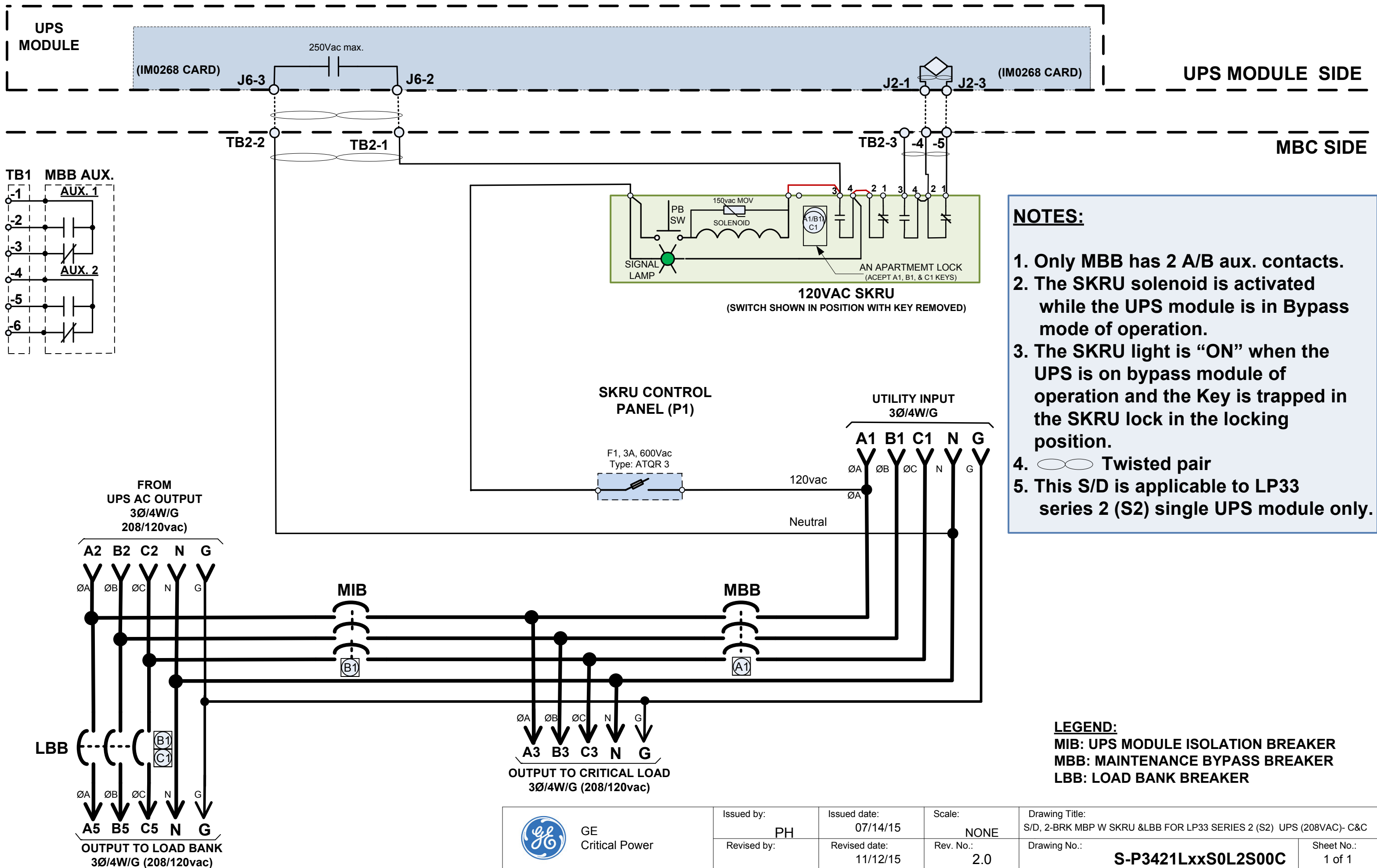


- NOTES:**
1. Only MBB has 2 A/B aux. contacts.
 2. The SKRU solenoid is activated while the UPS module is in Bypass mode of operation.
 3. The SKRU light is "ON" when the UPS is on bypass module of operation and the Key is trapped in the SKRU lock in the locking position.
 4. Twisted pair
 5. This S/D is applicable to LP33 series 2 (S2) single UPS module only.

LEGEND:
MIB: UPS MODULE ISOLATION BREAKER
MBB: MAINTENANCE BYPASS BREAKER

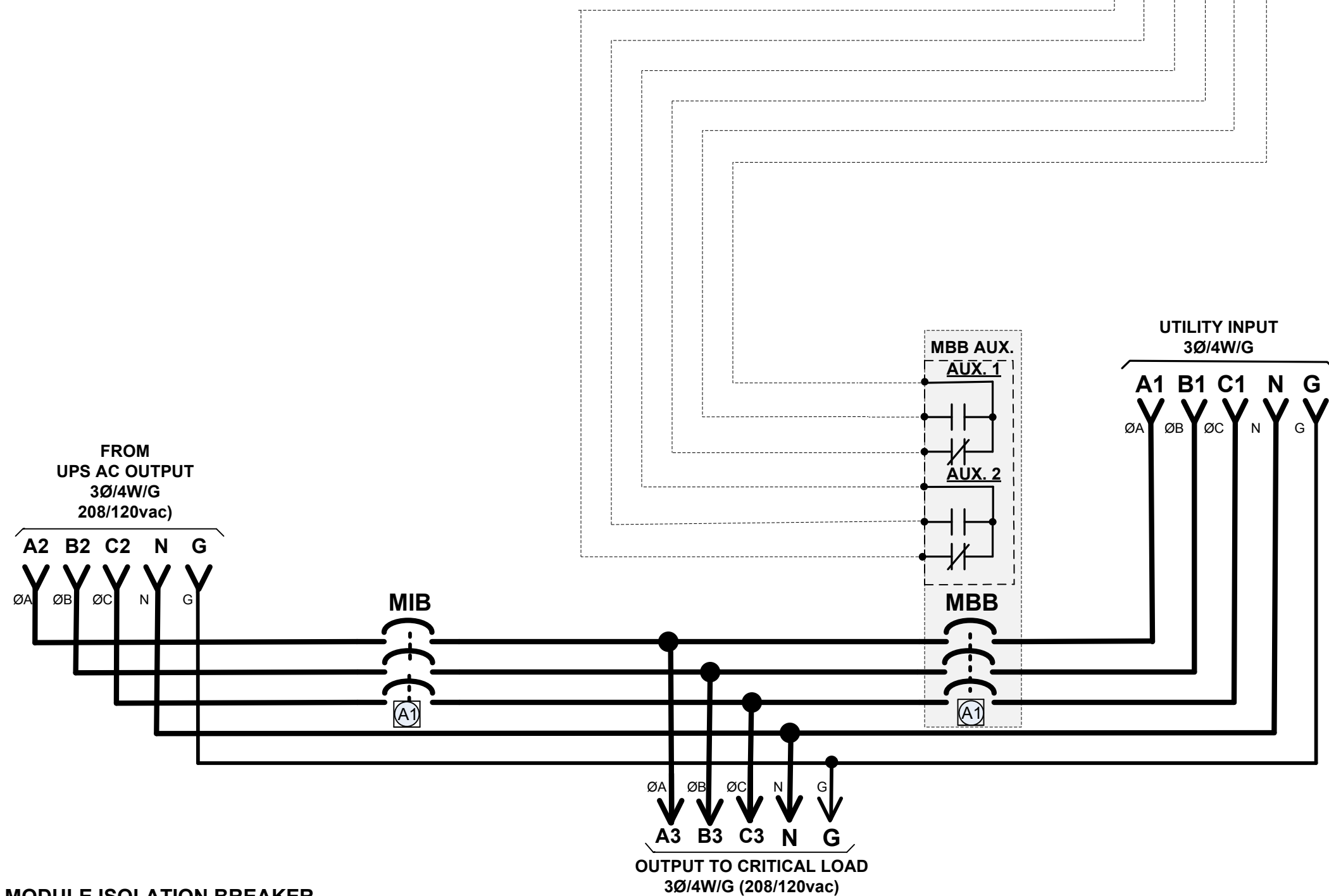
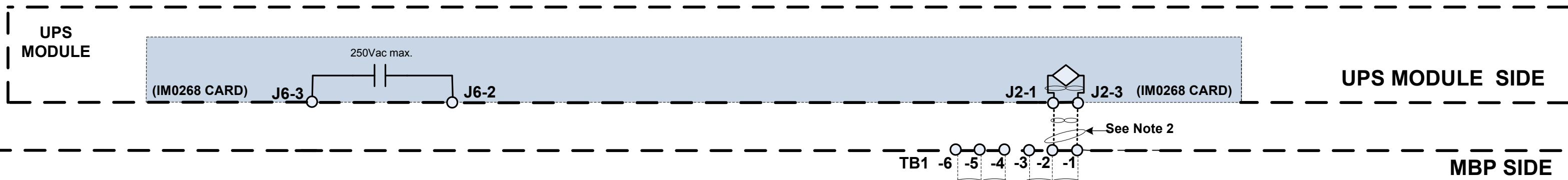
	Issued by:	Issued date:	Scale:	Drawing Title:
	PH	07/14/15	NONE	S/D, 2-BRK MBP W SKRU FOR LP33 SERIES 2 (S2) UPS (208VAC)- C&C
	Revised by:	Revised date:	Rev. No.:	Drawing No.:
		11/12/15	2.0	S-P3421LxxS002S00C
				Sheet No.: 1 of 1



- NOTES:**
1. Only MBB has 2 A/B aux. contacts.
 2. The SKRU solenoid is activated while the UPS module is in Bypass mode of operation.
 3. The SKRU light is "ON" when the UPS is on bypass module of operation and the Key is trapped in the SKRU lock in the locking position.
 4. Twisted pair
 5. This S/D is applicable to LP33 series 2 (S2) single UPS module only.

LEGEND:
MIB: UPS MODULE ISOLATION BREAKER
MBB: MAINTENANCE BYPASS BREAKER
LBB: LOAD BANK BREAKER

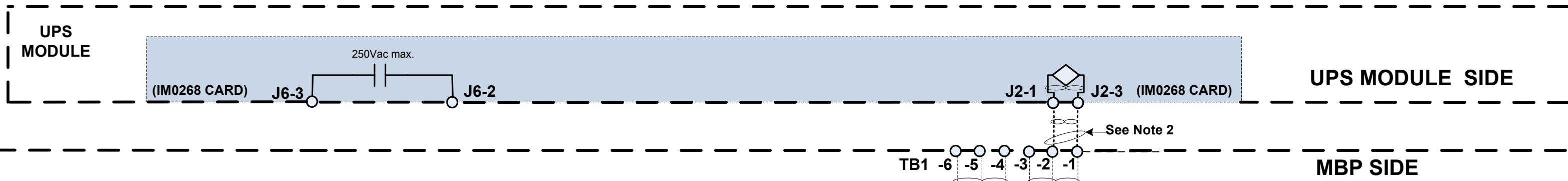
 GE Critical Power	Issued by:	Issued date:	Scale:	Drawing Title:
	PH	07/14/15	NONE	S/D, 2-BRK MBP W SKRU & LBB FOR LP33 SERIES 2 (S2) UPS (208VAC)- C&C
	Revised by:	Revised date:	Rev. No.:	Drawing No.:
		11/12/15	2.0	S-P3421LxxS0L2S00C
				Sheet No.:
				1 of 1



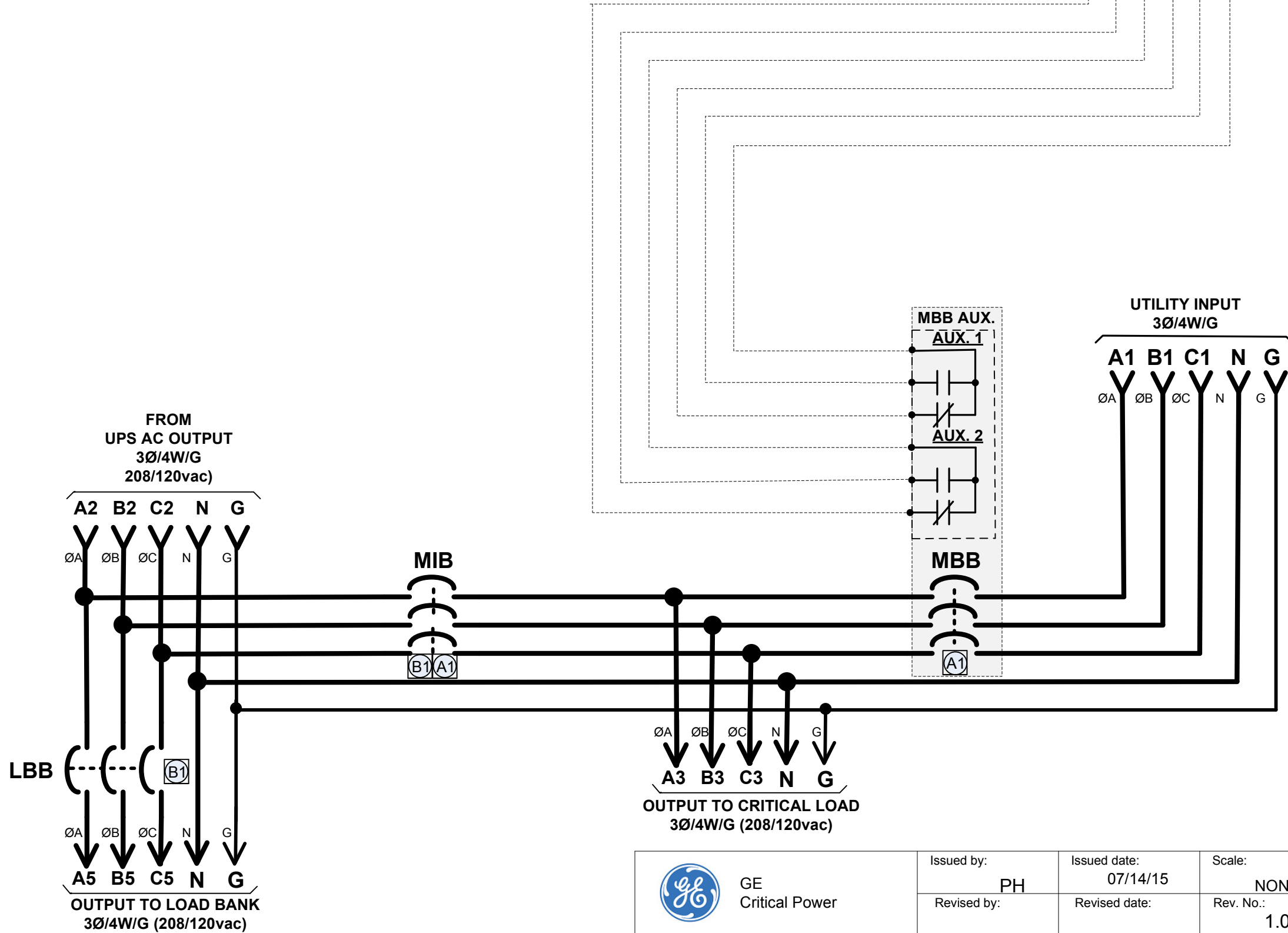
- NOTES:**
1. Only MBB has 2 A/B aux. contacts.
 2. **Optional:** For GE field engineer uses only to prevent the UPS module from transferring to normal mode during troubleshooting the MBP while the system is on Maintenance Bypass mode of operation. CIC card is required on the UPS module. **This jumper must be removed after the test is completed.**
 3. Twisted pair
 4. This S/D is applicable to LP33 series 2 (S2) UPS module only.

LEGEND:
MIB: UPS MODULE ISOLATION BREAKER
MBB: MAINTENANCE BYPASS BREAKER

GE Critical Power	Issued by:	Issued date:	Scale:	Drawing Title:
	PH	07/14/15	NONE	S/D, 2-BRK MBP W KIRK KEY FOR LP33 SERIES 2 (S2) UPS (208VAC)- C&C
	Revised by:	Revised date:	Rev. No.:	Drawing No.:
			1.0	S-P3421LxxS002K00C
				Sheet No.: 1 of 1

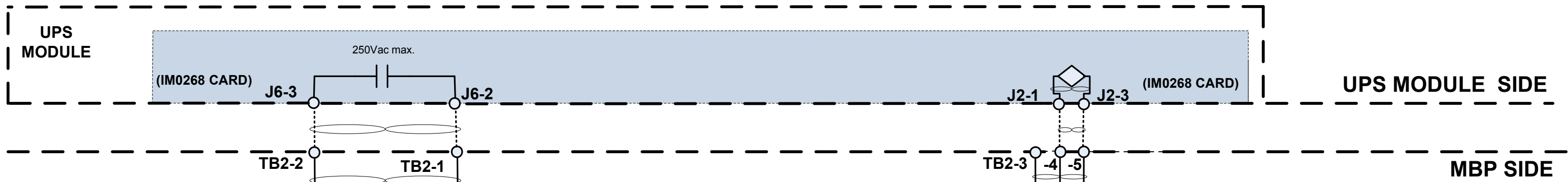


- NOTES:**
1. Only MBP has 2 A/B aux. contacts.
 2. **Optional: For GE field engineer uses only to prevent the UPS module from transferring to normal mode during troubleshooting the MBP while the system is on Maintenance Bypass mode of operation. CIC card is required on the UPS module. This jumper must be removed after the test is completed.**
 3. Twisted pair
 4. This S/D is applicable to LP33 series 2 (S2) UPS module only.

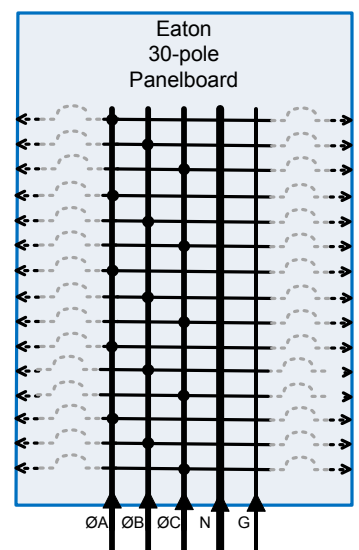
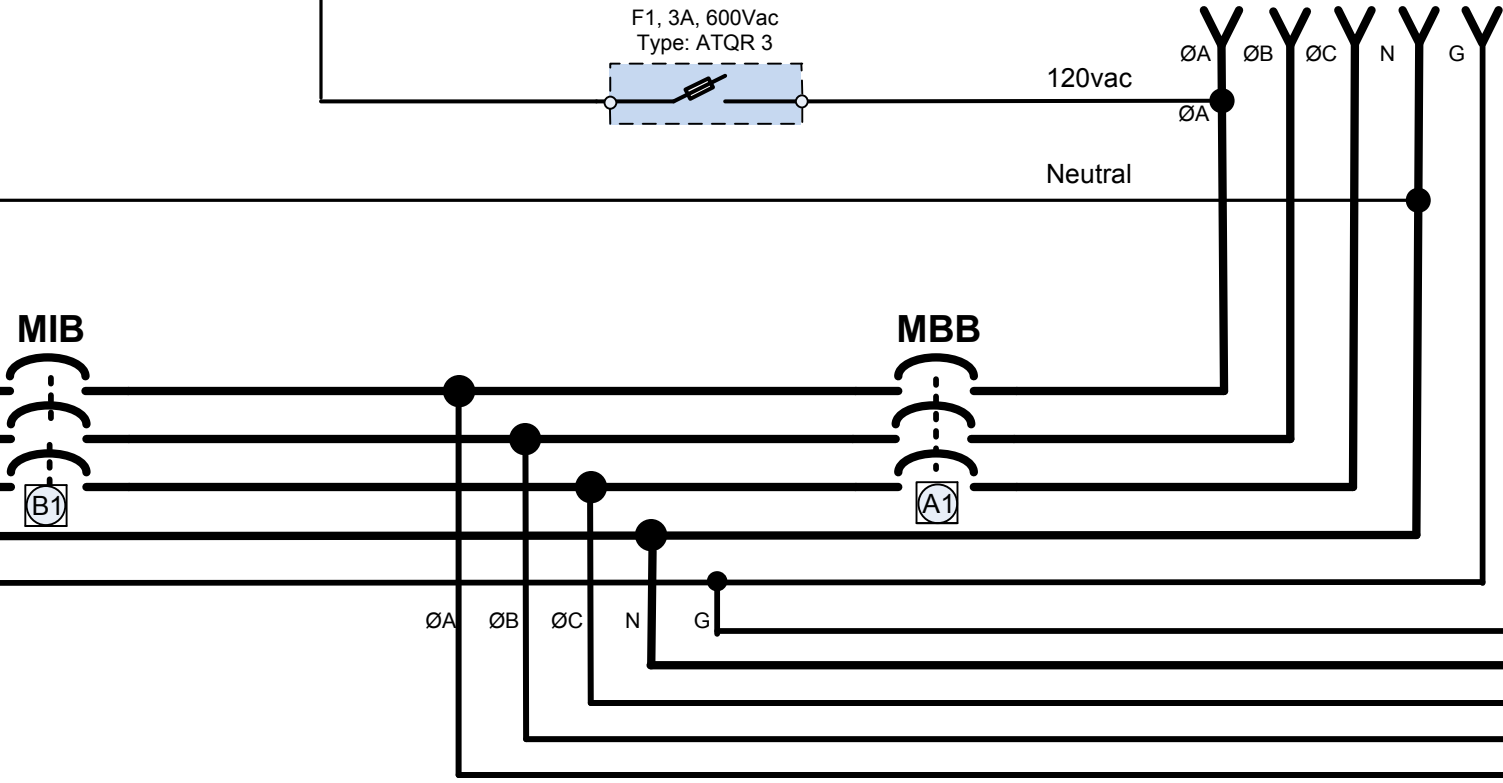
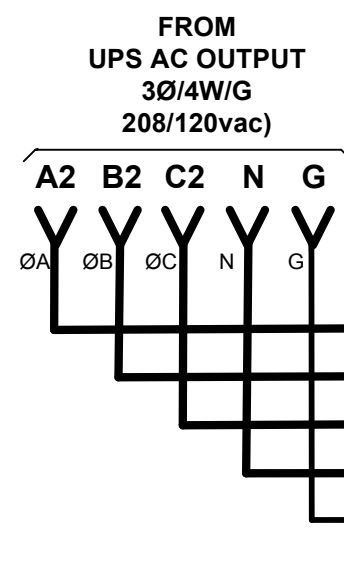
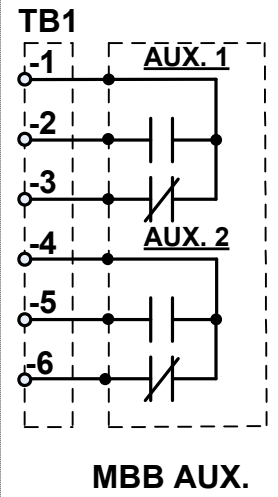
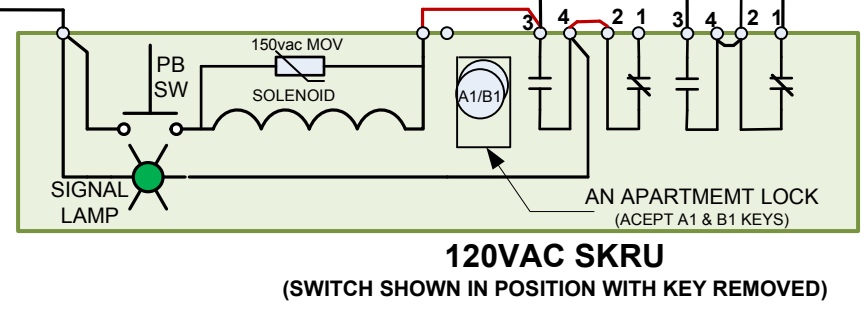


LEGEND:
 MIB: UPS MODULE ISOLATION BREAKER
 MBB: MAINTENANCE BYPASS BREAKER
 LBB: LOAD BANK BREAKER

GE Critical Power	Issued by:	Issued date:	Scale:	Drawing Title:
	PH	07/14/15	NONE	S/D, 2-BRK MBP W KK & LBB FOR LP33 SERIES 2 (S2) UPS (208VAC)- C&C
	Revised by:	Revised date:	Rev. No.:	Drawing No.:
			1.0	S-P3421LxxS0L2K00C
				Sheet No.: 1 of 1



- NOTES:**
1. Only MBB has 2 A/B aux. contacts.
 2. The SKRU solenoid is activated while the UPS module is in Bypass mode of operation.
 3. The SKRU light is "ON" when the UPS is on bypass module of operation and the Key is trapped in the SKRU lock in the locking position.
 4. Twisted pair
 5. This S/D is applicable to LP33 series 2 (S2) single UPS module only.

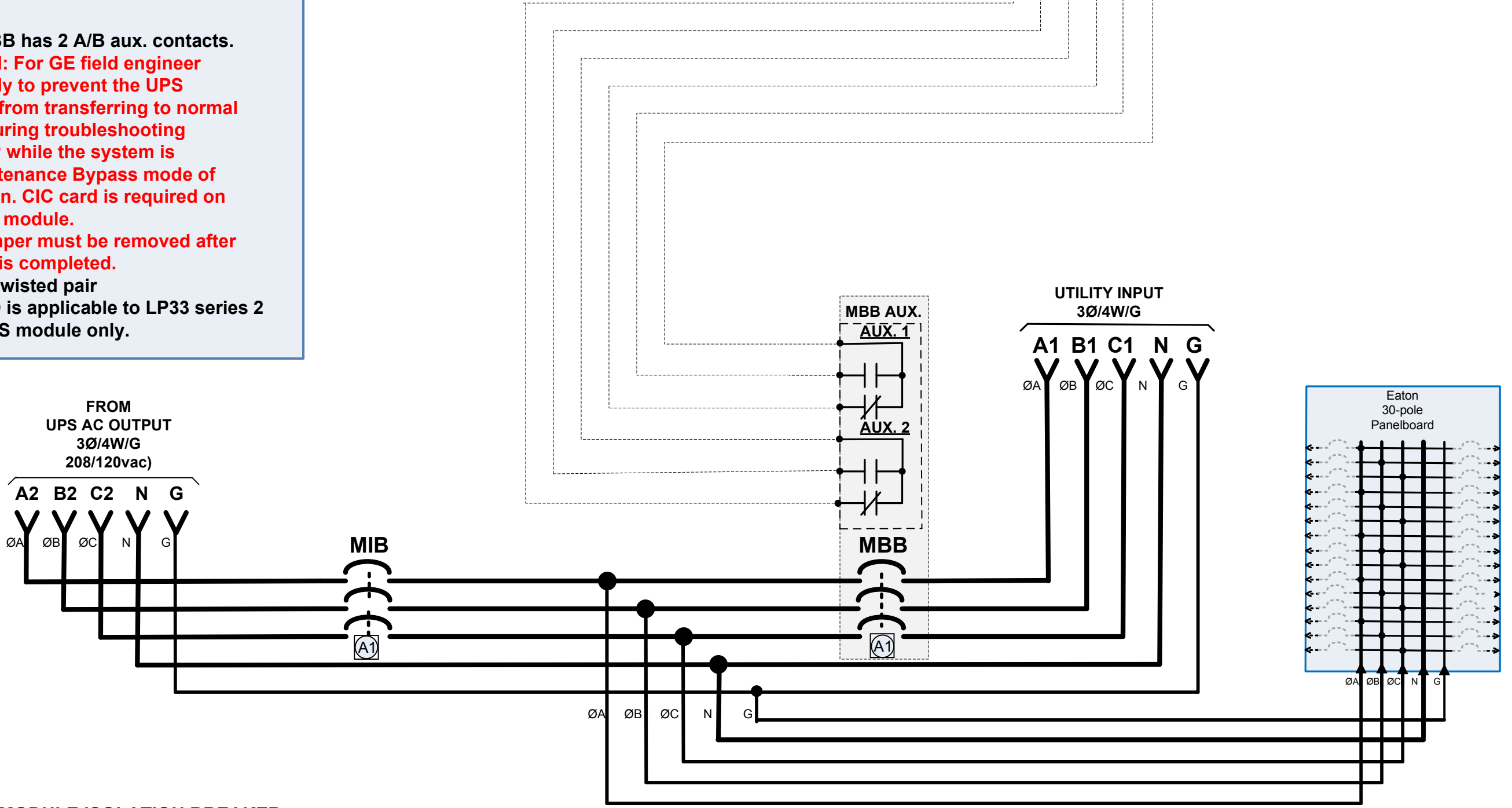


LEGEND:
MIB: UPS MODULE ISOLATION BREAKER
MBB: MAINTENANCE BYPASS BREAKER

GE Critical Power	Issued by:	PH	Issued date:	07/14/15	Scale:	NONE	Drawing Title:	S/D, 2-BRK MBP W SKRU & DP FOR LP33 SERIES 2 (S2) UPS (208VAC)- C&C	
	Revised by:		Revised date:	11/12/15	Rev. No.:	2.0	Drawing No.:	S-P3421LxxS002SD3C	
								Sheet No.:	1 of 1

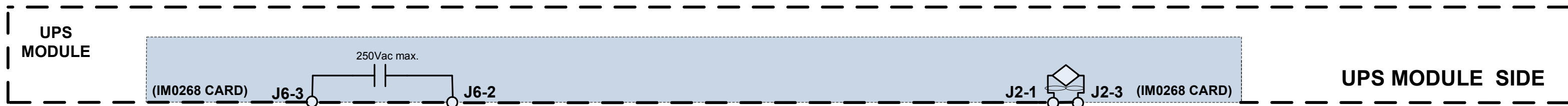


- NOTES:**
1. Only MBP has 2 A/B aux. contacts.
 2. **Optional: For GE field engineer uses only to prevent the UPS module from transferring to normal mode during troubleshooting the MBP while the system is on Maintenance Bypass mode of operation. CIC card is required on the UPS module. This jumper must be removed after the test is completed.**
 3. Twisted pair
 4. This S/D is applicable to LP33 series 2 (S2) UPS module only.



LEGEND:
 MIB: UPS MODULE ISOLATION BREAKER
 MBB: MAINTENANCE BYPASS BREAKER

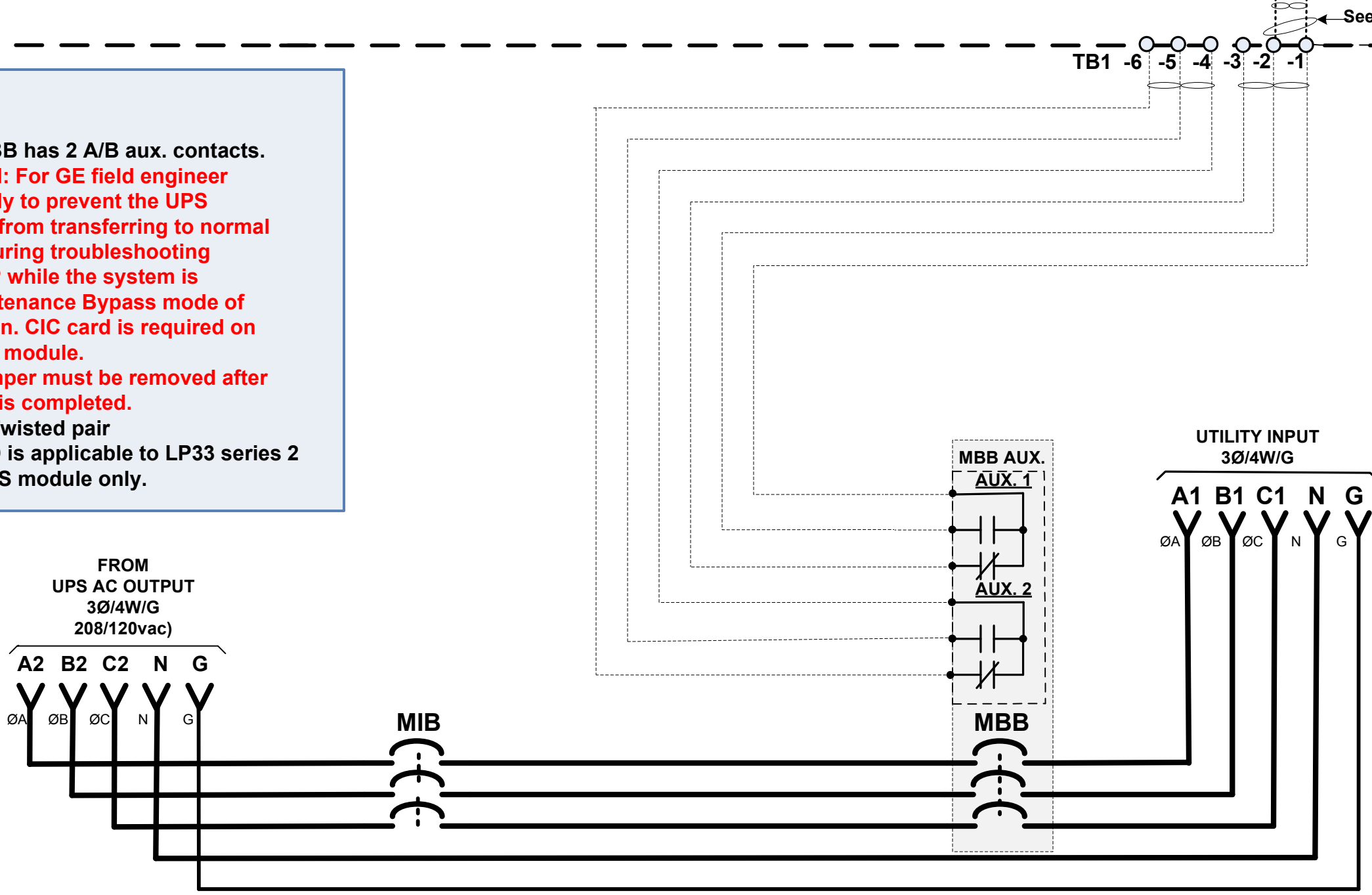
GE Critical Power	Issued by:	Issued date:	Scale:	Drawing Title:	Sheet No.: 1 of 1
	Revised by:	Revised date:	Rev. No.:	Drawing No.:	
	PH	07/14/15	NONE	S/D, 2-BRK MBP w KK & DP FOR LP33 SERIES 2 (S2) UPS (208VAC)- C&C	
			1.0	S-P3421LxxS002KD3C	



UPS MODULE SIDE

MBP SIDE

- NOTES:**
1. Only MBB has 2 A/B aux. contacts.
 2. **Optional: For GE field engineer uses only to prevent the UPS module from transferring to normal mode during troubleshooting the MBP while the system is on Maintenance Bypass mode of operation. CIC card is required on the UPS module. This jumper must be removed after the test is completed.**
 3. Twisted pair
 4. This S/D is applicable to LP33 series 2 (S2) UPS module only.



LEGEND:
 MIB: UPS MODULE ISOLATION BREAKER
 MBB: MAINTENANCE BYPASS BREAKER

GE Critical Power	Issued by:	Issued date:	Scale:	Drawing Title:
	PH	07/14/15	NONE	S/D, 2-BRK MBP W/O INTERLOCKED FOR LP33 SERIES 2 (S2) UPS (208VAC)- C&C
	Revised by:	Revised date:	Rev. No.:	Drawing No.:
			1.0	S-P3421LxxS002000C
				Sheet No.:
				1 of 1