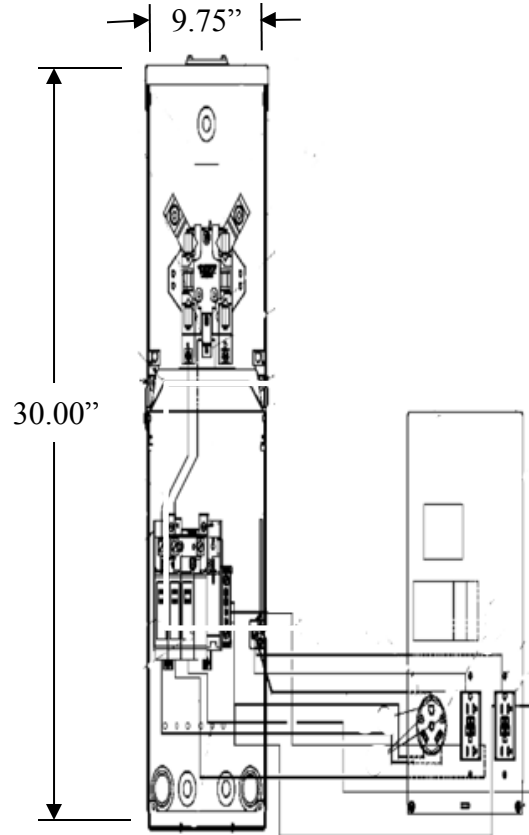
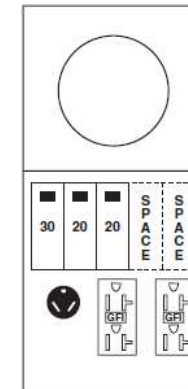


**Front View
Interior**

**Front View
Inside Cover**



Configuration



Wire Range Size

CONNECTOR	COPPER		ALUMINUM	
	SOLID	STRAND	SOLID	STRAND
LINE	---	6-1/0	---	6-1/0
LOAD	14-10	14-10	---	---
NEUTRAL	LARGE HOLE	12-8	12-1/0	10-8
NEUTRAL	SMALL HOLE	14-8	14-4	12-8
EQUIP. GRND.		12-8	12-2	12-8

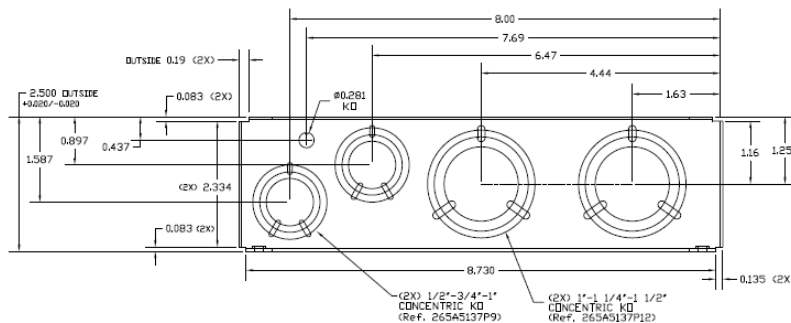
Receptacles

Circuit Protection

R32U
(2) 5-20R2GFCI

THQL1130
(2) THQL1120
(2) SPACE THQL1120

Bottom View



MIDWEST RV EQUIP METALLIC 100A SURFACE RING MTR
30/(2)20A GFI RECPT 120V 1PH3W UL LISTED G90 N3R

CAT NO	DWG DATE	REV #
M031C010	04/10/2017	01