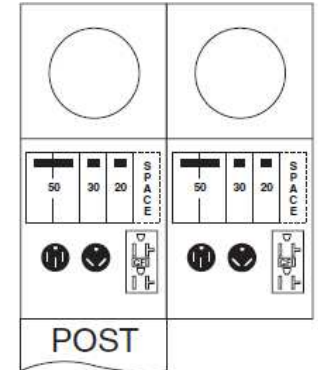


### Configuration



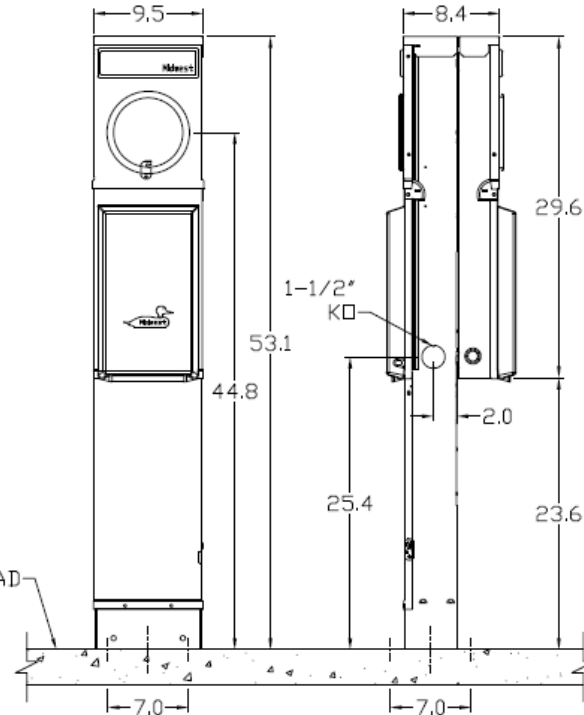
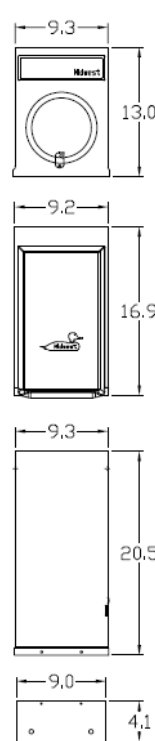
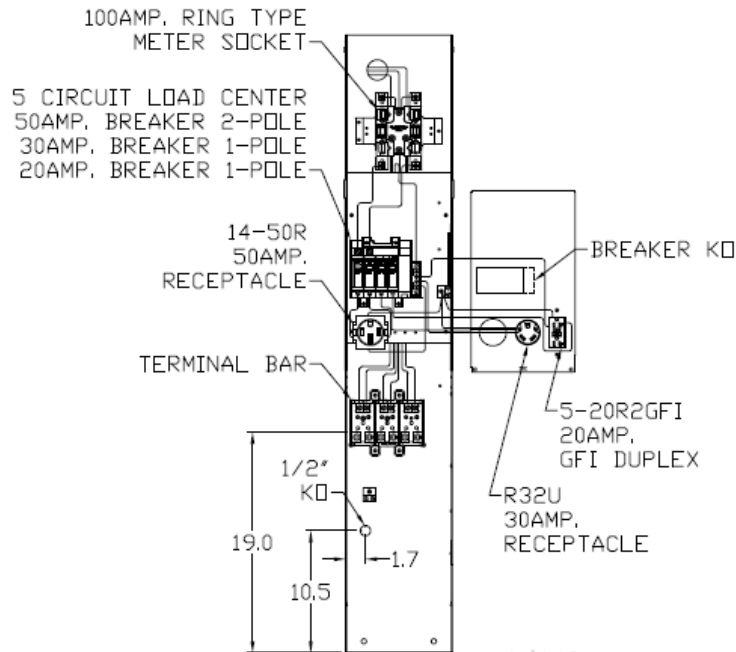
**Front View Interior**

**Front View Inside Covers**

**Front View External Covers**

**Front View External**

**Side View**



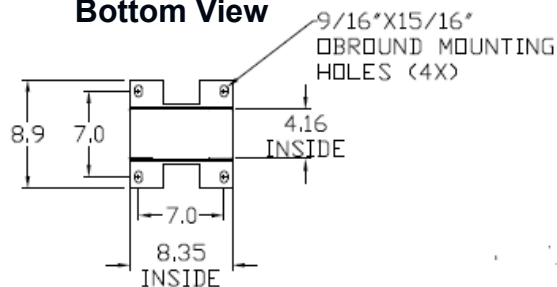
### Receptacles

BR54U
R32U
5-20R2GFCI

### Circuit Protection

THQL2150
THQL1130
THQL1120, (1) SPACE

**Bottom View**



### Wire Range Size

CONNECTOR	COPPER		ALUMINUM	
	SOLID	STRAND	SOLID	STRAND
LINE	---	6-1/0	---	6-1/0
LOAD	14-10	14-10	---	---
NEUTRAL LARGE HOLE	12-8	12-1/0	10-8	10-1/0
NEUTRAL SMALL HOLE	14-8	14-4	12-8	12-4
POST LINE CONNECTORS SUITABLE FOR LOOP FEED	#6-350	KCMIL	#6-350	KCMIL
EQUIP. GRND. POST	14-2/0	14-2/0	14-2/0	14-2/0

NOTES: PAD MOUNTED POST



MIDWEST METALLIC 100A PAD MOUNTED PEDESTAL BACK-TO-BACK METER 50/30/20A REC 120/240V 1PH UL LISTED

CAT NO	DWG DATE	REV #
M075CB4010	04/25/2017	01