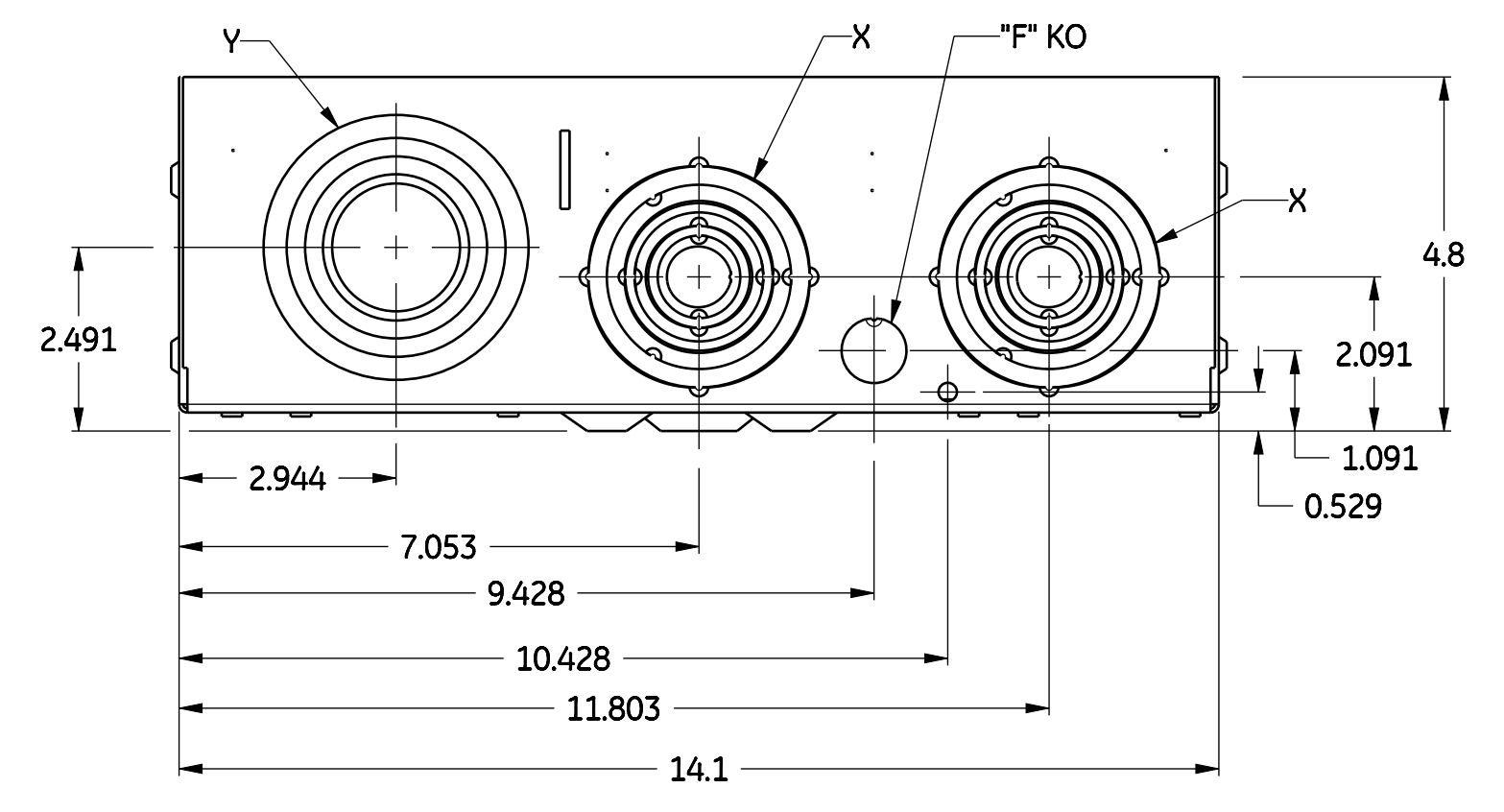
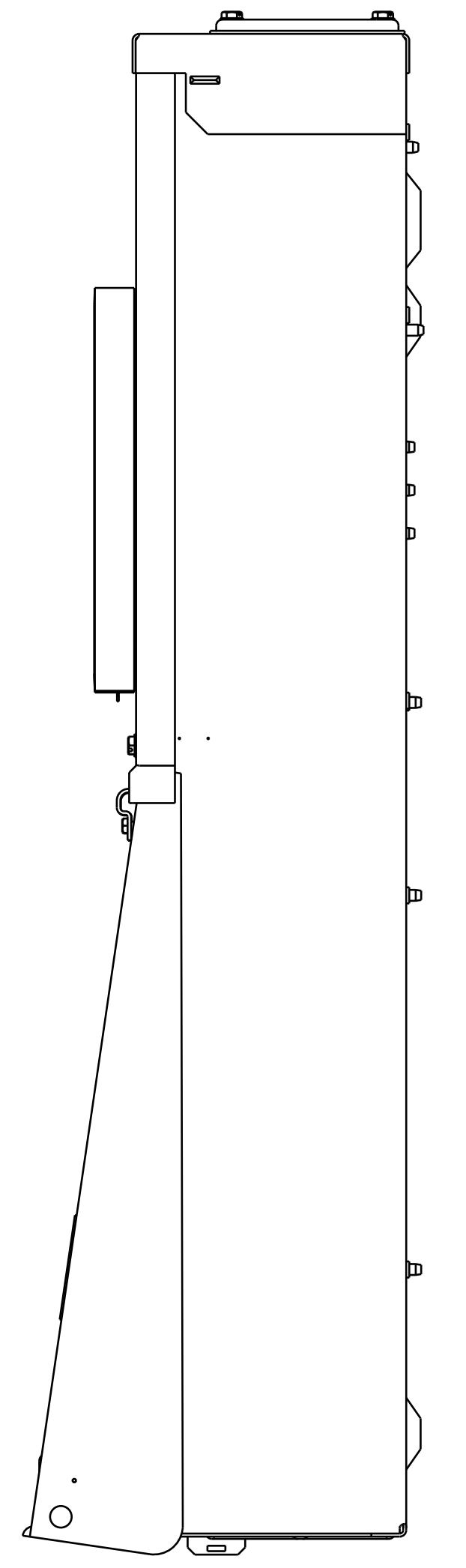
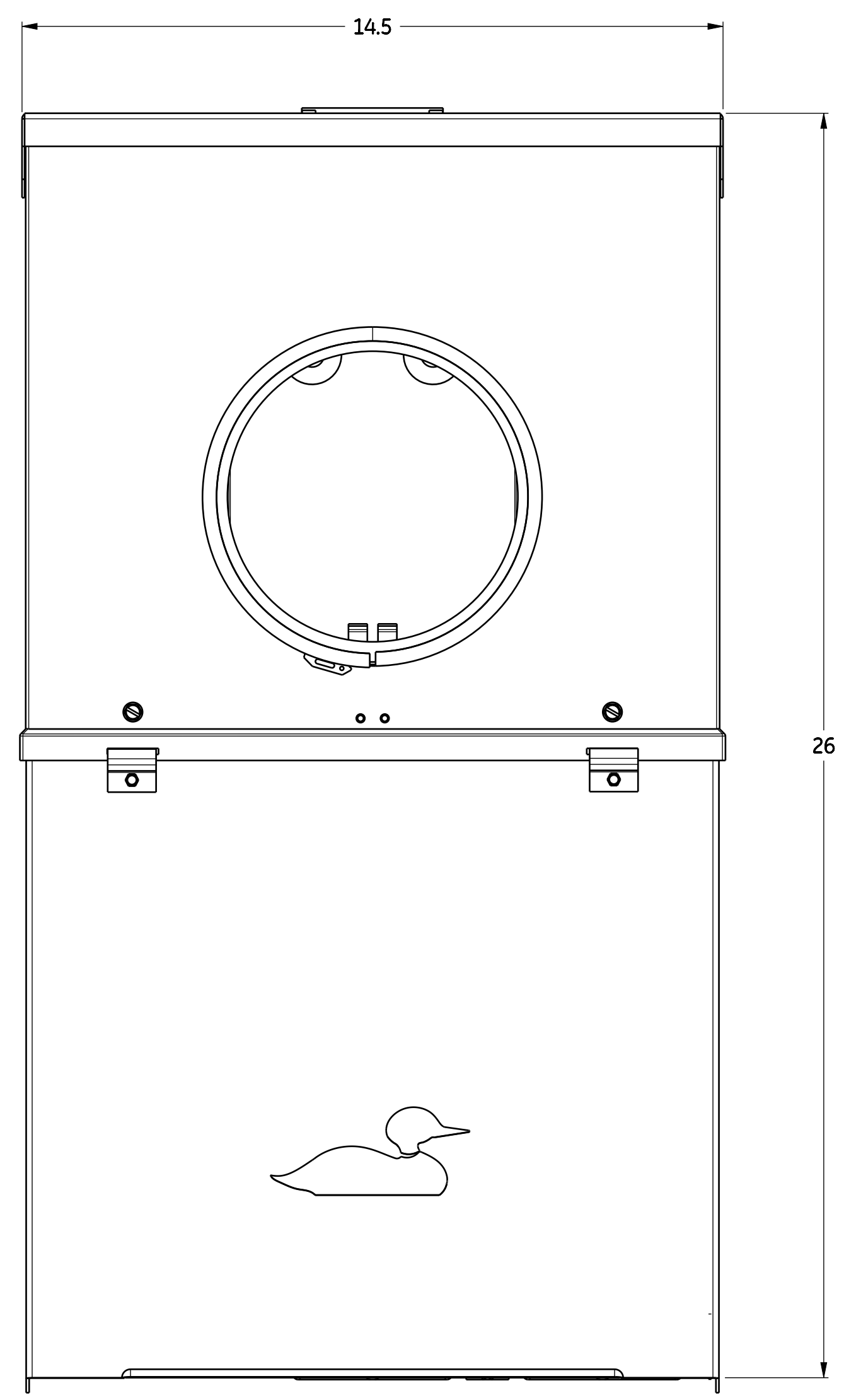
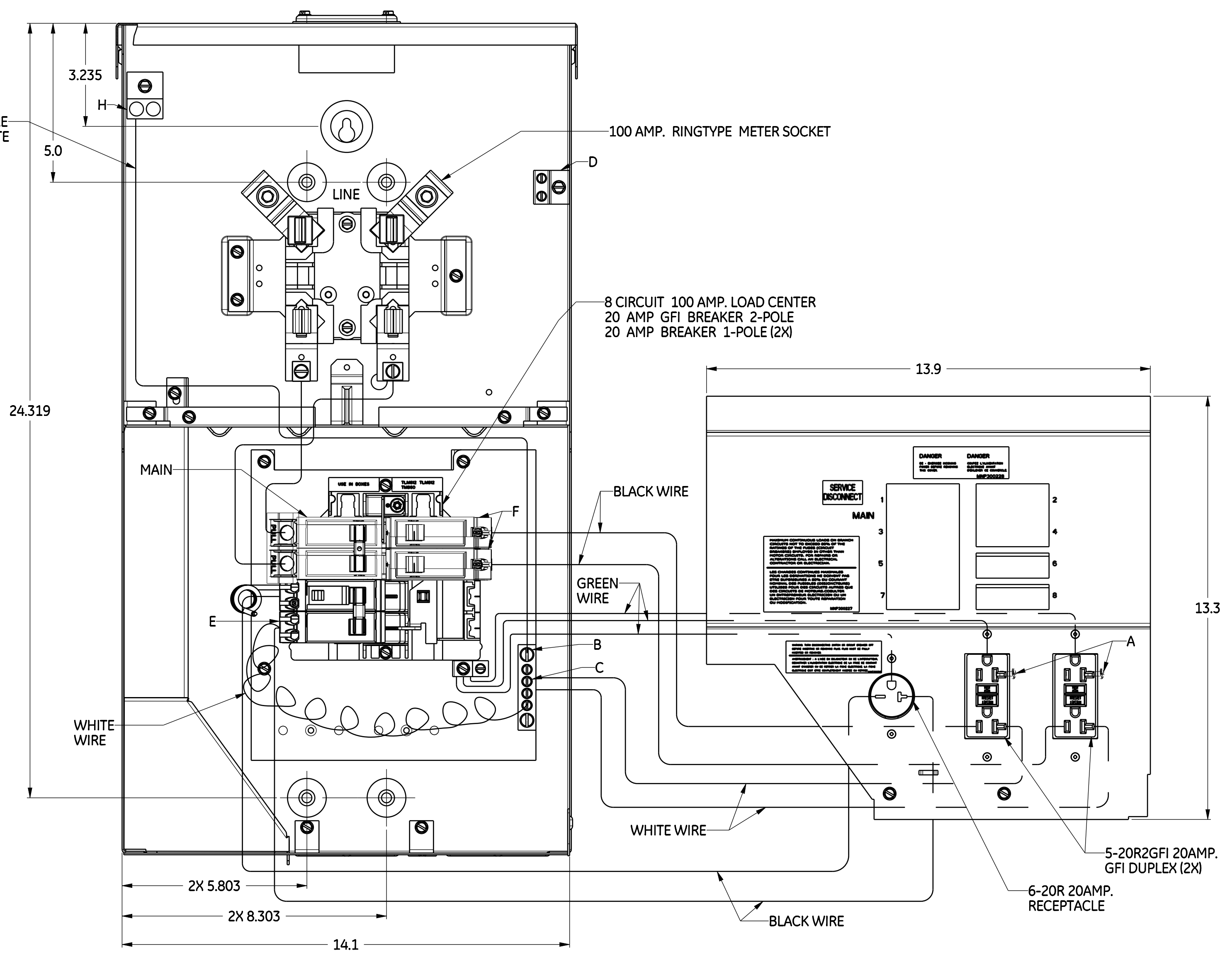
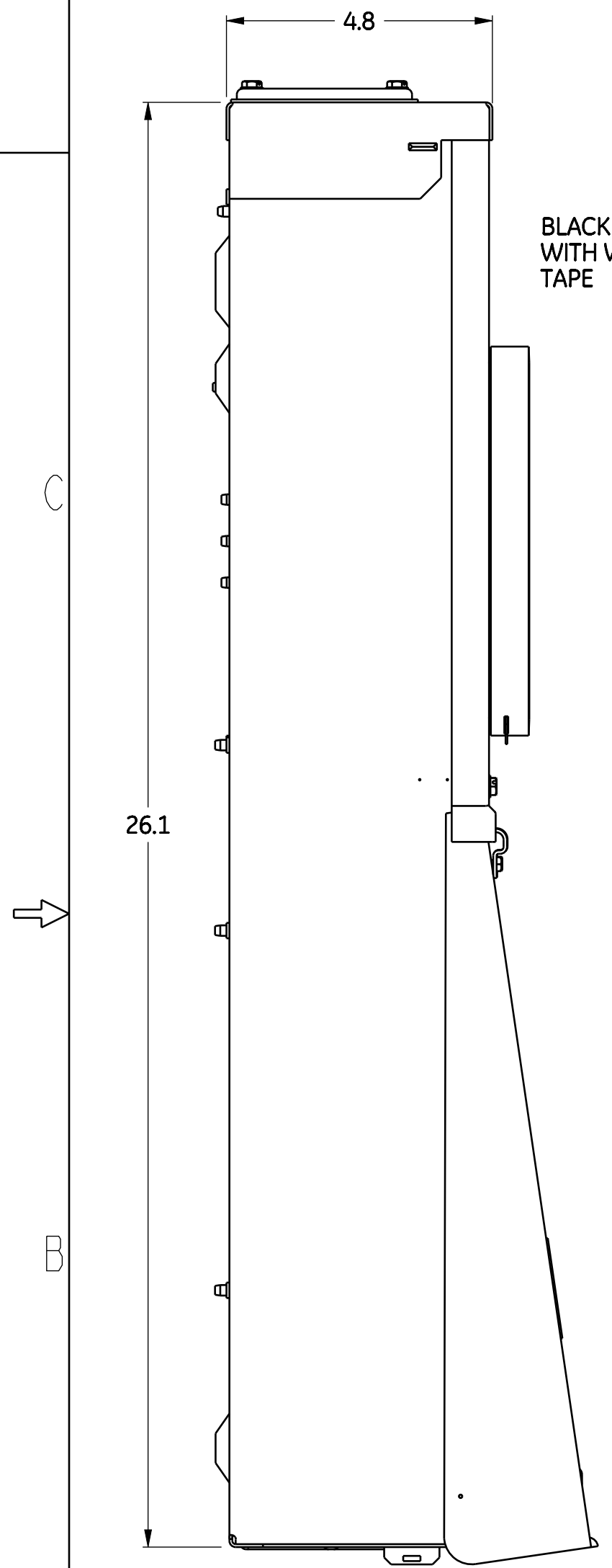
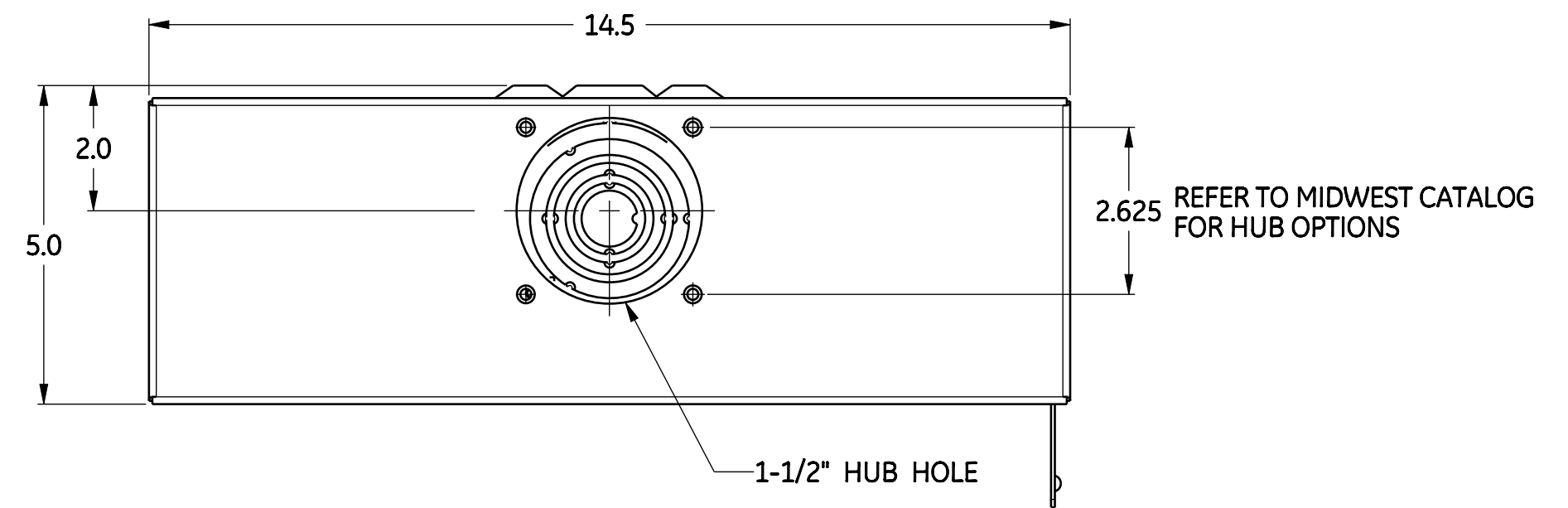


GE PROPRIETARY AND CONFIDENTIAL INFORMATION  
 This document is the property of General Electric Company (GE) and contains proprietary information of GE. This document is loaned on the express condition that neither it nor the information contained therein shall be disclosed to others without the express written consent of GE Energy, and that the information shall be used by the recipient only as approved expressly by GE Energy. This document shall be returned to GE upon its request. This document may be subject to certain restrictions under U.S. export control laws and regulations.

DRAWING NO. M138CB2033		REV B		SHEET 1	
REVISIONS		DATE	APPROVED		
REV. A	ECN000264884	Siva.Y	1/06/2023	WILL	
REV. B	ECN000276669	SIVAY	07/04/2023	WILL	



CONNECTOR	COPPER		ALUMINIUM	
	SOLID	STRANDED	SOLID	STRANDED
LINE	-	6-350	-	6-350
LOAD - "A"	14-10	14-10	-	-
NEUTRAL - "B" LARGE HOLE	12-8	12-1/0	10-8	10-1/0
NEUTRAL - "C" SMALL HOLE	14-8	14-4	12-8	12-4
EQUIP. GRND - "D"	12-8	12-2	12-8	12-2
TWIN TANG LUG - "H"	-	14-1/0	-	14-1/0

F= 1/2" KO
X= 1/2", 3/4", 1", 1-1/4", 1-1/2", 2", 2-1/2" KO
Y= 1-1/4", 1-1/2", 2", 2-1/2", 3" KO

	CIRCUIT PROTECTION	NAME	QUANTITY
MAIN (1 & 3)	THQL21100	2P 120/240V 100AMP	1
"E" 5 & 7	THQL2120GFT	GFCI 2P 20A 120V	1
"F" (2 & 4)	THQL1120	1 POLE 120/240V 20AMP	2

FOR ADDITIONAL INFO REFER TO:		SIGNATURES		DATE
APPLIED PRACTICES	DIMENSIONS ARE IN INCHES	MODEL	Siva.Y	01-11-23
UNLESS OTHERWISE SPECIFIED IN DRAWING		DETAIL	Siva.Y	01-06-23
TOLERANCE ON:		CHECKED	Will.L	02-14-23
1 PL DECIMALS ± 0.1		ENGRG		
2 PL DECIMALS ± 0.030		MFG		
3 PL DECIMALS ± 0.010		QUALITY		
ANGLES ± 1/2°		ISSUED		
FRACTIONS ±				
FINISH		DRAWING FILE	M138CB2033M01_OD	
CRITICAL TO QUALITY CHARACTERISTIC		SOLID MODEL	M138CB2033M01	

**Midwest Electric Products**

TITLE: M138CB2033M01 OUTLINE DRAWING/  
 14X26 100A 120/240 6-20R/20/20 GFCI

TEMPORARY POWER SERVICE EQUIPMENT

SIZE: D DRAWING: M138CB2033 REV: B

SCALE: 1:5 SHEET 1 OF 1

Part must conform to SI 900000 Sect. 4, Toxicity Procedure

