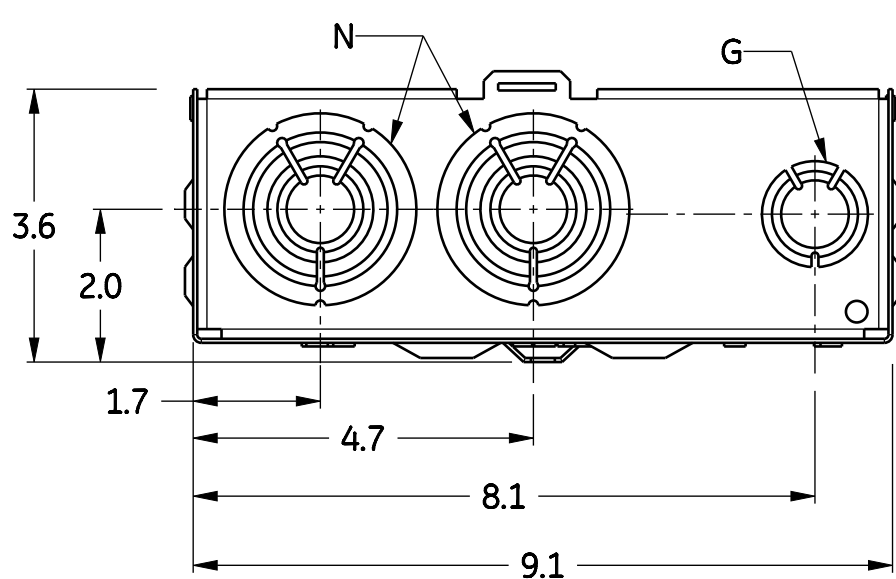
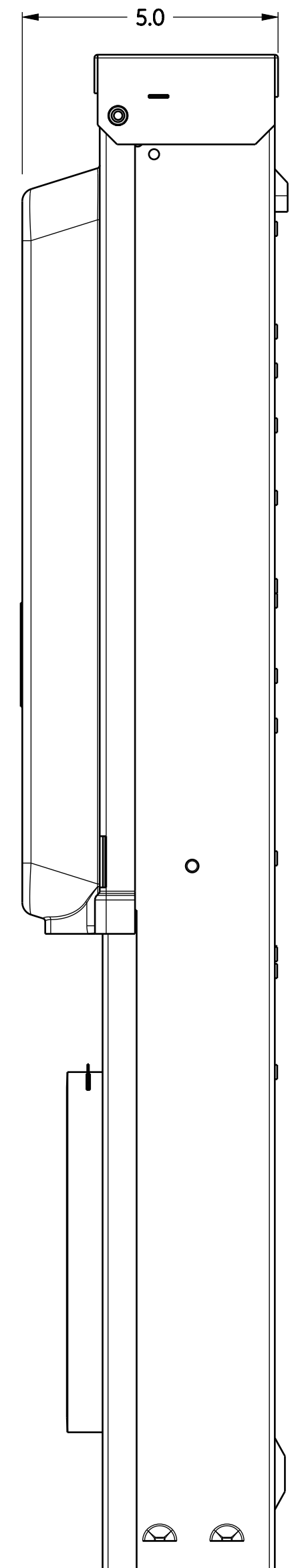
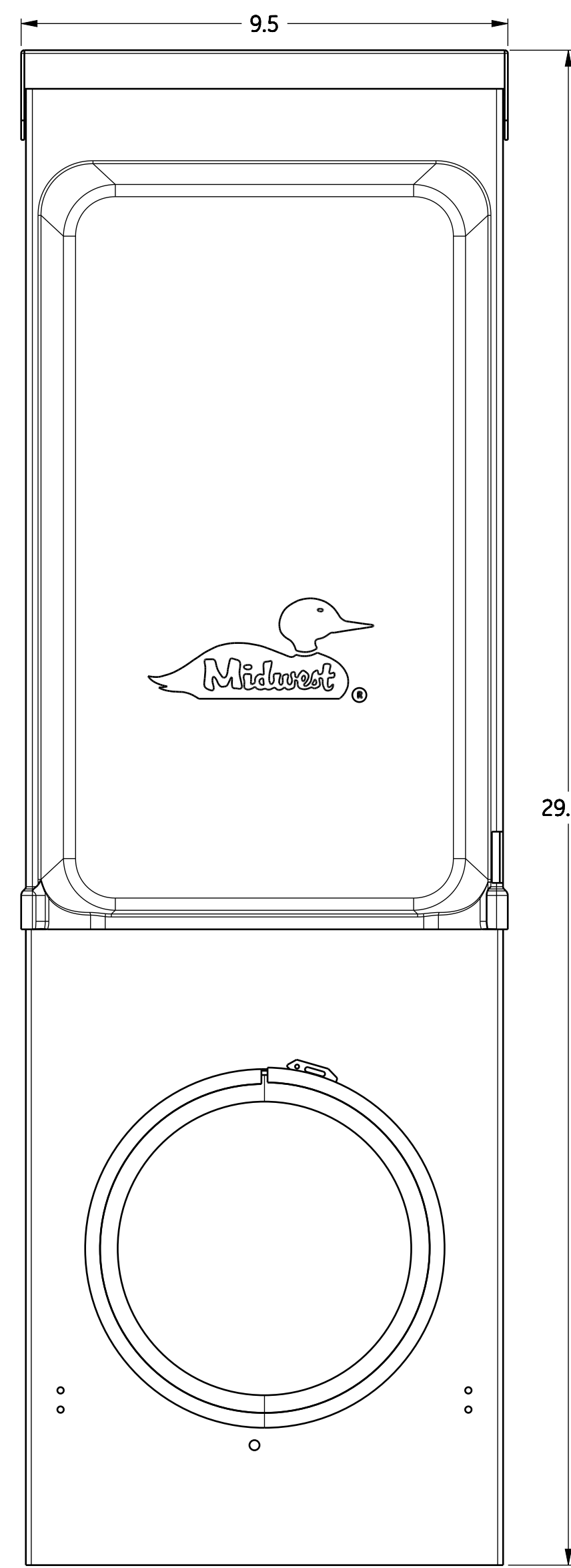
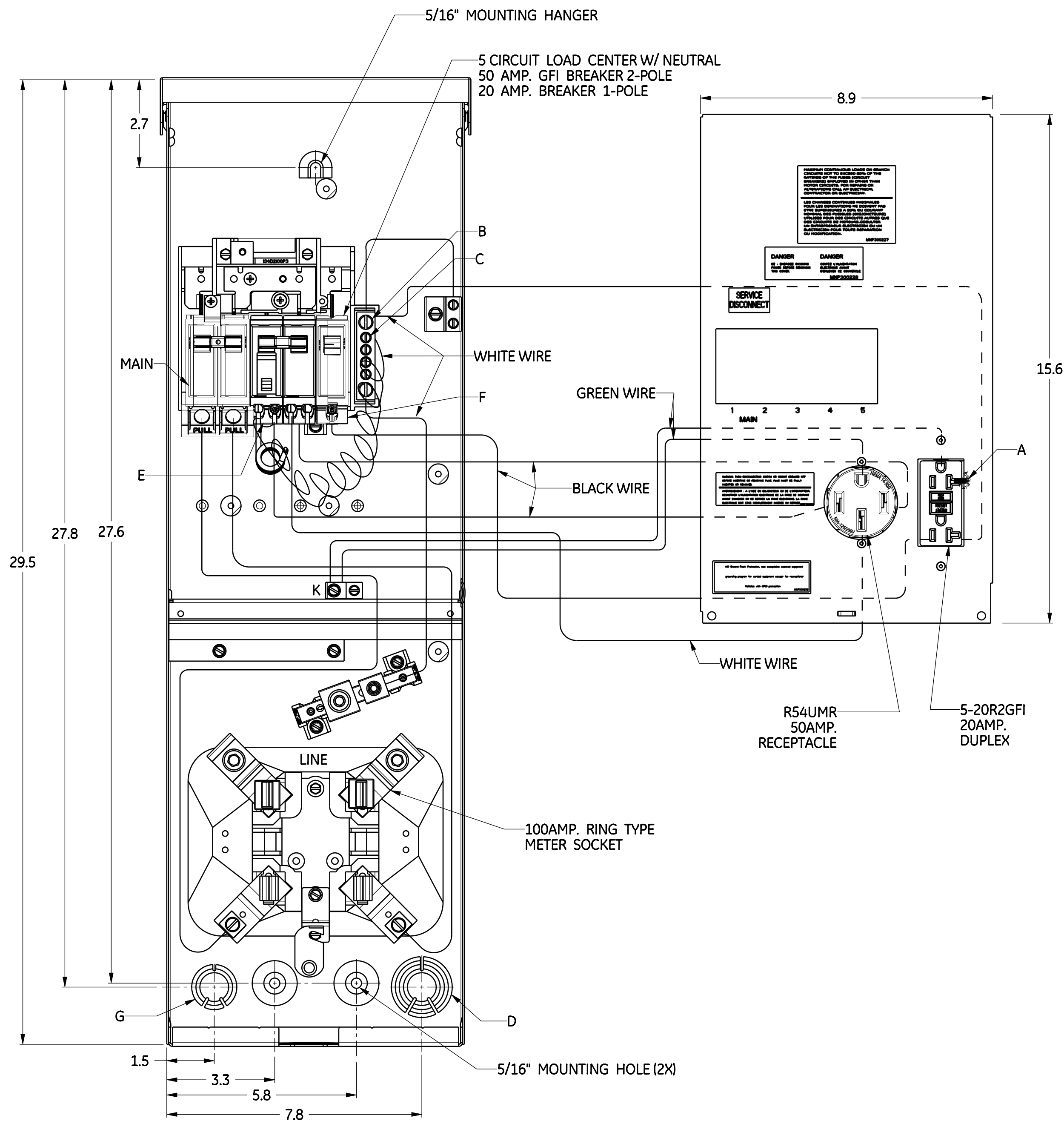
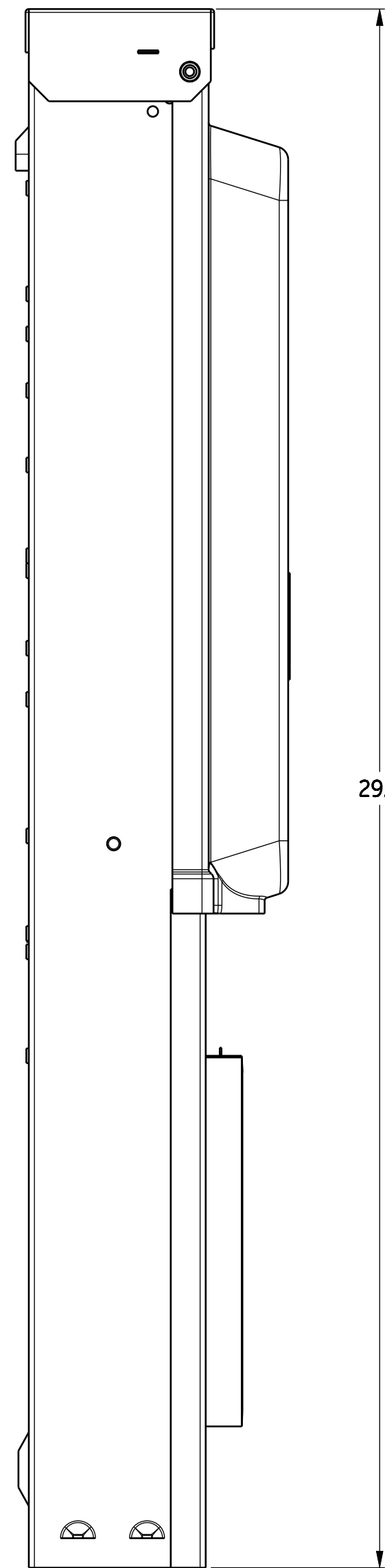
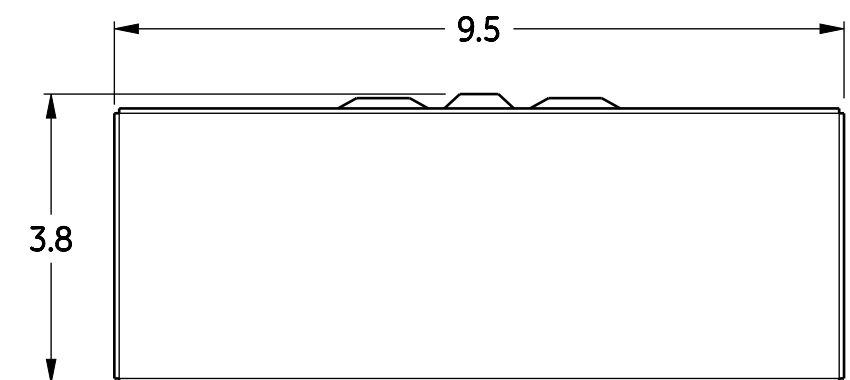


Fig. A
M155MBC033U
R54UMR, 20A GFCI



WIRE RANGE TABLE:

CONNECTOR	COPPER		ALUMINIUM	
	SOLID	STRANDED	SOLID	STRANDED
LINE	-	6-350	-	6-350
LOAD "A"	14-10	14-10	-	-
NEUTRAL "B" END HOLE	12-8	12-1/0	10-8	10-1/0
NEUTRAL "C" SIDE HOLE	14-8	14-4	12-10	12-4
EQUIP. GRND "K"	12-8	12-2	12-8	8-2
NEUTRAL "N"	-	1-300	-	1-300

KNOCKOUT TABLE:

G= 1/2", 3/4", 1" KO
N= 1/2", 3/4", 1", 1-1/4", 1-1/2", 2" KO
D= 3/4", 1", 1-1/4" KO

	CIRCUIT PROTECTION	NAME	QUANTITY
MAIN (1 & 2)	THQL2170	2P 120/240V 70 AMP	1
"E" 3 & 4	THQL2150GFT2	GFCI 2P 50A 120V	1
"F" 5	THQL1120	1 POLE 120/240V 20AMP	1

Midwest Electric Products

TITLE: M155MBC033UM01 OUTLINE DRAWING/ 70A 120/240V 9" GFCI RECPT&GFI W/MAIN BKR

TEMPORARY POWER SERVICE EQUIPMENT

SIZE: D MODEL: M155MBC033U REV: D

SCALE: 1:5 OUTLINE DRAWING SHEET 1 OF 1