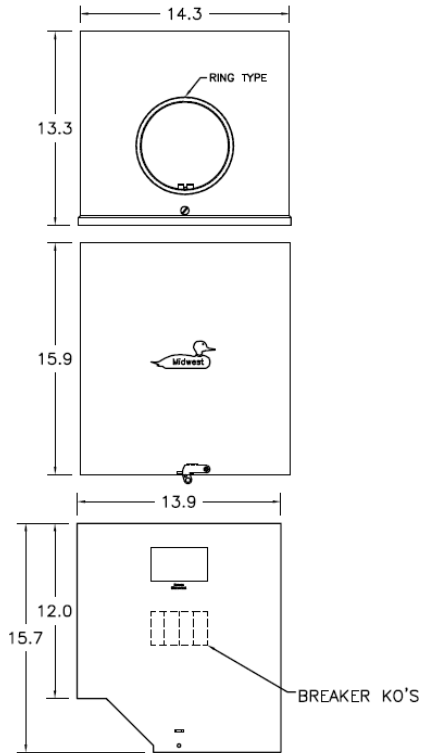
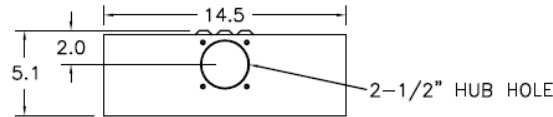


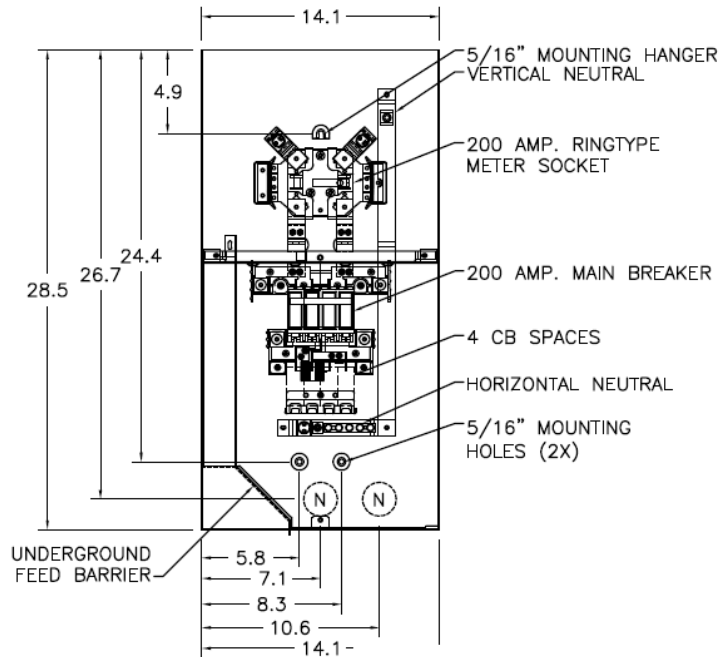
Front Covers View



Top View



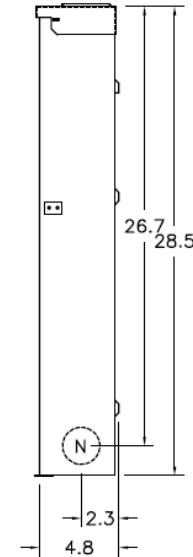
Front Interior View



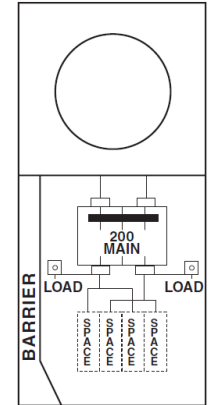
Knockouts

F= 1/2" KO
 Y= 1-1/4", 1-1/2", 2", 2-1/2", 3" KO
 N= 1/2", 3/4", 1", 1-1/4", 1-1/2", 2" KO
 X= 1/2", 3/4", 1", 1-1/4", 1-1/2", 2", 2-1/2" KO

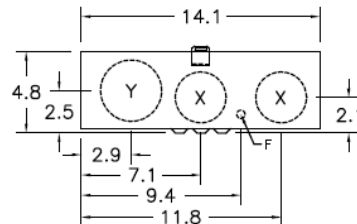
Side View



Configuration



Bottom View



Wire Range Size

CONNECTOR	COPPER		ALUMINUM	
	SOLID	STRAND	SOLID	STRAND
LINE METER SOCKET	-----	6-4/0	-----	6-4/0
LOAD BASE LUGS	-----	1-4/0	-----	1-4/0
NEUTRAL A	-----	1-4/0	-----	1-4/0
NEUTRAL/GRND. B	-----	6-2/0	-----	6-2/0
NEUTRAL/GRND. C	14-8	14-4	12-8	12-4



MIDWEST SERVICE EQUIP 200A SURFACE MOUNT RING METERED OH/UG UL LISTED 120/240V 4 CKT N3R

CAT NO	DWG DATE	REV #
M281CB1	07/11/2016	01