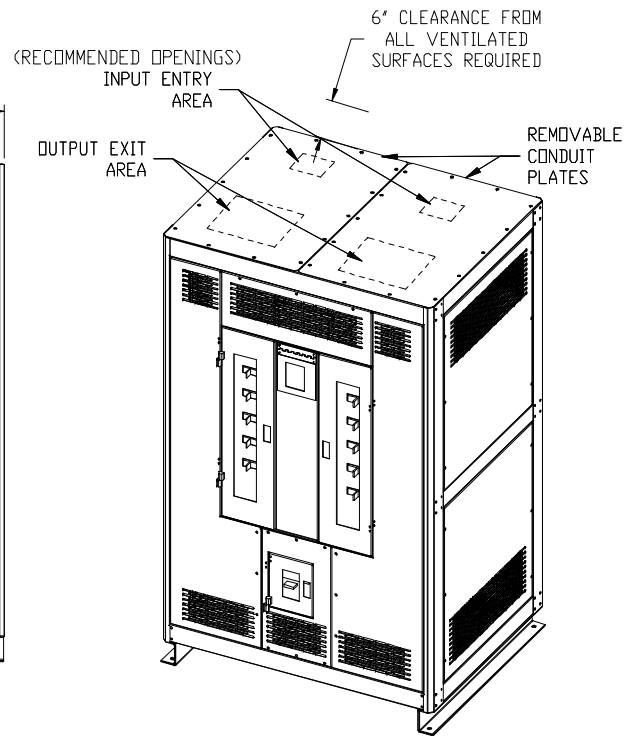
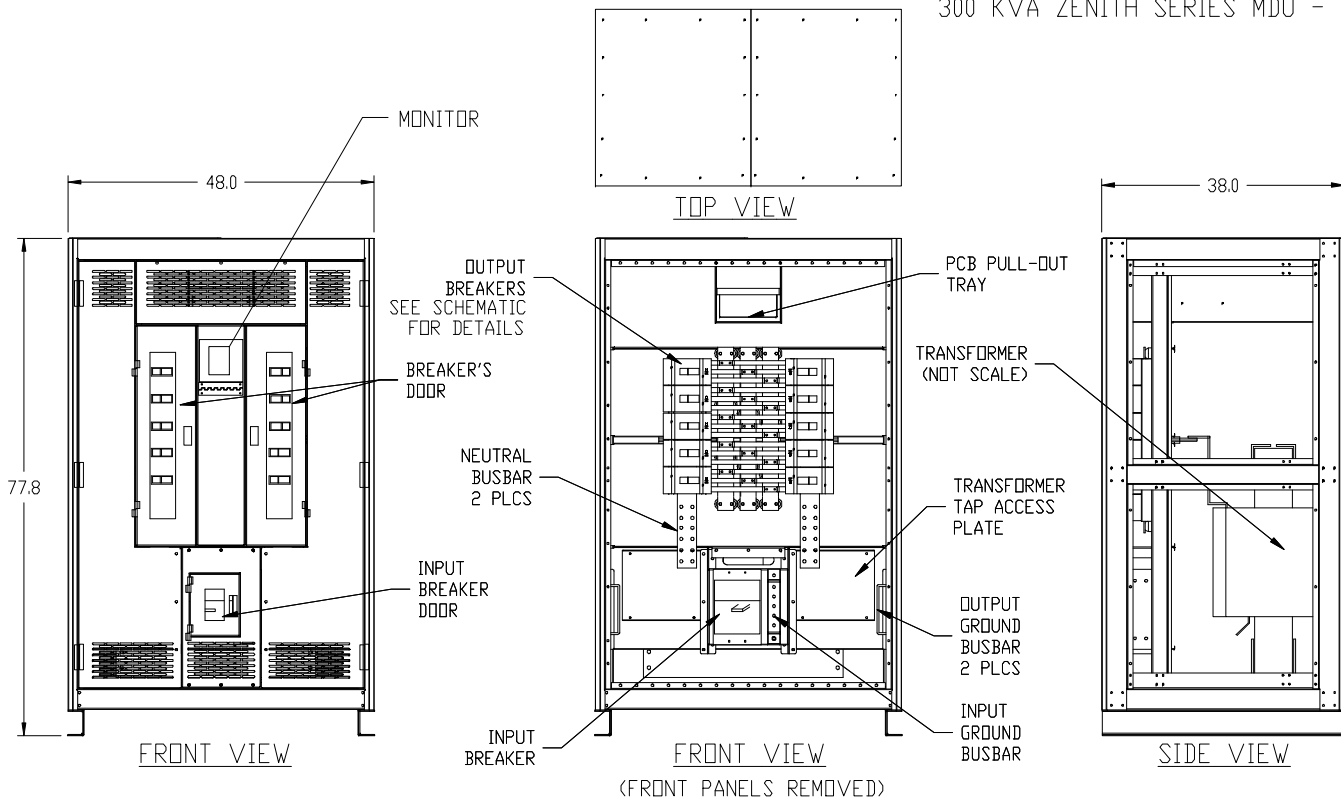


300 KVA ZENITH SERIES MDU - HIGH POWER

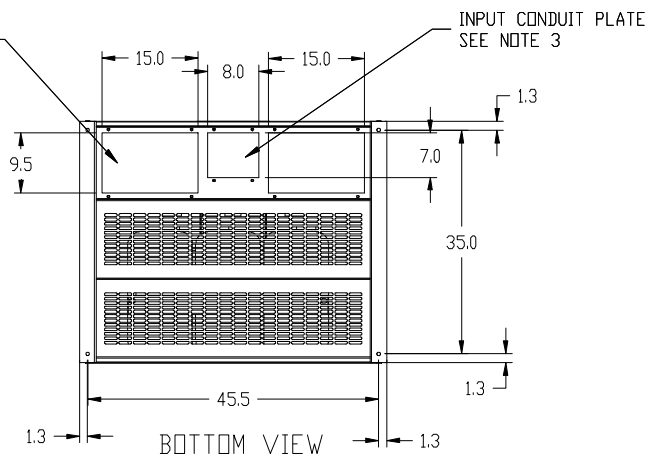
REV	DESCRIPTION	DATE	APPR
X0	INITIAL SUBMITTAL	1/22/13	IK



ISO VIEW

NOTES:

1. ALL DIMENSIONS ARE IN INCHES.
2. PDU COLOR: IBM PEARL WHITE
3. INPUT CB MAX CABLE SIZE RECOMMENDED: (2) X 4/0. MAXIMUM CONDUIT SIZE = (2) 2-1/2".
4. 225A CB OUTPUT CB MAX CABLE SIZE RECOMMENDED: (1) X 4/0. MAXIMUM CONDUIT SIZE = (1) 2-1/2".
5. 400A CB OUTPUT CB MAX CABLE SIZE RECOMMENDED: (2) X 4/0. MAXIMUM CONDUIT SIZE = (2) 2-1/2".
6. BOTTOM ENTRY STANDARD ADDED. TOP ENTRY WITH SIDE BUSBARS OPTIONAL: RIGHT OR LEFT SIDE.
7. BOTTOM EXIT STANDARD. TOP EXIT DEPENDING ON CONFIGURATION.



BOTTOM VIEW

8. CONSULT NEC AND LOCAL REGULATIONS.
9. FRONT 36.00 IN CLEARANCE REQUIRED FOR MAINTENANCE.
10. ALL CUSTOMER SUPPLIED CABLE CONNECTION BASED ON 75°C COPPER WIRE.
11. SIDE AND REAR 6.00 IN CLEARANCE REQUIRED FOR VENTILATION.
12. WEIGHT APPROX: 3800 LBS. MAX.

THIS DRAWING CONTAINS CONFIDENTIAL & PROPRIETARY INFORMATION AND SHALL NOT BE DISCLOSED OR COPIED WITHOUT THE EXPRESSED, WRITTEN PERMISSION OF GENERAL ELECTRIC CO.	TITLE <b>300 KVA ZENITH SERIES MDU HIGH POWER</b>	
	DWG. NUMBER	SHT 1 OF 3
	92-90300-XX1	
	DRAWN BY JS	REVISION X0
DATE	1/22/13	
		<b>GE Critical Power</b>