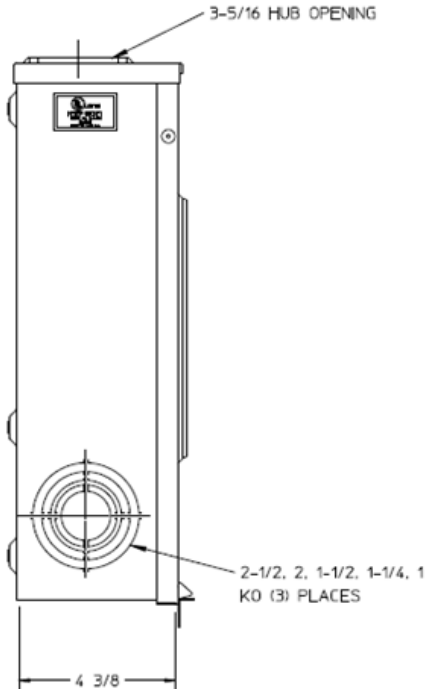
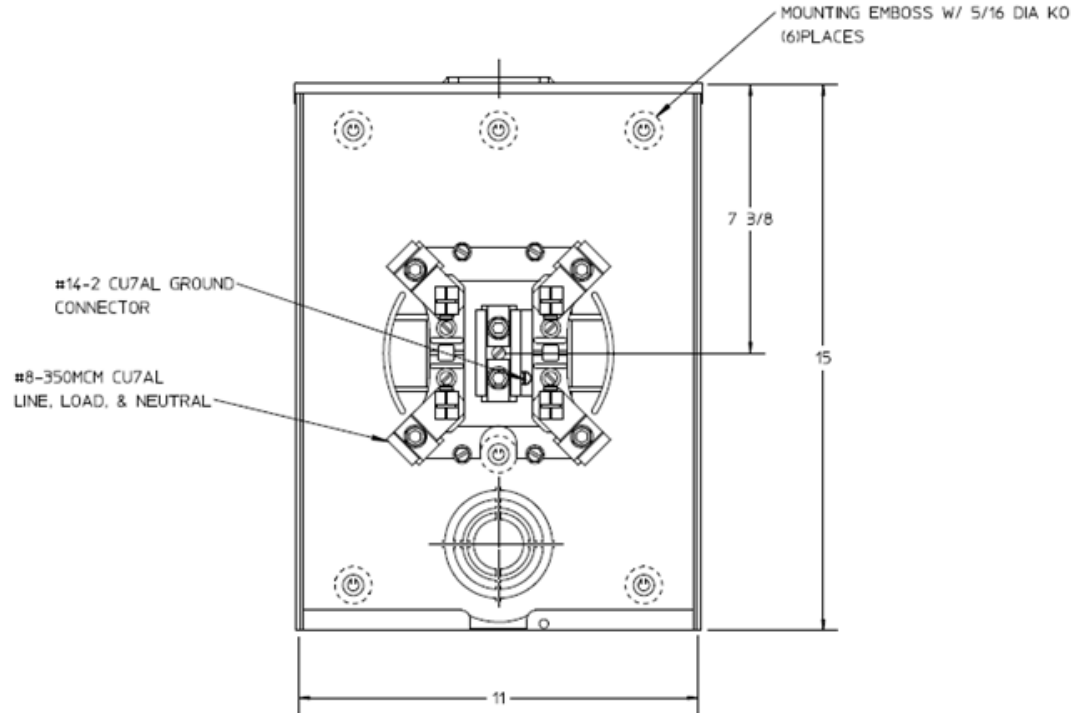


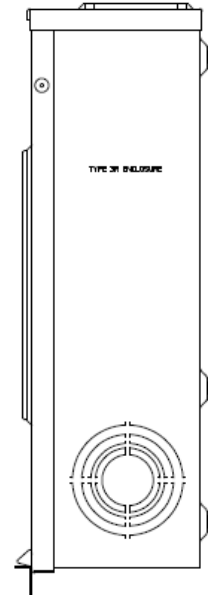
Left Side View



Front View



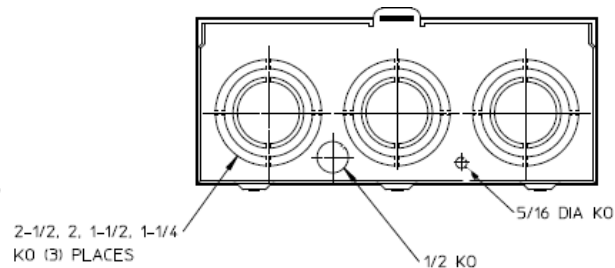
Right Side View



Notes

- 1) FINISH: GRAY
- 2) CABINET: 16 GA GALV. STEEL
- 3) 200AMP CONTINUOUS, 600 VAC, 1 PHASE, 3 WIRE
- 4) MIDWEST LABEL ATTACHED TO THE END OF THE CARTON.
- 5) TEMPORARY CARDBOARD METER OPENING COVER PROVIDED.
- 6) MIDWEST LOGO LOCATED IN THE LOWER LEFT-HAND CORNER OF THE FRONT.
- 7) STACK FLAT ON 36 X 48 PALLET. (DO NOT STACK ON SIDES)

Bottom View



METER SOCKET - (1) 200A 600V 1P3W N3R G90
TRIPLEX GRD HUB OPENING 4-TERMINAL TOP FEED

CAT NO	DWG DATE	REV #
MEPKR1CS1BT	02/10/2016	01