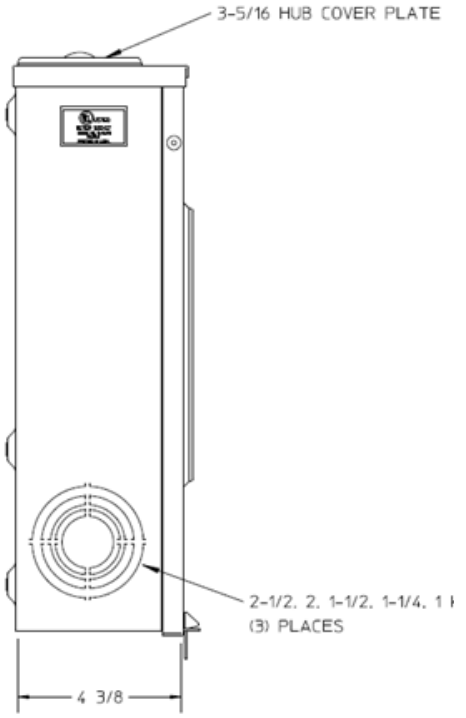
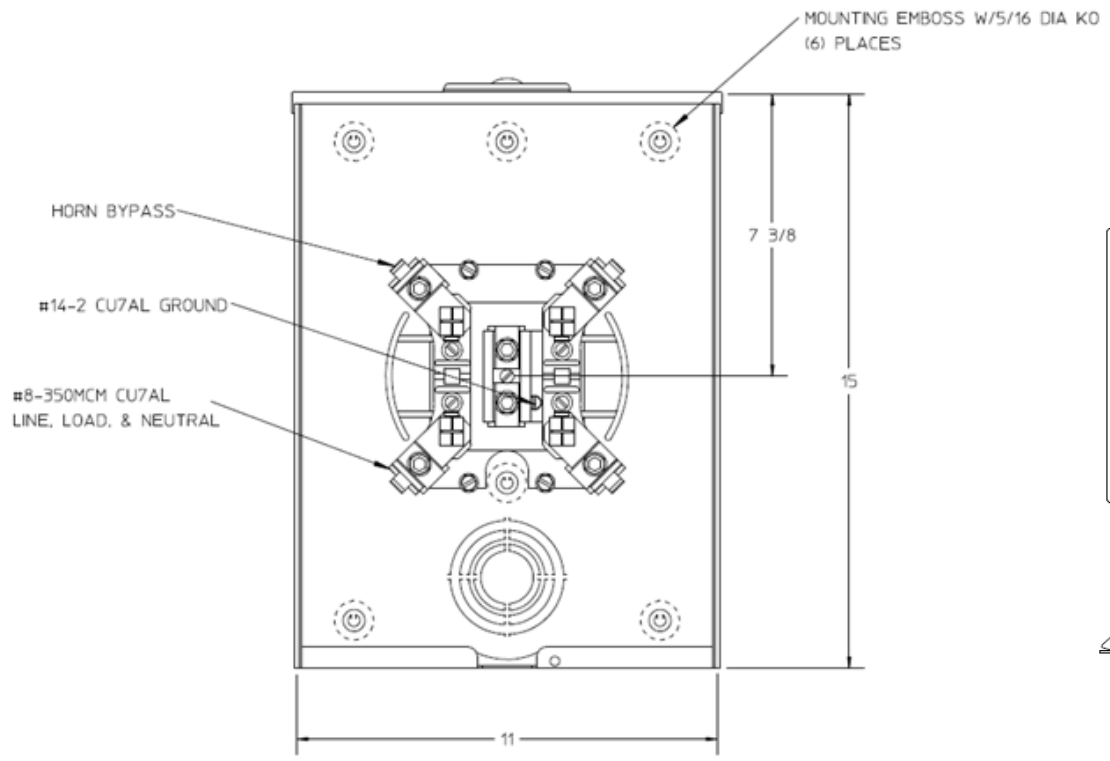


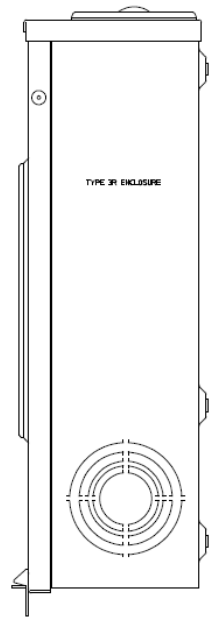
### Left Side View



### Front View



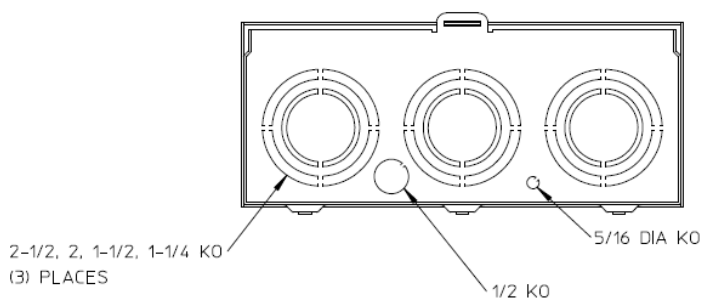
### Right Side View



### Notes

- 1) FINISH: GRAY
- 2) CABINET: 16 GA GALV. STEEL
- 3) 200 AMP CONTINUOUS, 600 VAC, 1 PHASE, 3 WIRE
- 4) TEMPORARY CARDBOARD METER OPENING COVER PROVIDED.
- 5) MIDWEST LABEL ATTACHED TO THE END OF THE CARTON.
- 6) MIDWEST LOGO LOCATED IN THE LOWER LEFT-HAND CORNER OF THE FRONT.
- 7) STACK FLAT ON 36 X 48 PALLET. (DO NOT STACK ON SIDES)

### Bottom View



METER SKT -(1) 200A 600V 1P3W N3R G90 4-TERM HRN BYP TRIPX GRD SMALL HUBCVRPLT TOP/BOTTOM FED

CAT NO	DWG DATE	REV #
MEPKS1CS1DT	08/23/2016	01