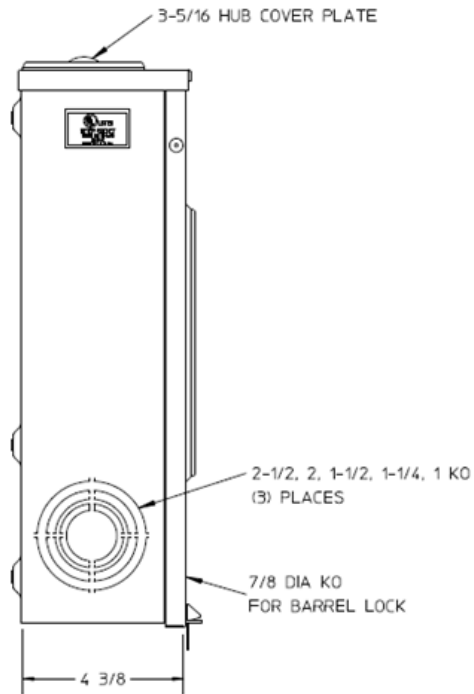
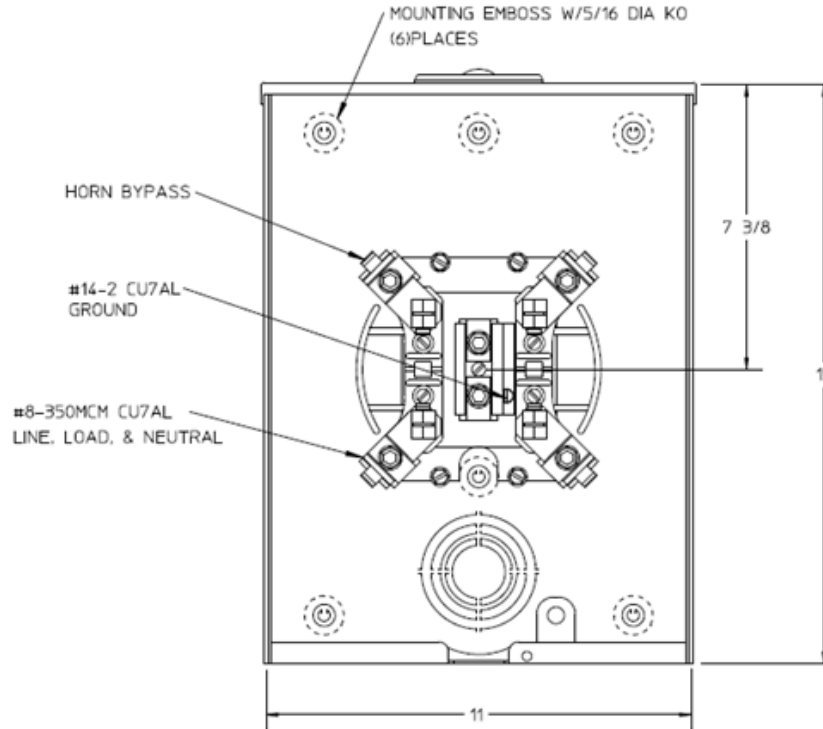


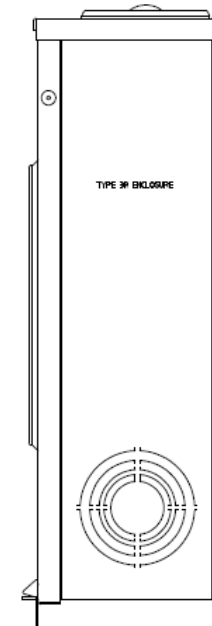
### Left Side View



### Front View



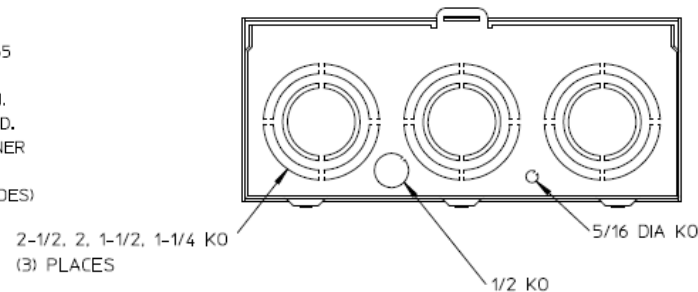
### Right Side View



### Notes

- 1) FINISH: GRAY
- 2) CABINET: 16 GA GALV. STEEL
- 3) 200AMP CONTINUOUS,  
600 VAC, 1 PHASE, 3 WIRE
- 4) FOR BROOKS OR INNER-TITE STANDARD LENGTH BARREL  
LOCK IN CONJUNCTION WITH A BROOKS LOCK GUARDS #865  
OR #86505, WITH A PERMANENTLY WELDED BRACKET.
- 5) MIDWEST LABEL ATTACHED TO THE END OF THE CARTON.
- 6) TEMPORARY CARDBOARD METER OPENING COVER PROVIDED.
- 7) MIDWEST LOGO LOCATED IN THE LOWER LEFT-HAND CORNER  
OF THE FRONT.
- 8) STACK FLAT ON 36 X 48 PALLET. (DO NOT STACK ON SIDES)

### Bottom View



METER SOCKET -(1) 200A 600V 1P3W N3R G90 4-TERM HRN BYP  
TRIPLEX GRD HUB CVR PLT AEP BARREL LOCK TOP/BOT FEED

CAT NO	DWG DATE	REV #
MEPKS1CS1DTV	02/10/2016	01