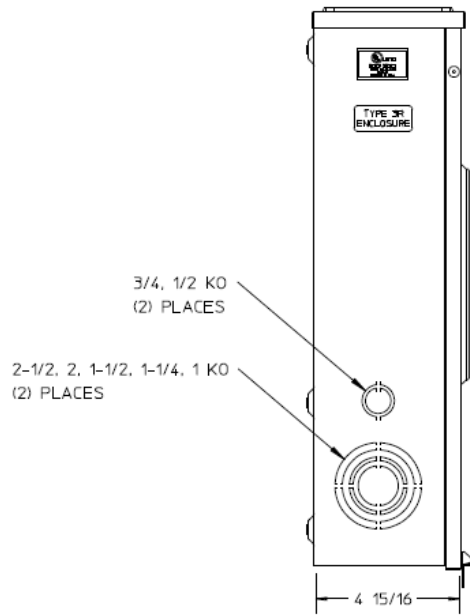
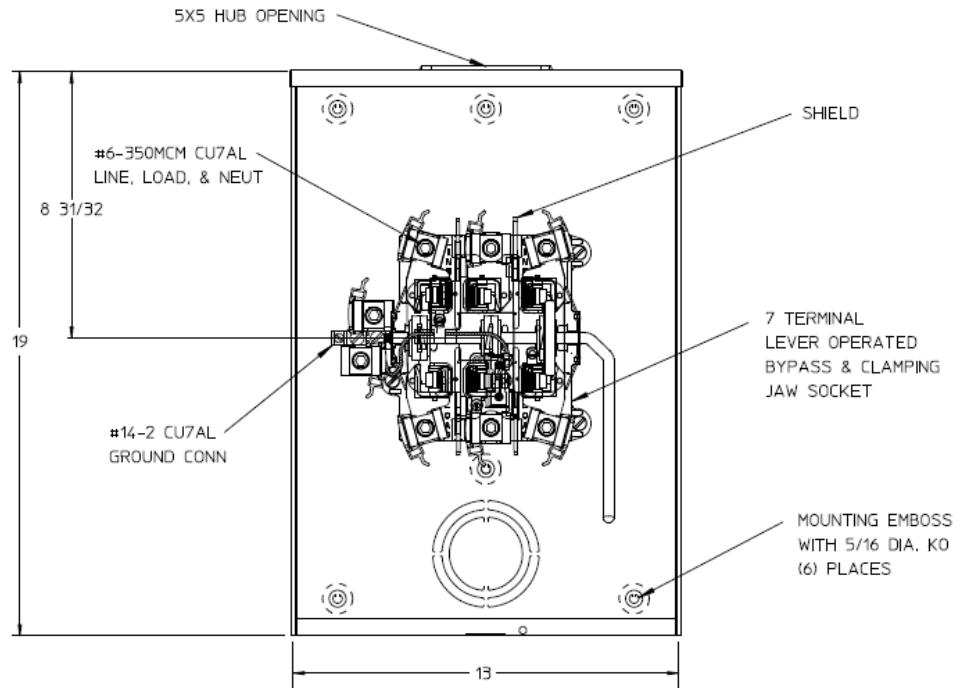


Left Side View



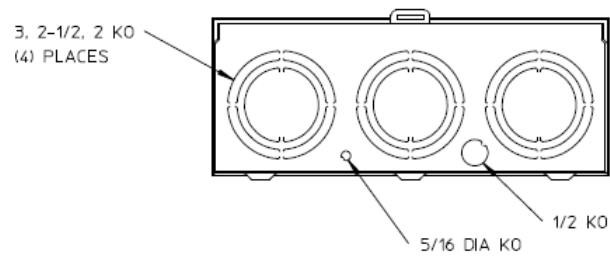

Front View



Notes

- 1) FINISH: GRAY
- 2) CABINET: 16 GA GALV. STEEL
- 3) 200 AMP CONTINUOUS
600 VAC, 3 PHASE, 4 WIRE
200 AMP BYPASS
- 4) TEMPORARY CARDBOARD METER
OPENING COVER SUPPLIED
- 5) MIDWEST LABEL ATTACHED TO THE
END OF THE CARTON
- 6) MIDWEST LOGO LOCATED IN THE LOWER
LEFT-HAND CORNER OF THE FRONT
- 7) STACK FLAT ON 36 X 48 PALLET.
(DO NOT STACK ON SIDES)

Bottom View

METER SOCKET - (1) 200A 600V 3P4W N3R G90 7-TERM
LARGE HUB OPENING LEVER BYPASS TOP/BOTTOM FEED

CAT NO	DWG DATE	REV #
MEPKU1CW3CT	08/23/2016	01