

Midwest Electric Products

# Safety Switches

Rugged, reliable and easy to install

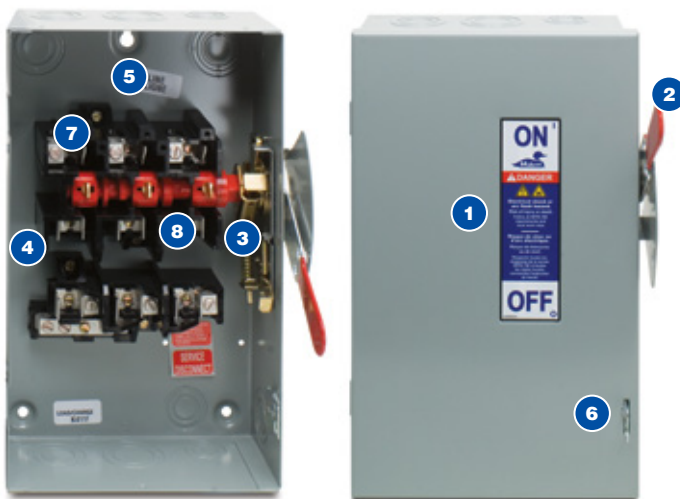


# Midwest Safety Switches

## Features

Midwest Electric Products offers a wide variety of general duty and heavy duty safety switches, all of which are UL and cUL listed. The general duty switches are designed for residential and light commercial purposes such as strip malls. Our line of heavy duty switches is best suited for commercial and industrial applications such as office buildings, manufacturing and agricultural facilities. They are both available in fusible or non-fusible and in NEMA Type 1 (indoor) or NEMA Type 3R (outdoor) enclosures. Our NEMA Type 1 enclosures are constructed of powder coat painted steel. The NEMA Type 3R enclosures are made of powder coat painted galvanized steel. No matter what the application, we've got you covered with rugged, reliable and easy to install switches.

### General Duty – For Residential and Light Commercial Applications



60A / Fusible / 3 Pole / 240V  
MGF322N

- ✓ 1 Highly visible ON/OFF label
- ✓ 2 Our **General Duty** switch features a highly visible, easy to grip red handle and accepts 1 padlock in the OFF position.  
Our **Heavy Duty** switch features an upgraded handle ideal for hook stick operation and accepts 3 padlocks in the OFF position.
- ✓ 3 Direct-drive, quick-make, quick-break mechanism “snaps” the contacts open and closed on 30A-200A, providing positive ON/OFF indication.

- 🕒 4 Wide, unobstructed gutter
- 🕒 5 Self-leveling three-point mounting pattern

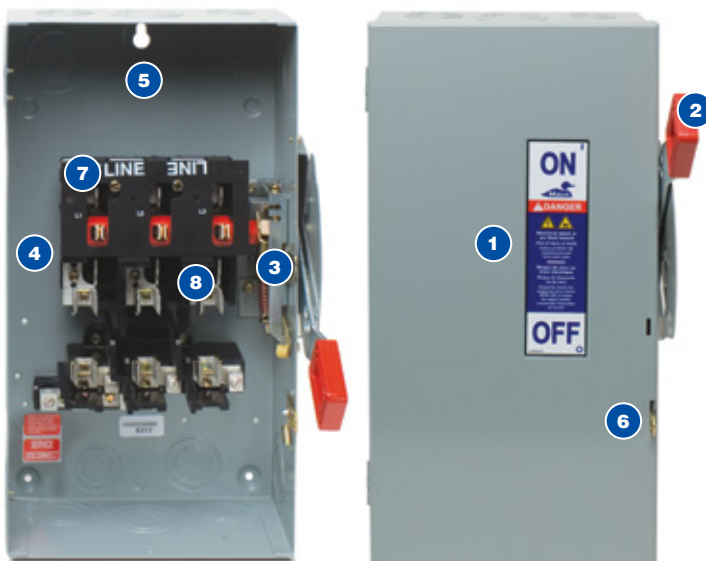
- ✓ 6 Our **General Duty** switch has an integral cover interlock.

Our **Heavy Duty** switch has been upgraded with coin-proof, defeatable interlocks.

- ✓ 7 Visible confirmation of plated blade contact
- ✓ 8 Spring reinforced fuse clips assure reliable contact for cool operation. Suitable for Class H, K, J or R fuses, where applicable.

- ✓ = Safety
- 🕒 = Ease of Installation

### Heavy Duty – For Commercial and Industrial Applications



60A / Fusible / 3 Pole / 240V  
MHF322N



## General Duty

General Duty (Type MG) switches are designed for residential and light commercial applications where duty is not severe. The maximum voltage is 240 Vac/250 Vdc and when used with Class R fuses 30-200A switches, have a UL listed short-circuit rating of 100KAIC. All General Duty safety switches are UL and cUL listed (UL98 Enclosed Switches) and meet NEMA Enclosed Safety Switch Standard KS1, and also meet Federal Specification WS-865C.

## Heavy Duty

Heavy Duty (Type MH) switches are designed for commercial and industrial applications where safety and superior reliability are essential. The maximum voltage is 600 Vac/250 Vdc. Our Heavy Duty switches provide superior endurance performance and, when used with Class R or J fuses, 30-200A switches have a UL listed short-circuit rating of 200KAIC. They are UL listed as service equipment when installed in accordance with the National Electric Code. All heavy duty safety switches are UL and cUL listed (UL98 Enclosed Switches) and meet NEMA Enclosed Safety Switch Standard KS1, and also meet Federal Specification WS-865C.

## Service

Most of our switches ship within 48 hours from our distribution center in Mount Juliet, Tennessee.

## Enclosure

**NEMA Type 1** enclosures are suitable for indoor use, primarily to provide protection against contact with the enclosed equipment and where unusual service environments do not exist.

**NEMA Type 3R** enclosures are intended for outdoor use to provide a degree of protection against falling rain, sleet and external enclosure ice formation.

Provides a degree of protection against the following environmental conditions:	Enclosure	
	NEMA Type 1	NEMA Type 3R
Incidental contact with the enclosed equipment	Yes	Yes
Falling dirt	Yes	Yes
Rain, sleet and snow	–	Yes



# General Duty Safety Switch Selection Guide

## Safety Switch Nomenclature

		MG	F	3	2	4	N	R		
Type of Switch	MG	General Duty								
	MH	Heavy Duty								
Fusing	F	Fusible								
	U	Non-Fusible								
Poles	2	2 Poles								
	3	3 Poles								
Voltage Rating	2	240 Vac								
	6	600 Vac								
Enclosure Type		(blank)	NEMA Type 1 (indoor)							
		R	NEMA Type 3R (outdoor)							
Neutral		(blank)	None							
		N	Factory Installed							
Ampere Rating	1	30 Amp								
	2	60 Amp								
	3	100 Amp								
	4	200 Amp								
	5	400 Amp								
	6	600 Amp								



## General Duty Safety Switches

	Ampere Rating	Model Number		Horsepower Ratings				DC HP
		NEMA Type 1 Indoor	NEMA Type 3R Outdoor <sup>2</sup>	Single-Phase 240 Vac		Three-Phase 240 Vac		250 Vdc
				Standard Fuse	Time Delay Fuse	Standard Fuse	Time Delay Fuse	Standard Fuse
<b>Fusible / 2 Pole / 3 Wire / 240V / 50/60 Hz</b>								
	30	MGF221N	MGF221NR	1 ½	3	–	–	5
	60	MGF222N	MGF222NR	3	10	–	–	10
	100	MGF223N	MGF223NR	7 ½	15	–	–	20
	200	MGF224N	MGF224NR <sup>3</sup>	15	15	–	–	–
<b>Fusible / 3 Pole / 4 Wire / 240V / 50/60 Hz</b>								
	30	MGF321N	MGF321NR	1 ½	3	3	7 ½	5
	60	MGF322N	MGF322NR	3	10	7 ½	15	10
	100	MGF323N	MGF323NR	7 ½	15	15	30	20
	200	MGF324N	MGF324NR <sup>3</sup>	15	15	25	50	–
	400	MGF325N	MGF325R <sup>1</sup>	–	–	50	75	–
	600	MGF326N	MGF326R <sup>1</sup>	–	–	50	75	–
<b>Non-Fusible / 3 Pole / 3 Wire<sup>1</sup> / 240V / 50/60 Hz</b>								
	30	MGU321	MGU321R	3		7 ½		5
	60	MGU322	MGU322R	10		15		10
	100	MGU323	MGU323R	15		30		20
	200	MGU324	MGU324R <sup>3</sup>	15		50		–

<sup>1</sup> 3 pole 3 wire - neutral ordered separately.

<sup>2</sup> 30, 60 and 100A General Duty outdoor switches feature a Flip-top door style.

<sup>3</sup> 200A General Duty switch features a Side Swing style door. See photo on page 7.

# General Duty Safety Switches

## Technical Information

### General Duty Safety Switch Short Circuit Ratings

Maximum System Voltage	Ampere Rating	Switch Type	UL Listed Fusing		Enclosure Type
			Class	Withstand Rating (rms Sym Amps)	
240 Vac 250 Vdc	30-600A <sup>1</sup>	Fusible	K	10,000	N1 N3R
			H	10,000	
			R	100,000	
		Non-fusible <sup>2</sup>	K	10,000	
			H	10,000	
			R	10,000	

<sup>1</sup> R-Class fuses not available with 400-600A.

<sup>2</sup> Non-fusible switch withstand ratings apply when protected by corresponding listed fuse type.

### Lug Wire Sizes Line and Load Terminals

Ampere Rating	Wire Range AWG/kcmil Copper	Wire Range AWG/kcmil Aluminum
30A	14-8	12-8
60A	12-2	12-2
100A	10-1/0	10-1/0
200A	2-250	2-250
400A	(1) 4-500 or (2) 1/0-250	(1) 4-500 or (2) 1/0-250
600A	(2) #4-500	(2) #4-500



# Heavy Duty Safety Switch Selection Guide

## Safety Switch Nomenclature

<b>Type of Switch</b>	MG General Duty	MH	F	3	2	4	N	R	<b>Enclosure Type</b>	(blank) NEMA Type 1 (indoor)
	MH Heavy Duty								R NEMA Type 3R (outdoor)	
<b>Fusing</b>	F Fusible	U	3	2	4	N	R	<b>Neutral</b>	(blank) None	
	U Non-Fusible							N Factory Installed		
<b>Poles</b>	2 2 Poles	3	2	4	N	R	<b>Ampere Rating</b>	1 30 Amp		
	3 3 Poles						2 60 Amp			
<b>Voltage Rating</b>	2 240 Vac	6	2	4	N	R	3 100 Amp			
	6 600 Vac						4 200 Amp			
							5 400 Amp			
							6 600 Amp			



60A / Fusible / 3 Pole / 240V / N1 MHF322N      100A / Fusible / 3 Pole / 600V / N3R MHF363R      30A / Non-Fusible / 3 Pole / 600V / N3R MHU361R



## Heavy Duty Safety Switches

	Ampere Rating	Model Number		Horsepower Ratings								DC Hp						
		NEMA Type 1 Indoor	NEMA Type 3R Outdoor <sup>2</sup>	Single-Phase 240 Vac				Three-Phase 240 Vac				250 Vdc						
				Standard Fuse		Time Delay Fuse		Standard Fuse		Time Delay Fuse		Standard Fuse						
<b>Fusible / 2 Pole / 3 Wire / 240V / 50/60 Hz</b>																		
	30	MHF221N	MHF221NR	1 1/2	3	-	-	-	-	-	-	-	-	5				
	60	MHF222N	MHF222NR	3	10	-	-	-	-	-	-	-	-	10				
	100	MHF223N	MHF223NR	7 1/2	15	-	-	-	-	-	-	-	-	20				
	200	MHF224N	MHF224NR <sup>3</sup>	15	-	-	-	-	-	-	-	-	-	40				
<b>Fusible / 3 Pole / 4 Wire / 240V / 50/60 Hz</b>																		
	30	MHF321N	MHF321NR	1 1/2	3	3	7 1/2	3	7 1/2	15	15	30	60	5				
	60	MHF322N	MHF322NR	3	10	7 1/2	15	7 1/2	15	30	30	60	120	10				
	100	MHF323N	MHF323NR	7 1/2	15	15	30	15	30	30	60	60	120	20				
	200	MHF324N	MHF324NR <sup>3</sup>	15	-	25	-	25	60	60	60	120	120	40				
<b>Fusible / 3 Pole / 3 Wire / 240V / 50/60 Hz</b>																		
	400	-	MHF325R <sup>1</sup>	-	-	50	125	50	125	50	125	250	500	50				
	600	-	MHF326R <sup>1</sup>	-	-	75	200	75	200	75	200	400	800	50				
<b>Fusible / 3 Pole / 3 Wire / 600V / 50/60 Hz</b>																		
				Horsepower Ratings										DC Hp				
				Single-Phase				Three-Phase						Standard Fuse				
				Standard Fuse		Time Delay Fuse		Standard Fuse		Time Delay Fuse				Standard Fuse				
				480 V	600 V	480 V	600 V	240 V	480 V	600 V	240 V	480 V	600 V	240 V	480 V	600 V	125 Vdc	250 Vdc
	30	MHF361	MHF361R	3	3	7 1/2	10	-	5	7 1/2	-	15	20	2	5			
	60	MHF362	MHF362R	5	10	20	25	-	15	15	-	30	50	5	10			
	100	MHF363	MHF363R	10	15	30	40	-	25	30	-	60	75	-	20			
	200	MHF364	MHF364R <sup>3</sup>	25	30	50	50	-	50	60	-	125	150	-	40			
	400	MHF365 <sup>1</sup>	MHF365R <sup>1</sup>	-	-	-	-	50	100	125	125	250	350	-	50			
	600	MHF366 <sup>1</sup>	MHF366R <sup>1</sup>	-	-	-	-	75	150	200	200	400	500	-	50			
<b>Non-Fusible / 3 Pole / 3 Wire / 600V / 50/60 Hz</b>																		
				Horsepower Ratings										DC Hp with Std. Fuse				
				Single-Phase with Standard Fuse			Three-Phase with Standard Fuse			DC Hp with Std. Fuse								
				240 V		480 V	240 V		480 V	600 V	250 Vdc							
	30	MHU361	MHU361R	3	7 1/2	10	10	20	30	5								
	60	MHU362	MHU362R	10	20	25	20	50	60	10								
	100	MHU363	MHU363R	20	30	40	40	75	100	20								
	200	MHU364	MHU364R <sup>3</sup>	30	50	50	60	125	150	40								
	400	MHU365	MHU365R	-	-	-	125	250	350	50								
	600	MHU366	MHU366R	-	-	-	200	400	500	50								

<sup>1</sup> 3 pole 3 wire — neutral ordered separately.

<sup>2</sup> 30, 60 and 100A Heavy Duty outdoor switches feature a Flip-top door style.

<sup>3</sup> 200A Heavy Duty switch features a Side Swing style door. See photo on page 7.

# Heavy Duty Safety Switches

## Technical Information

### Heavy Duty Safety Switch Short Circuit Ratings

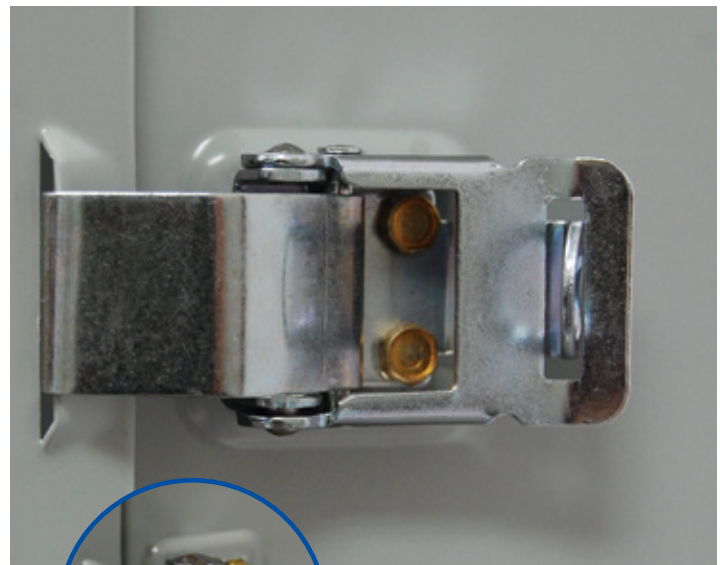
Maximum System Voltage	Ampere Rating	Switch Type	UL Listed Fusing		Enclosure Type
			Class	Withstand Rating (rms Sym Amps)	
600 Vac 250 Vdc	30-600A	Fusible	H	10,000	N1 N3R
			R	200,000 <sup>2</sup>	
			J	200,000 <sup>2</sup>	
		Non-fusible <sup>1</sup>	H	10,000	
			R	10,000	
			J	10,000	

<sup>1</sup> Non-fusible switch withstand ratings apply when protected by corresponding listed fuse type.

<sup>2</sup> Unless otherwise noted on the enclosure.

### Lug Wire Sizes Line and Load Terminals

Ampere Rating	Wire Range AWG/kcmil Copper	Wire Range AWG/kcmil Aluminum
30A (250V)	14-8	12-8
30A (600V)	12-2	12-2
60A (600V)	12-2	12-2
100A (600V)	10-1/0	10-1/0
200A (600V)	2-250	2-250
400A (600V)	(1) 4-500 or (2) 1/0-250	(1) 4-500 or (2) #4-500
600A (600V)	(2) #4-500	(2) #4-500



Our over center latches provide a secure seal, and can accommodate locks for added protection.



All of our 200A General Duty and Heavy Duty safety switches feature the side swing closure, and all Heavy Duty have clear line shields for ease of installation and field maintenance.

# Safety Switch Accessories

## Equipment Ground Kits

Model Number	Ampere Rating	Wire Range AWG/kcmil Copper	Wire Range AWG/kcmil Aluminum	Std Pkg
MGL2	30A	(4) 14-8, (3) 14-4	(4) 14-8, (3) 6-4	20
	60A			
MGL4	100A	(3) 10-1/0	(3) 10-1/0	1
	200A			
MGL6	400A	(3) 2-250	(3) 2-250	1
	600A			



Equipment Ground Kit  
MGL4

## Neutral Kit Insulated, Groundable and Bondable

Model Number	Ampere Rating	System Voltage	Fusible/ Non-Fusible	Wire Range AWG/kcmil Copper	Wire Range AWG/kcmil Aluminum	Std Pkg
MNK1	30A	240 Vac	Either	14-8	12-8	1
MNK2 <sup>1</sup>	30A	600 Vac	Either	12-2	12-2	1
MNK2A	60A	600 Vac	Fusible	12-2	12-2	1
MNK3	100A	600 Vac	Non-Fusible	10-1/0	10-1/0	1
MNK3A <sup>1</sup>	100A	600 Vac	Fusible	10-1/0	10-1/0	1
MNK4A	200A	600 Vac	Either	2-250	2-250	1
MNK5	400A	600 Vac	Either	(1) 4-500 or (2) 1/0-250	(1) 4-500 or (2) 1/0-250	1
MNK5A	400A	600 Vac	Either	(1) 350-800	(1) 350-800	1
MNK6	600A	600 Vac	Either	(2) 4-500	(2) 4-500	1



Neutral Kit Insulated,  
Groundable and Bondable  
MNK4A

**Switching Neutral:** Order standard switch of required number of poles and use dummy fuse in neutral pole.

<sup>1</sup> Not suitable for type MG switches.

## Class R Fuse Kits

Model Number	Switch Prefix	Ampere Rating	System Voltage
MGR12	MG	30A	240V
MGR22	MG	60A	240V
MGR42	MG	100/200A	240V
MHR12	MH	30A	240V
MHR16	MH	30A	600V
MHR22	MH	60A	240V
MHR26	MH	60A	600V
MHR46	MH	100/200A	600V
MHR56	MH	400A	600V
MHR66	MH	600A	600V



Class R Fuse Kit  
MHR22

## Raintight Aluminum Hubs and Closing Cap

Model Number	Nominal Conduit Diameter	Model Number	Nominal Conduit Diameter
B07	3/4"	B20	2"
B10	1"	B25	2 1/2"
B12	1 1/4"	B01	Closing Cap
B15	1 1/2"		



Raintight Aluminum Hub  
B20

## Auxiliary Contact Kits

UL listed for field installation  
Designed to open before switch blades  
Standard Package = 1

Model Number	Switch Prefix	Ampere Rating	System Voltage	Contacts	Contact Ratings
MAUX61S	MH	30A	240V	1NO/1NC	15A, 600 Vac 0.50A, 125 Vac 0.25A, 250 Vac
MAUX21D	MH	30A	240V	2NO/2NC	10A, 125/250 Vac 0.30A, 125 Vac 0.15A, 250 Vac
MAUX64D	MH	30A	600V	2NO/2NC	15A, 600 Vac 0.50A, 125 Vac 0.25A, 250 Vac
	MH	60A-200A	240V-600V		
MAUX66D	MH	400-600A	240V-600V	2NO/2NC	15A, 600 Vac 0.50A, 125 Vac 0.25A, 250 Vac



Auxiliary Contact Kit  
MAUX64D



# Accessory Selection Tables

## General Duty Safety Switches

Model Number		Neutral Kit Accessory/ Replacement Part	Ground Lug Kit	Class R Fuse Kit
NEMA Type 1	NEMA Type 3R			
MGF221N	MGF221NR	Factory Installed Replacement = MNK1	MGL2	MGR12
MGF222N	MGF222NR	Factory Installed Replacement = MNK2A	MGL2	MGR22
MGF223N	MGF223NR	Factory Installed	MGL4	MGR42
MGF224N	MGF224NR	Factory Installed Replacement = MNK4A	MGL4	MGR42
MGF321N	MGF321NR	Factory Installed Replacement = MNK1	MGL2	MGR12
MGF322N	MGF322NR	Factory Installed	MGL2	MGR22
MGF323N	MGF323NR	Factory Installed	MGL4	MGR42
MGF324N	MGF324NR	Factory Installed Replacement = MNK4A	MGL4	MGR42
MGF325N	MGF325R	NEMA 1 Factory Installed; NEMA 3R Field Installed MNK5 or MNK5A	MGL6	
MGF326N	MGF326R	NEMA 1 Factory Installed; NEMA 3R Field Installed MNK6	MGL6	
MGU321	MGU321R		MGL2	
MGU322	MGU322R		MGL2	
MGU323	MGU323R		MGL4	
MGU324	MGU324R		MGL4	

## Heavy Duty Safety Switches

Model Number		Neutral Kit Accessory/ Replacement Part	Ground Lug Kit	Class R Fuse Kit	Auxiliary Contact Kits (1NO / 1NC)	Auxiliary Contact Kits (2NO / 2NC)
NEMA Type 1	NEMA Type 3R					
MHF221N	MHF221NR	Factory Installed Replacement = MNK1	MGL2	MHR12	MAUX61S	MAUX21D
MHF222N	MHF222NR	Factory Installed	MGL2	MHR22		MAUX64D
MHF223N	MHF223NR	Factory Installed	MGL4	MHR46		MAUX64D
MHF224N	MHF224NR	Factory Installed Replacement = MNK4A	MGL4	MHR46		MAUX64D
	MHF325R	MNK5 or MNK5A	MGL6	MHR56		MAUX66D
	MHF326R	MNK6	MGL6	MHR66		MAUX66D
MHF361	MHF361R	MNK2 or MNK3	MGL2	MHR16	MAUX61S	MAUX21D
MHF362	MHF362R	MNK2A or MNK3A	MGL2	MHR26		MAUX64D
MHF363	MHF363R	MNK3A	MGL4	MHR46		MAUX64D
MHF364	MHF364R	MNK4A	MGL4	MHR46		MAUX64D
MHF365	MHF365R	MNK5 or MNK5A	MGL6	MHR56		MAUX66D
MHF366	MHF366R	MNK6	MGL6	MHR56		MAUX66D
MHF321N	MHF321NR	Factory Installed Replacement = MNK1	MGL2	MHR12	MAUX61S	MAUX21D
MHF322N	MHF322NR	Factory Installed	MGL2	MHR22		MAUX64D
MHF323N	MHF323NR	Factory Installed	MGL4	MHR46		MAUX64D
MHF324N	MHF324NR	Factory Installed Replacement = MNK4A	MGL4	MHR46		MAUX64D
MHU361	MHU361R	MNK2 or MNK3	MGL2		MAUX61S	MAUX21D
MHU362	MHU362R	MNK2 or MNK3	MGL2			MAUX64D
MHU363	MHU363R	MNK3	MGL4			MAUX64D
MHU364	MHU364R	MNK4A	MGL4			MAUX64D
MHU365	MHU365R	MNK5 or MNK5A	MGL6	MHR56		MAUX66D
MHU366	MHU366R	MNK6	MGL6	MHR56		MAUX66D

# Dimensions

Approximate dimensions in inches (mm) and weights in lbs. (kg)

## General Duty Safety Switches

Model Number		Height	Width		Depth		Weight lbs. (kg)	K.O. Figure Number
2 pole	3 pole		W (Box)	W <sub>2</sub> (w / handle)	D (Box)	D <sub>2</sub> (w / handle)		

### Fusible, 240V NEMA Type 1

MGF221N	MGF321N	10.3 (262)	6.4 (162)	6.9 (175)	3.3 (84)	6.3 (159)	6 (3)	1
MGF222N	MGF322N	13.8 (352)	8.4 (213)	8.9 (226)	4.0 (102)	7.9 (200)	11 (5)	7
MGF223N	MGF323N	21.3 (542)	9.4 (239)	10.6 (268)	4.9 (125)	9.9 (252)	17 (8)	2
MGF224N	MGF324N	29.1 (739)	13.4 (340)	14.6 (370)	5.2 (132)	9.3 (236)	32 (15)	3
	MGF325N	49.4 (1255)	21.6 (549)	22.8 (579)	8.7 (221)	14.6 (371)	111 (50)	11
	MGF326N	49.9 (1267)	22.9 (582)	24.1 (612)	9 (229)	14.9 (376)	126 (57)	10

### NEMA Type 3R

MGF221NR	MGF321NR	9.8 (248)	6.4 (162)	6.8 (174)	3.3 (84)	6.3 (159)	6 (3)	4
MGF222NR	MGF322NR	13.7 (348)	8.4 (213)	8.8 (222)	3.9 (99)	7.9 (200)	11 (5)	8
MGF223NR	MGF323NR	21.1 (535)	9.3 (237)	10.3 (262)	5.0 (128)	9.1 (230)	17 (8)	5
MGF224NR	MGF324NR	29.3 (744)	13.4 (340)	13.7 (348)	5.4 (137)	9.9 (251)	32 (15)	9
	MGF325R	49.7 (1262)	21.6 (549)	22.8 (579)	8.9 (226)	14.8 (376)	112 (51)	12
	MGF326R	50.2 (1275)	22.9 (582)	24.1 (612)	9.4 (239)	15.3 (389)	128 (58)	12

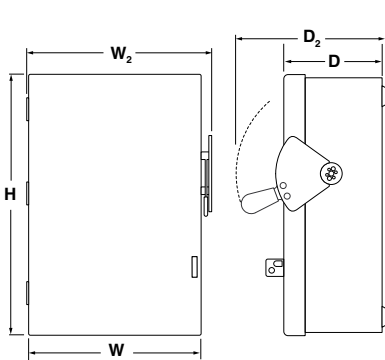
	3 pole	Height	W (Box)	W <sub>2</sub> (w / handle)	D (Box)	D <sub>2</sub> (w / handle)	Weight	K.O. #
--	--------	--------	---------	-----------------------------	---------	-----------------------------	--------	--------

### Non-Fusible, 240V NEMA Type 1

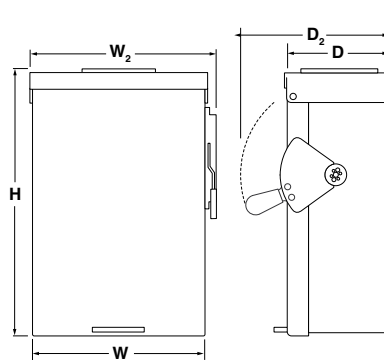
	MGU321	10.3 (262)	6.4 (162)	6.9 (175)	3.3 (84)	6.3 (159)	6 (3)	1
	MGU322	13.8 (352)	8.4 (213)	8.9 (226)	4.0 (102)	7.9 (200)	10 (5)	7
	MGU323	21.3 (542)	9.4 (239)	10.6 (268)	4.9 (125)	9.9 (252)	13 (6)	2
	MGU324	29.1 (739)	13.4 (340)	14.6 (370)	5.2 (132)	9.3 (236)	30 (14)	3

### NEMA Type 3R

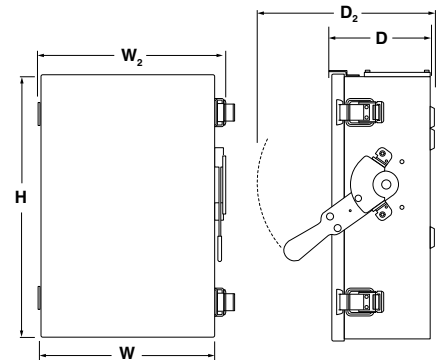
	MGU321R	9.8 (248)	6.4 (162)	6.8 (174)	3.3 (84)	6.3 (159)	6 (3)	4
	MGU322R	13.7 (348)	8.4 (213)	8.8 (222)	3.9 (99)	7.9 (200)	10 (5)	8
	MGU323R	15.6 (395)	9.3 (237)	10.3 (262)	5.0 (128)	9.1 (230)	13 (6)	5
	MGU324R	29.3 (744)	13.4 (340)	13.7 (348)	5.4 (137)	9.9 (251)	30 (14)	9



General Duty - NEMA Type 1



General Duty - NEMA Type 3R  
30 through 100A



General Duty - NEMA Type 3R Side Swing  
200A

# Dimensions

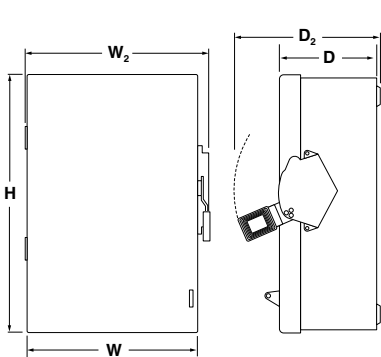
Approximate dimensions in inches (mm) and weights in lbs. (kg)

## Heavy Duty Safety Switches

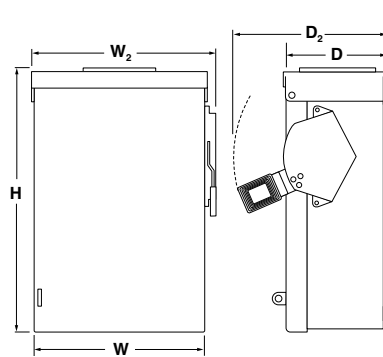
Model Number		Height	Width		Depth		Weight lbs. (kg)	K.O. Figure Number
2 pole	3 pole		W (Box)	W <sub>2</sub> (w / handle)	D (Box)	D <sub>2</sub> (w / handle)		
<b>Fusible, 240V NEMA Type 1</b>								
MHF221N	MHF321N	10.3 (262)	6.3 (160)	7.1 (181)	3.3 (84)	6.1 (155)	7 (3)	1
MHF222N	MHF322N	17.6 (447)	9.4 (238)	10.1 (257)	5.0 (127)	9.0 (229)	16 (7)	2
MHF223N	MHF323N	21.3 (542)	9.3 (237)	10.1 (257)	4.8 (122)	9.8 (248)	18 (8)	2
MHF224N	MHF324N	31.5 (800)	13.3 (338)	14.1 (358)	5.1 (130)	10.5 (268)	34 (15)	3
<b>NEMA Type 3R</b>								
MHF221NR	MHF321NR	10.5 (268)	6.2 (158)	6.6 (169)	3.1 (80)	7.7 (196)	7 (3)	4
MHF222NR	MHF322NR	17.2 (438)	9.2 (234)	9.7 (246)	4.8 (122)	7.9 (199)	16 (7)	5
MHF223NR	MHF323NR	22.1 (560)	9.3 (237)	10.2 (259)	4.9 (123)	9.8 (248)	18 (8)	5
MHF224NR	MHF324NR	31.7 (805)	13.4 (340)	14.3 (363)	5.4 (137)	9.5 (241)	34 (15)	9
	MHF325R	49.5 (1257)	23 (584)	24.1 (612)	8.5 (216)	13.9 (353)	122 (55)	12
	MHF326R	53.5 (1359)	23 (584)	24.1 (612)	8.5 (216)	13.9 (353)	122 (55)	12

	3 pole	Height	W (Box)	W <sub>2</sub> (w / handle)	D (Box)	D <sub>2</sub> (w / handle)	Weight	K.O. #
<b>Fusible, 600V NEMA Type 1</b>								
	MHF361	12.6 (319)	8.3 (211)	9.5 (241)	4.0 (102)	7.6 (194)	11 (5)	7
	MHF362	21.3 (542)	9.1 (232)	9.4 (238)	5.0 (127)	8.6 (219)	18 (8)	2
	MHF363	22.3 (567)	9.3 (237)	10.1 (257)	4.8 (122)	9.8 (248)	19 (9)	6
	MHF364	31.5 (800)	13.3 (338)	14.1 (358)	5.1 (130)	10.5 (268)	33 (15)	3
	MHF365	53.5 (1359)	23 (584)	24.1 (612)	8.5 (216)	13.9 (353)	122 (55)	10
	MHF366	53.5 (1359)	23 (584)	24.1 (612)	8.5 (216)	13.9 (353)	139 (63)	10
<b>NEMA Type 3R</b>								
	MHF361R	13.1 (333)	8.2 (209)	8.9 (225)	4.0 (102)	7.9 (199)	11 (5)	8
	MHF362R	22.0 (558)	9.2 (234)	9.7 (246)	4.8 (122)	7.9 (199)	18 (8)	5
	MHF363R	22.1 (560)	9.3 (237)	10.2 (259)	4.9 (123)	9.8 (248)	19 (9)	5
	MHF364R	31.7 (805)	13.4 (340)	14.3 (363)	5.4 (137)	9.5 (241)	33 (15)	9
	MHF365R	53.5 (1359)	23 (584)	24.1 (612)	8.5 (216)	13.9 (353)	132 (60)	12
	MHF366R	53.5 (1359)	23 (584)	24.1 (612)	8.5 (216)	13.9 (353)	136 (62)	12

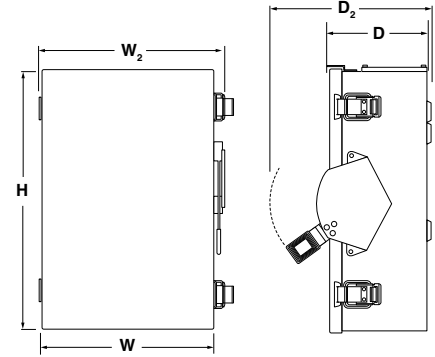
	3 pole	Height	W (Box)	W <sub>2</sub> (w / handle)	D (Box)	D <sub>2</sub> (w / handle)	Weight	K.O. #
<b>Non-Fusible, 600V NEMA Type 1</b>								
	MHU361	10.3 (262)	8.3 (211)	9.3 (237)	4.0 (102)	7.7 (196)	11 (5)	7
	MHU362	17.6 (447)	9.4 (238)	10.1 (257)	5.0 (127)	9.0 (229)	18 (8)	2
	MHU363	17.6 (447)	9.3 (237)	10.1 (257)	4.8 (122)	9.8 (248)	19 (9)	2
	MHU364	31.5 (800)	13.3 (338)	14.1 (358)	5.1 (130)	10.5 (268)	33 (15)	3
	MHU365	42.6 (1082)	22.9 (582)	23.6 (599)	8.3 (211)	14.4 (366)	108 (49)	10
	MHU366	42.6 (1082)	22.9 (582)	23.6 (599)	8.3 (211)	14.4 (366)	108 (49)	10
<b>NEMA Type 3R</b>								
	MHU361R	13.1 (333)	8.2 (209)	8.9 (225)	4.0 (102)	7.9 (199)	11 (5)	8
	MHU362R	17.2 (438)	9.2 (234)	9.7 (246)	4.8 (122)	7.9 (199)	18 (8)	5
	MHU363R	17.3 (439)	9.3 (237)	10.2 (259)	4.9 (123)	9.8 (248)	19 (9)	5
	MHU364R	31.7 (805)	13.4 (340)	14.3 (363)	5.4 (137)	9.5 (241)	33 (15)	9
	MHU365R	49.5 (1257)	23 (584)	24.1 (612)	8.5 (216)	13.9 (353)	122 (55)	12
	MHU366R	53.5 (1359)	23 (584)	24.1 (612)	8.5 (216)	13.9 (353)	139 (63)	12



Heavy Duty - NEMA Type 1



Heavy Duty - NEMA Type 3R  
30 through 100A

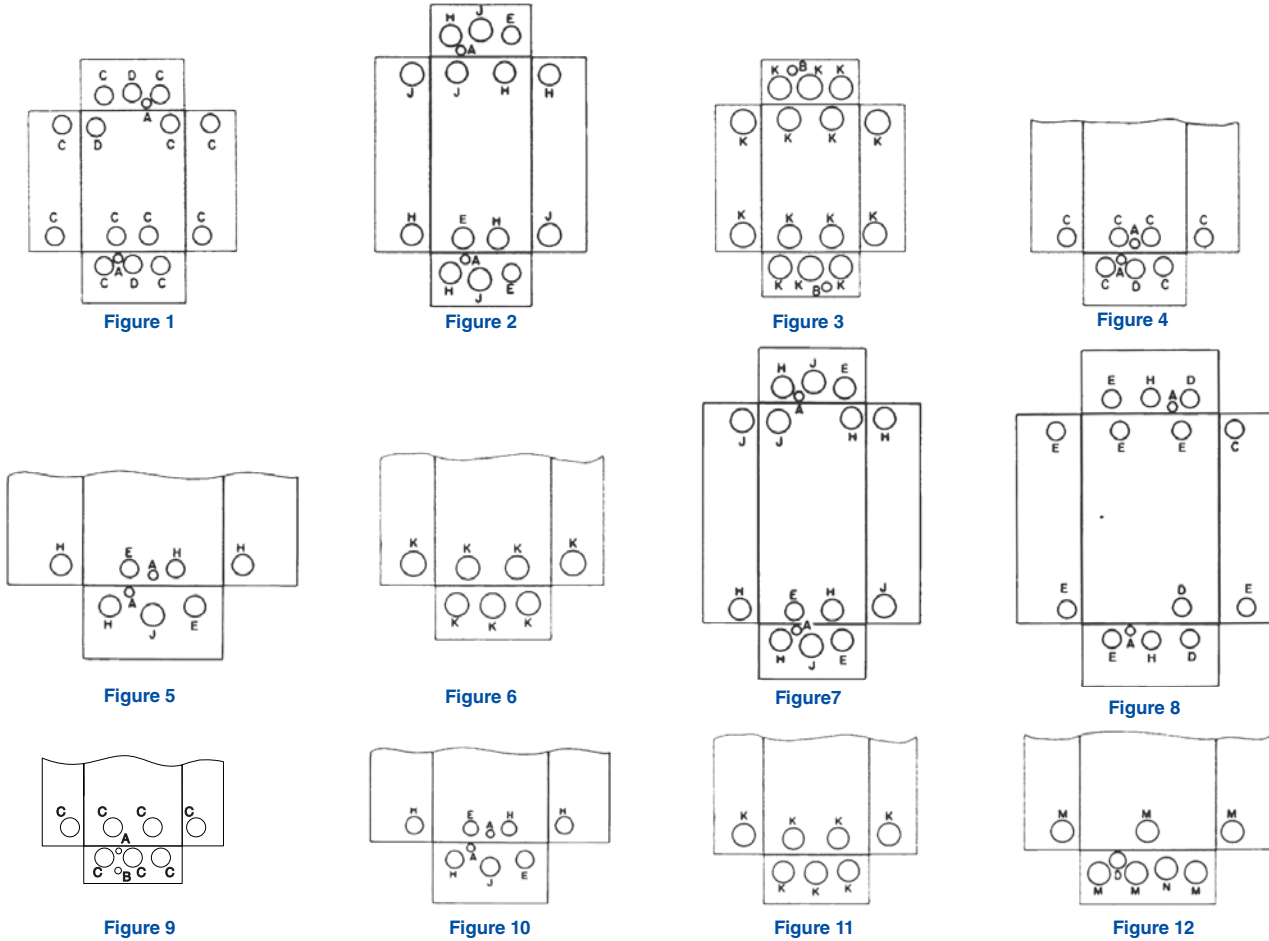


Heavy Duty - NEMA Type 3R  
200A

# Safety Switch Knockouts

## Dimensions – Knockouts

Symbol	A	B	C	D	E	H	J	K	M	N
	3/32	1/2	1/2	1/2	1/2	3/4	1	1	2	2 1/2
Conduit Size (inches)	–	–	3/4	3/4	3/4	1	1 1/4	1 1/2	2 1/2	3
	–	–	–	1	1	1 1/4	1 1/2	2	3	–
	–	–	–	–	1 1/4	1 1/2	2	2 1/2	3 1/2	–



# Safety Switch Outline Drawings

General Duty	Amps	Outline Drawing #	Heavy Duty	Amps	Outline Drawing #
Indoor	30-60	10103093SH4	Indoor	30-60	10103093SH2
	100-200	10103093SH8		100-200	10103093SH5
	400-600	10103091SH13		400-600	10103091SH14
Outdoor	30-60	10103093SH3	Outdoor	30-60	10103093SH1
	100	10103093SH7		100	10103093SH6
	200	10103093SH10		200	10103093SH9
	400-600	10103091SH16		400-600	10103091SH15

Other related Midwest Electric product publications	
MET-017	General Products Catalog
MEA-006	Dry Type Transformers Features and Benefits
MET-028	Dry Type Transformers Catalog
MET-030	Dry Type Transformers In-Stock Catalog
MET-013D	Transfer Switches & Power Inlets

Outline drawings can be found at [www.midwestelectric.com/e-catalog](http://www.midwestelectric.com/e-catalog)

Midwest Electric Products  
 305 Gregson Drive  
 Cary, NC 27511  
 Customer Service: 866-685-0577  
 Fax: 804-965-1041  
[www.midwestelectric.com](http://www.midwestelectric.com)

© 2021 Midwest Electric  
 MET-029C (5/21)

Information provided is subject to change without notice. Please verify all details with Midwest. All values are design or typical values when measured under laboratory condition, and Midwest makes no warranty or guarantee, express or implied, that such performance will be obtained under end-use conditions.

