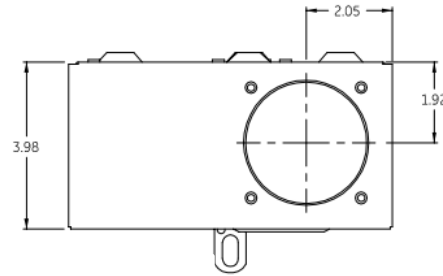


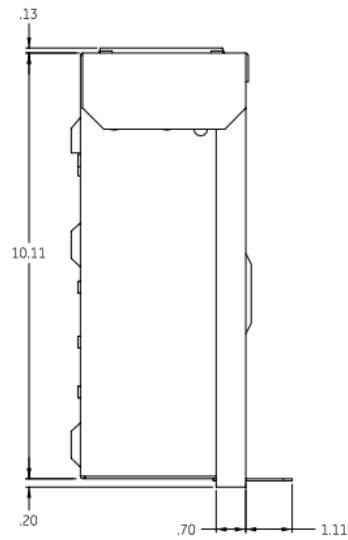
Top View



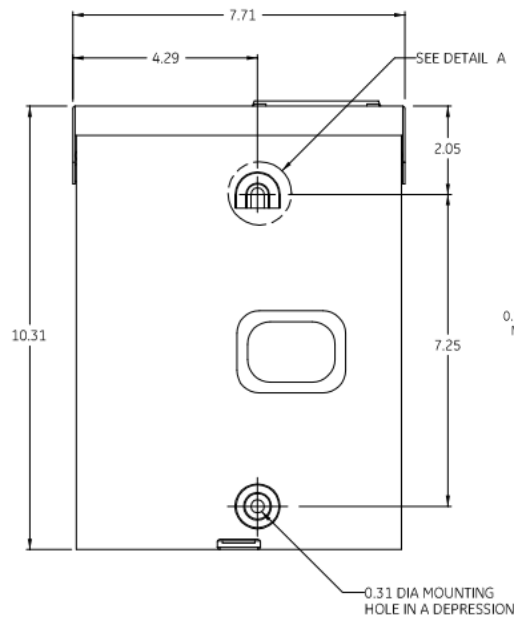
Wire Range Size

(1) #14 - 4 (CU/AL)

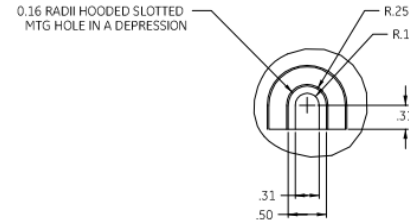
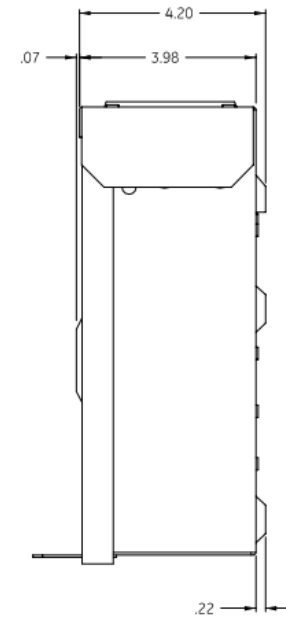
Left Side View



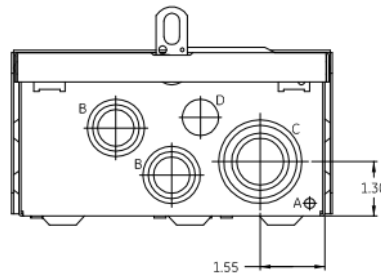
Front View



Right Side View



Bottom View



Knockouts

SYMBOL	SIZE	QTY
A	1/4 KO	1
B	1/2 x 3/4 x 1 KO	2
C	3/4 x 1 x 1 1/4 x 1 1/2 KO	1
D	1/2 KO	1

Note : All Dimensions have ±0.125 Tolerance



Midwest Electric Products
Plainville, CT

MIDWEST LOAD CENTER 2/4 CIRCUIT 40A MLO
N3R METALLIC ENCLOSURE TOP FED

CAT NO	DWG DATE	REV #
ML240RCU	03/22/2017	01