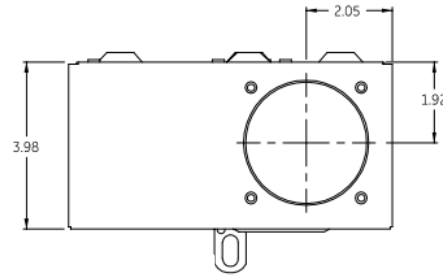


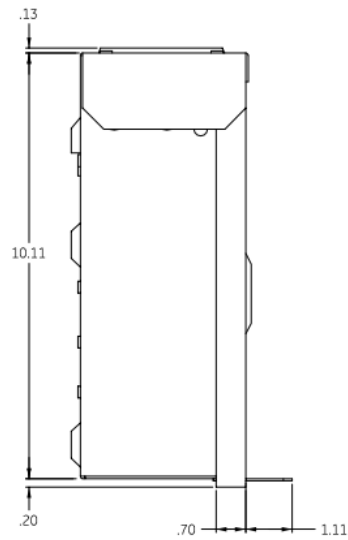
**Top View**



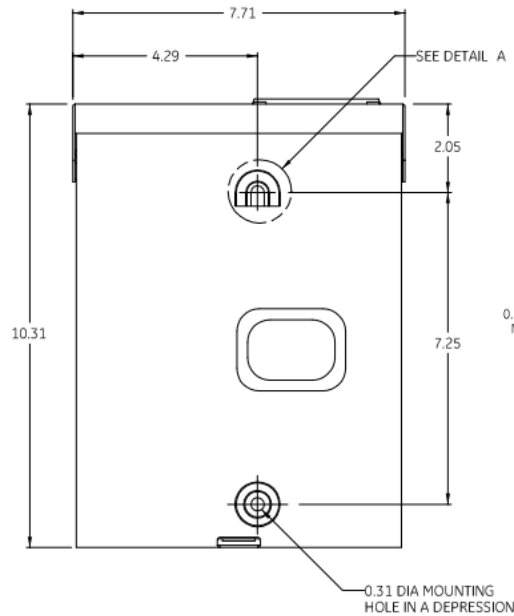
**Wire Range Size**

(1) #6 - #3 (CU/AL)

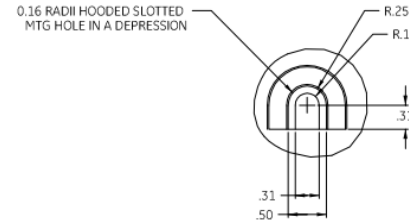
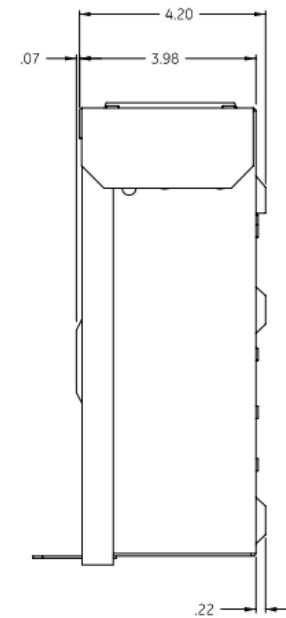
**Left Side View**



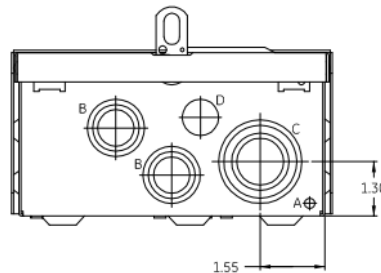
**Front View**



**Right Side View**



**Bottom View**



**Knockouts**

SYMBOL	SIZE	QTY
A	1/4 KO	1
B	1/2 x 3/4 x 1 KO	2
C	3/4 x 1 x 1 1/4 x 1 1/2 KO	1
D	1/2 KO	1

Note : All Dimensions have ±0.125 Tolerance



Midwest Electric Products  
Plainville, CT

MIDWEST LOAD CENTER 2/4 CIRCUIT 70A MLO  
N3R METALLIC ENCLOSURE TOP FED

CAT NO	DWG DATE	REV #
ML270RCU	03/29/2017	01