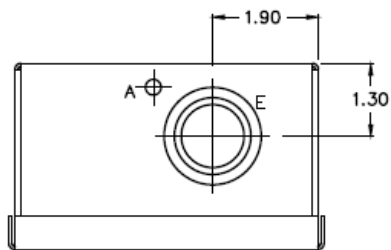


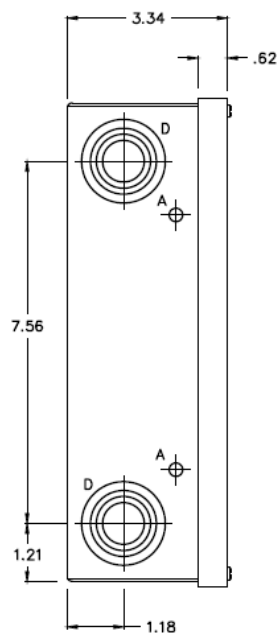
Top View



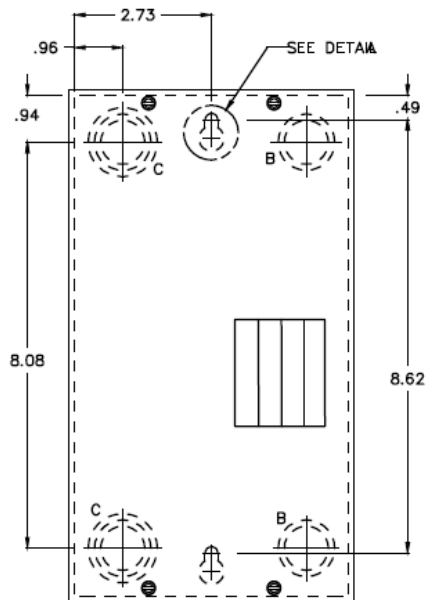
Wire Range Size

(1) #6 - #3 (CU/AL)

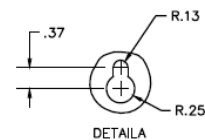
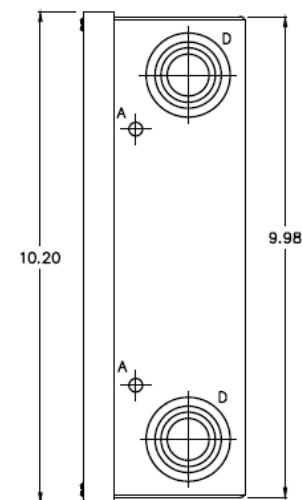
Left Side View



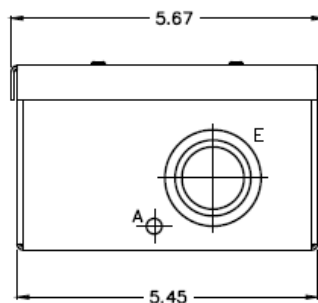
Front View



Right Side View



Bottom View



Knockouts

SYMBOL	SIZE	QTY
A	9/32 KO	6
B	1/2 x 3/4 KO	2
C	1/2 x 3/4 x 1 KO	2
D	1/2 x 3/4 x 1 x 1 1/4 KO	4
E	3/4 x 1 x 1 1/4 KO	2

Note : All Dimensions have ±0.125 Tolerance



Midwest Electric Products
Plainville, CT

MIDWEST LOAD CENTER 2/4 CIRCUIT 70A MLO N1
METALLIC ENCLOSURE SURFACE TOP/BOTTOM FEED

CAT NO	DWG DATE	REV #
ML270SCU	03/29/2017	01