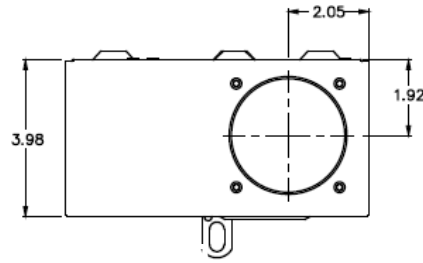


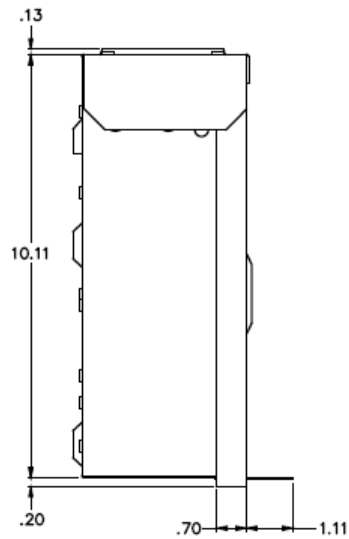
Top View



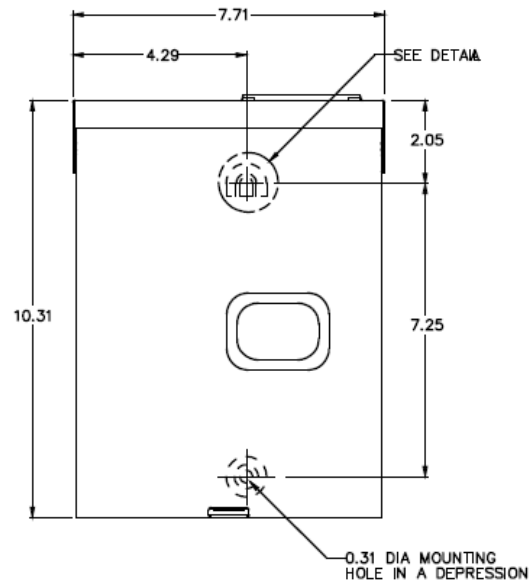
Wire Range Size

(1) #1 - 2/0 (CU/AL)

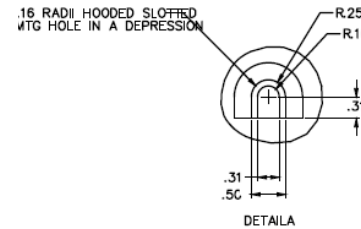
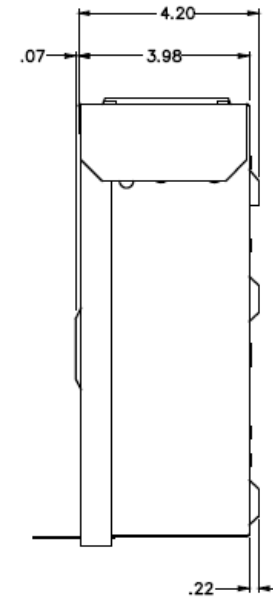
Left Side View



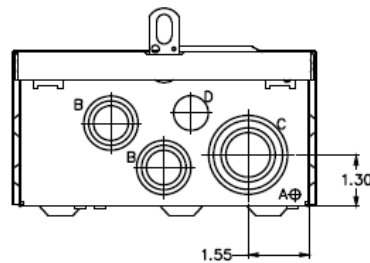
Front View



Right Side View



Bottom View



Knockouts

SYMBOL	SIZE	QTY
A	1/4 KO	1
B	1/2 x 3/4 x 1 KO	2
C	3/4 x 1 x 1 1/4 x 1 1/2 KO	1
D	1/2 KO	1

Note : All Dimensions have ±0.125 Tolerance



Midwest Electric Products
Plainville, CT

MIDWEST LOAD CENTER 4/8 CIRCUIT 125A MLO
N3R METALLIC ENCLOSURE TOP FEED

CAT NO	DWG DATE	REV #
ML412R1	03/29/2017	01