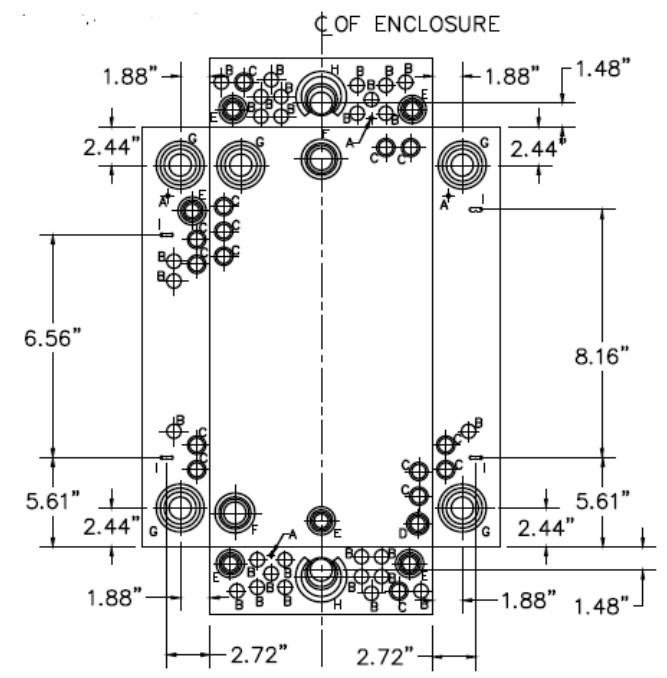


**Knockout View**



**Knockouts**

SYMBOL	SIZE	QTY.
A	9/32 KO	4
B	1/2 KO	28
C	1/2 X 3/4 KO	15
D	1/2 X 3/4 X 1 KO	1
E	1/2 X 3/4 X 1 X 1 1/4 KO	6
F	1 X 1 1/4 X 1 1/2 X 2 KO	2
G	1 X 1 1/2 X 2 X 2 1/2 KO	5
H	1 X 1 1/4 X 1 1/2 X 2 X 2 1/2 KO	2
I	.219 X .08 OBLONG KO	4

NOTE: ALL KO LOCATING DIMENSIONS ARE INSIDE OF BOX.

**Wire Range Size**

(1) #6 - 2/0 (CU/AL)

Midwest Electric Products  
Plainville, CT

MIDWEST LOAD CENTER 16/24 CIRCUIT 125A MLO N1  
METALLIC ENCL SURFACE/FLUSH TOP/BOTTOM FEED

CAT NO	DWG DATE	REV #
MLM1612CCU	03/29/2017	01

Note : All Dimensions have ±0.125 Tolerance