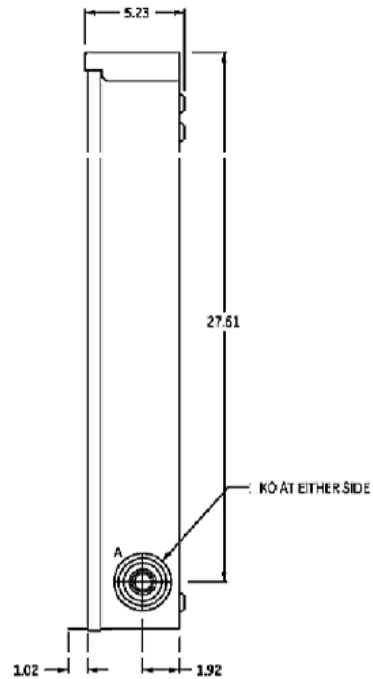
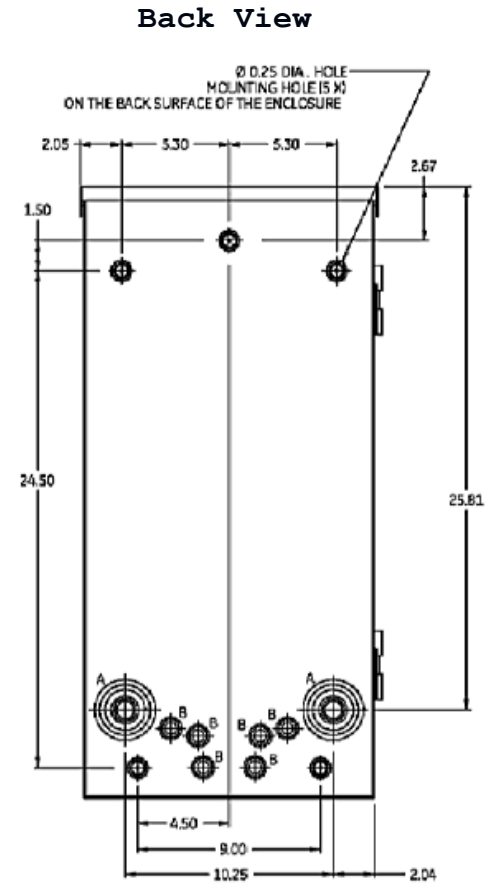


Right Side View



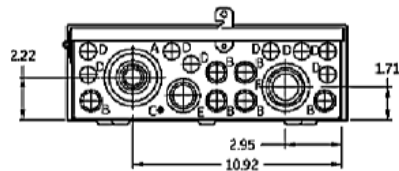
Note : All Dimensions have ± 0.125 Tolerance



Wire Range Size

(1) #6 - 2/0 (CU/AL)

Bottom View



Knockouts

SYMBOL	SIZE	QTY
A	1/2 x 3/4 x 1 x 1 1/2 x 2 x 2 1/2 KO	5
B	1/2 x 3/4 KO	12
C	9/32 KO	1
D	1/2 KO	8
E	3/4 x 1 x 1 1/4 KO	1
F	1 x 1 1/4 x 1 1/2 x 2 KO	1



Midwest Electric Products
Plainville, CT

MIDWEST LOAD CENTER 24/0 CIRCUIT 125A MLO
N3R METALLIC ENCLOSURE TOP FEED

CAT NO	DWG DATE	REV #
MLM2412RCU	03/29/2017	01