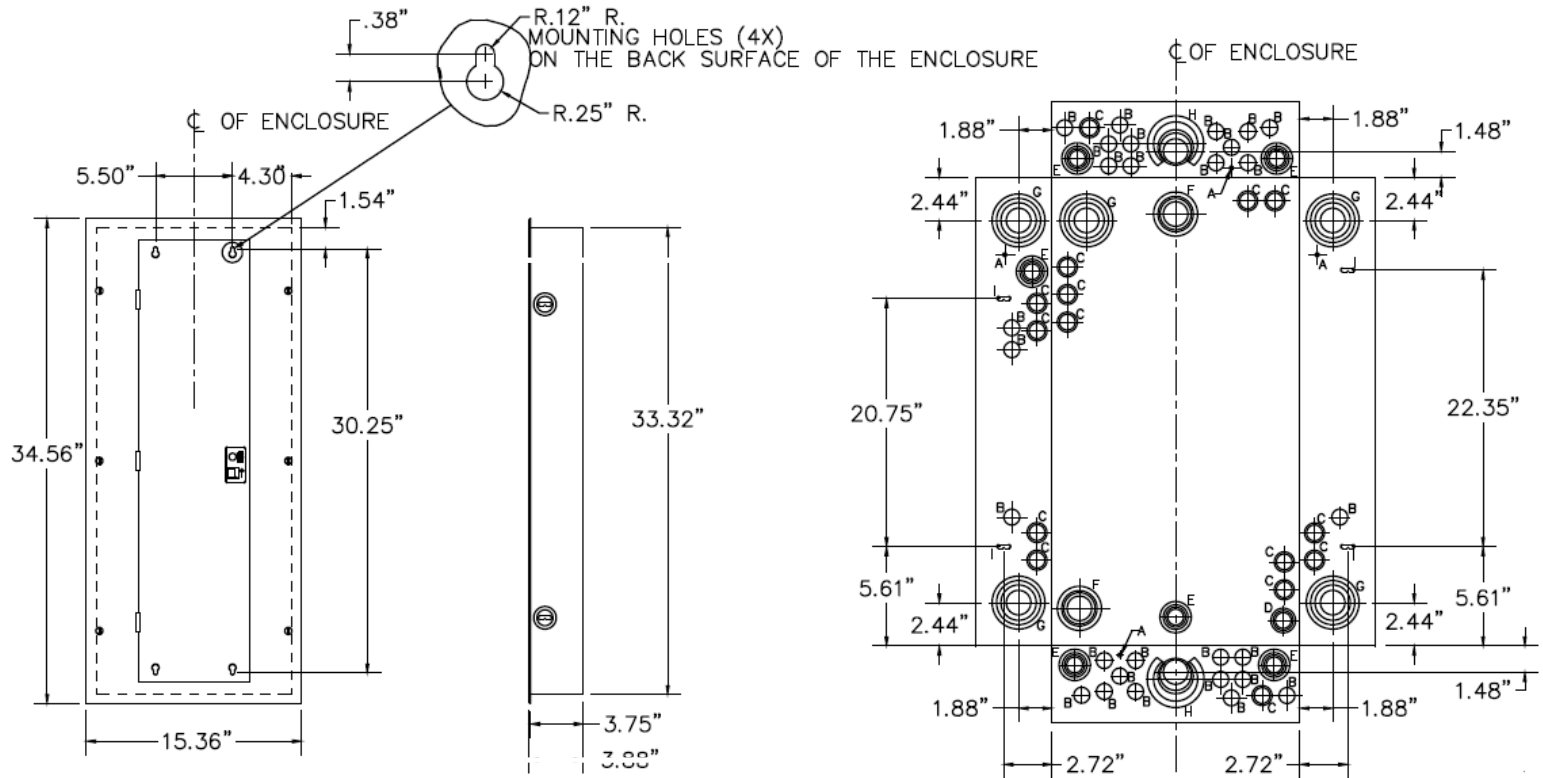


Front View

Right Side View

Knockout View

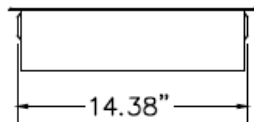


Note : All Dimensions have ± 0.125 Tolerance

Wire Range Size

(1) #6 - 250MCM (AL/CU)

Bottom View



NOTE: ALL KO LOCATING DIMENSIONS ARE INSIDE OF BOX.

Knockouts

SYMBOL	SIZE	QTY.
A	9/32KO	4
B	1/2 KO	28
C	1/2 X 3/4 KO	15
D	1/2 X 3/4 X 1 KO	1
E	1/2 X 3/4 X 1 X 1 1/4 KO	5
F	1 X 1 1/4 X 1 1/2 X 2 KO	2
G	1 X 1 1/2 X 2 X 2 1/2 KO	5
H	1 X 1 1/4 X 1 1/2 X 2 X 2 1/2 KO	2
I	.219 X .08 OBLONG KO	4



Midwest Electric Products
Plainville, CT

MIDWEST LOAD CENTER 32/16 CIRCUIT 200A MLO N1
METALLIC ENCL SURFACE/FLUSH TOP/BOTTOM FEED

CAT NO	DWG DATE	REV #
MLM3220CCU	03/29/2017	01