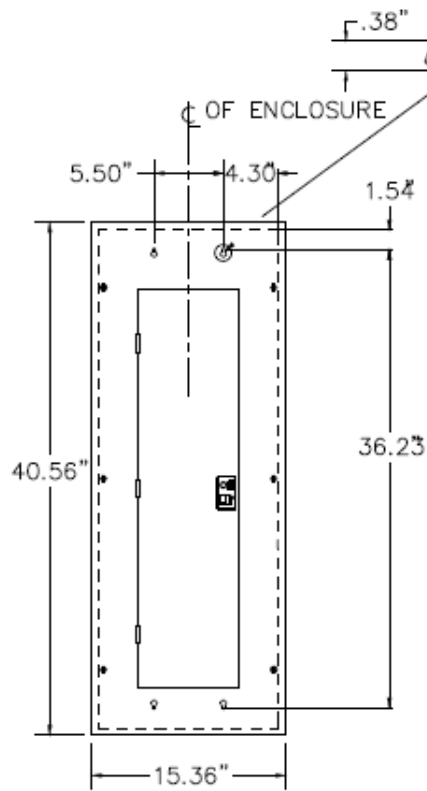
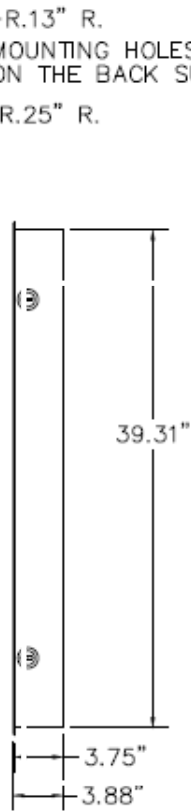


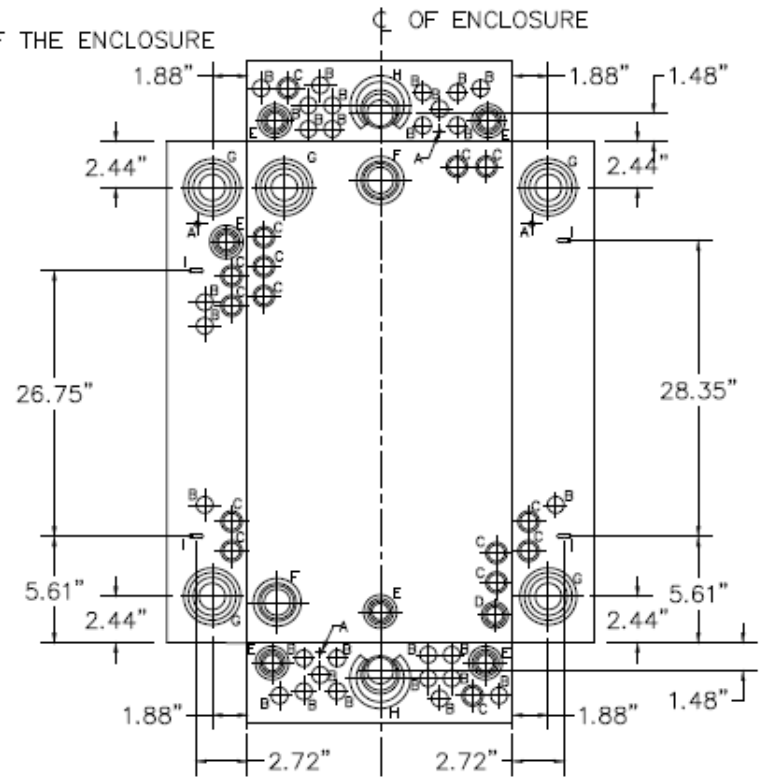
**Front View**



**Right Side View**



**Knockout View**

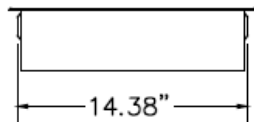


Note : All Dimensions have  $\pm 0.125$  Tolerance

**Wire Range Size**

(1) #6 - 250MCM (AL/CU)

**Bottom View**



NOTE: ALL KO LOCATING DIMENSIONS ARE INSIDE OF BOX.

**Knockouts**

SYMBOL	SIZE	QTY.
A	9/32KO	4
B	1/2 KO	28
C	1/2 X 3/4 KO	15
D	1/2 X 3/4 X 1 KO	1
E	1/2 X 3/4 X 1 X 1 1/4 KO	5
F	1 X 1 1/4 X 1 1/2 X 2 KO	2
G	1 X 1 1/2 X 2 X 2 1/2 KO	5
H	1 X 1 1/4 X 1 1/2 X 2 X 2 1/2 KO	2
I	.219 X .08 OBLONG KO	4



Midwest Electric Products  
Plainville, CT

MIDWEST LOAD CENTER 40/0 CIRCUIT 200A MLO N1  
METALLIC ENCL SURFACE/FLUSH TOP/BOTTOM FEED

CAT NO	DWG DATE	REV #
MLM4020CCU	03/29/2017	01