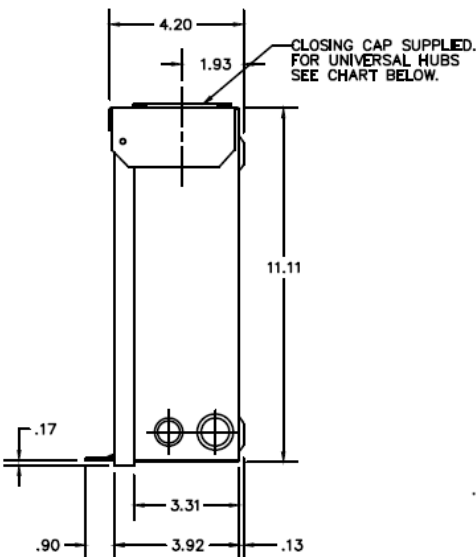


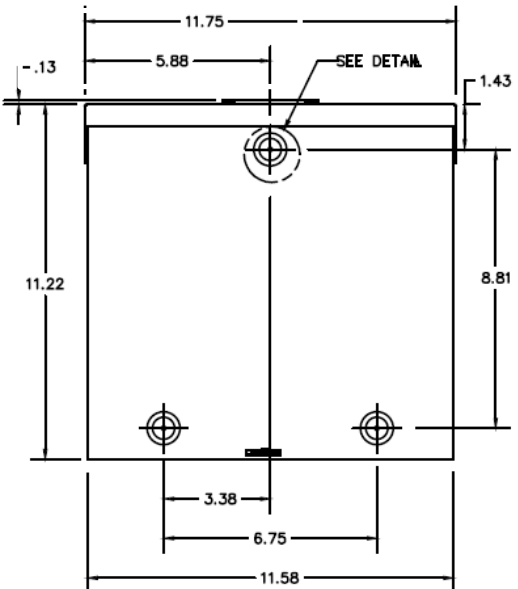
Wire Range Size

(1) #6 - #1 (CU/AL)

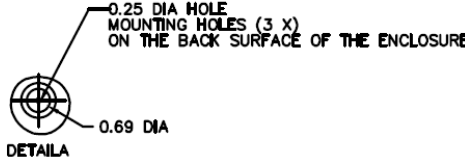
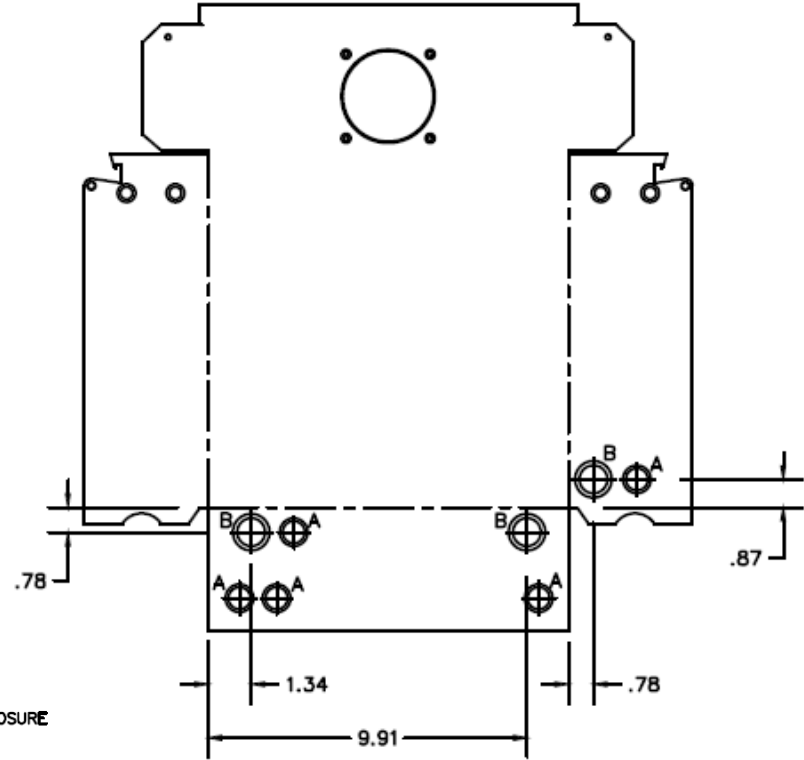
Left Side View



Front View



Knockout View



Knockouts

| SYMBOL | SIZE | QTY |
|--------|--------------|-----|
| A | 3/8 x 1/2 KO | 5 |
| B | 1/2 x 3/4 KO | 3 |



Midwest Electric Products
Plainville, CT

MIDWEST LOAD CENTER 4/12 CIRCUIT 125A MLO
N3R METALLIC ENCLOSURE TOP FEED

| CAT NO | DWG DATE | REV # |
|-----------|------------|-------|
| MLM612RCU | 04/07/2017 | 01 |

Note : All Dimensions have ±0.125 Tolerance