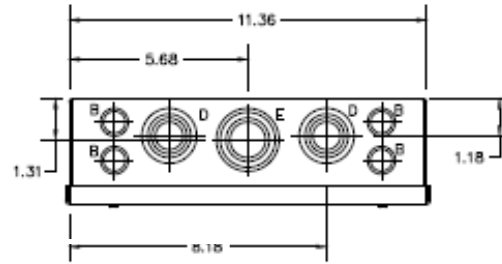


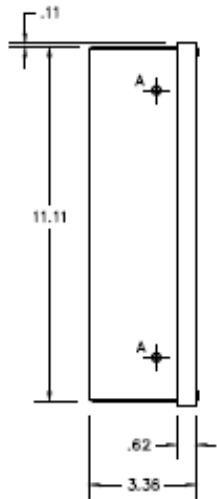
**Top View**



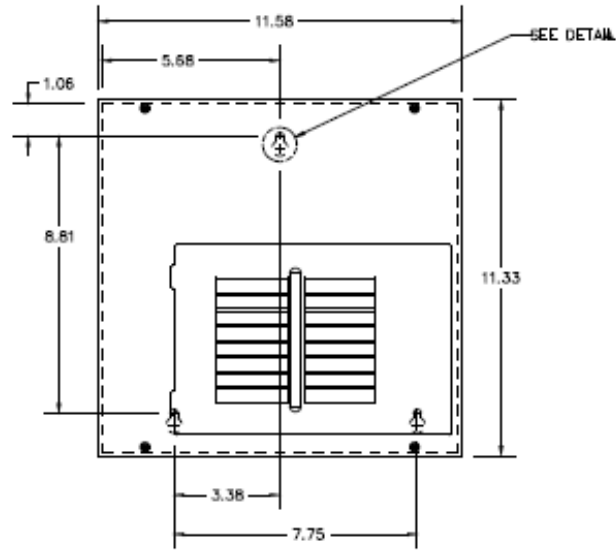
**Wire Range Size**

(1) #6 - #1 (CU/AL)

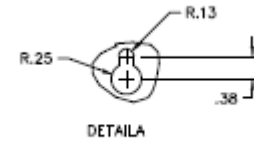
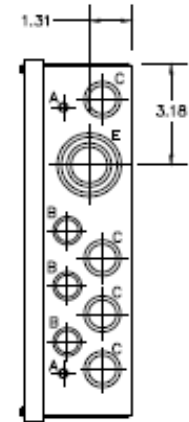
**Left Side View**



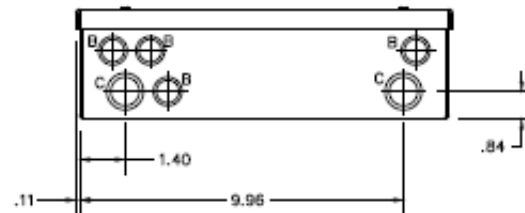
**Front View**



**Right Side View**



**Bottom View**



**Knockouts**

SYMBOL	SIZE	QTY
A	9/32 KO	4
B	3/8 x 1/2 KO	11
C	1/2 x 3/4 KO	8
D	1/2 x 3/4 x 1 x 1 1/4 KO	2
E	3/4 x 1 x 1 1/4 x 1 1/2 KO	2

Note : All Dimensions have ±0.125 Tolerance



Midwest Electric Products  
Plainville, CT

MIDWEST LOAD CENTER 6/12 CIRCUIT 125A MLO N1  
METALLIC ENCLOSURE SURFACE TOP/BOTTOM FEED

CAT NO	DWG DATE	REV #
MLM612SCU	04/07/2017	01