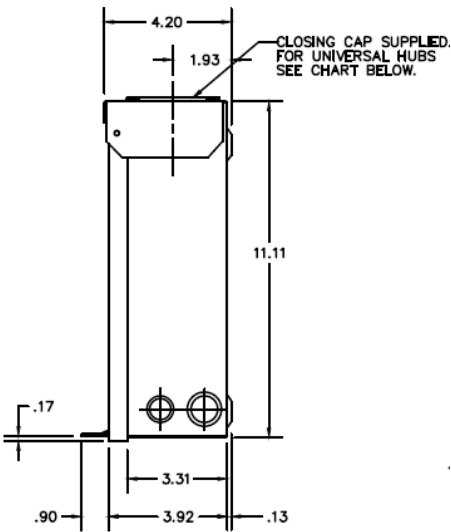


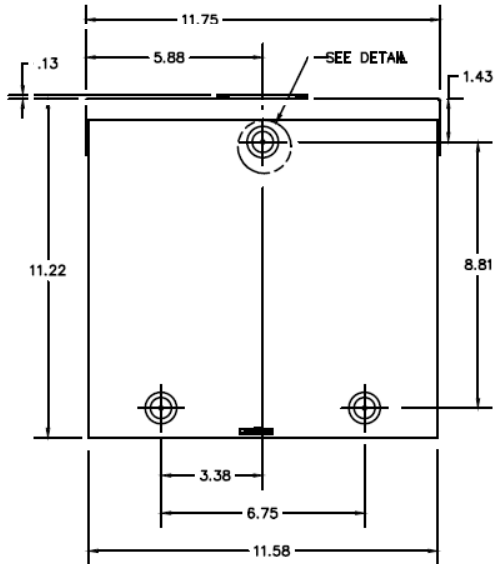
Wire Range Size

(1) #6 - #1 (CU/AL)

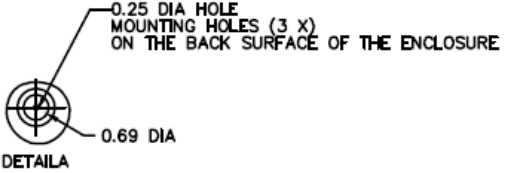
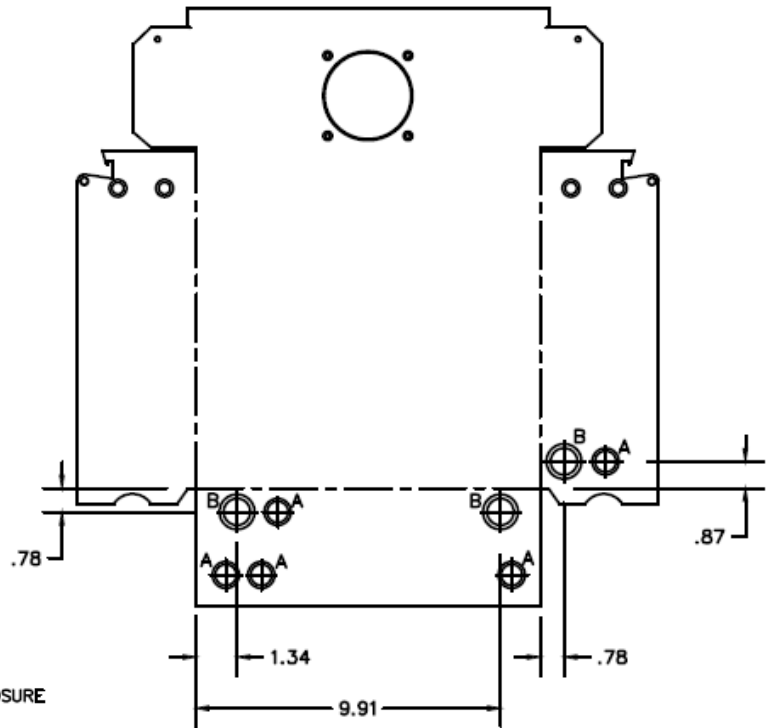
Left Side View



Front View



Knockout View



Knockouts

SYMBOL	SIZE	QTY
A	3/8 x 1/2 KO	5
B	1/2 x 3/4 KO	3



Midwest Electric Products
Plainville, CT

MIDWEST LOAD CENTER 8/16 CIRCUIT 125A MLO
N3R METALLIC ENCLOSURE TOP FEED

CAT NO	DWG DATE	REV #
MLM812RCU	04/07/2017	01

Note : All Dimensions have ±0.125 Tolerance