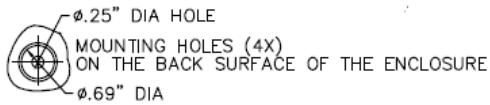
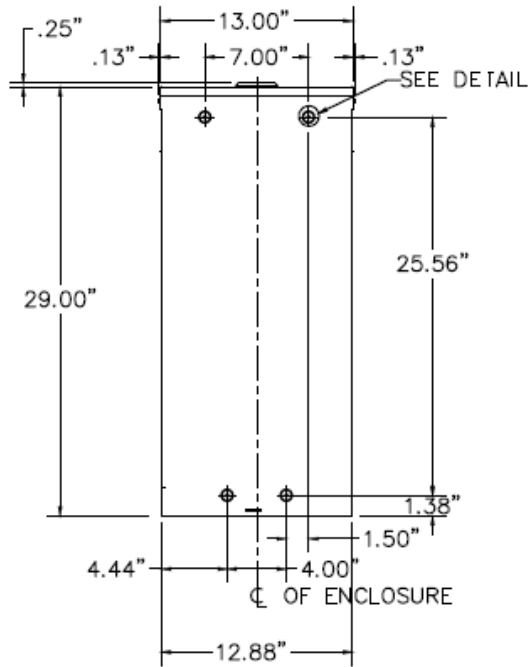


Front View

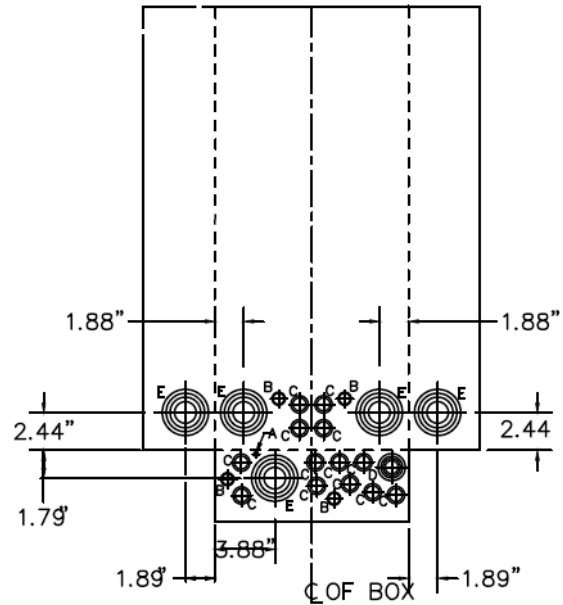


Note : All Dimensions have ± 0.125 Tolerance

Wire Range Size

- (1) #1 - 250MCM (CU)
- (1) 2/0- 250MCM (AL)

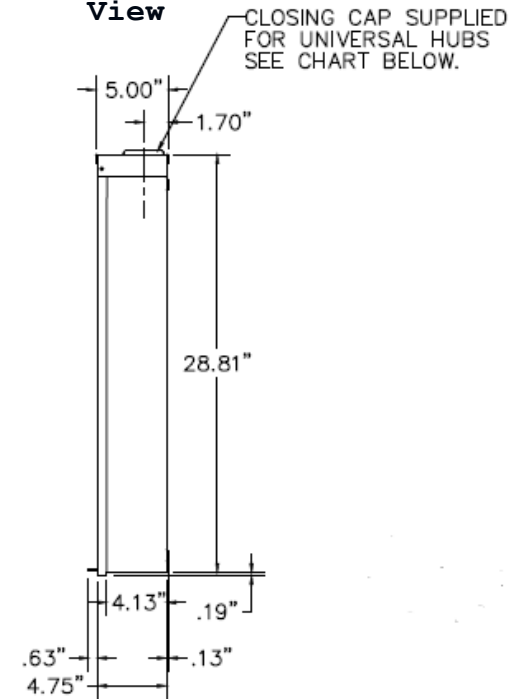
Knockout View



NOTE: ALL KO LOCATING DIMENSIONS ARE INSIDE OF BOX.

UNIVERSAL HUB	
CONDUIT SIZE	CATALOGNO.
3/4	B07
1	B10
1 1/4	B12
1 1/2	B15
2	B20
2 1/2	B25
CLOSING CAP	B01

Right Side View



Knockouts

SYMBOL	SIZE	QTY.
A	9/32 KO	1
B	3/8 X 1/2 KO	4
C	1/2 X 3/4 KO	13
D	1/2 X 3/4 X 1 X 1 1/4 KO	1
E	1 X 1 1/2 X 2 X 2 1/2 KO	5



Midwest Electric Products
Plainville, CT

MIDWEST LOAD CENTER 8/16 CIRCUIT 200A MLO
N3R METALLIC ENCLOSURE TOP FEED

CAT NO	DWG DATE	REV #
MM820RCUFL	03/29/2017	01