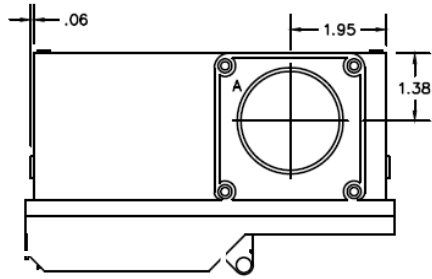
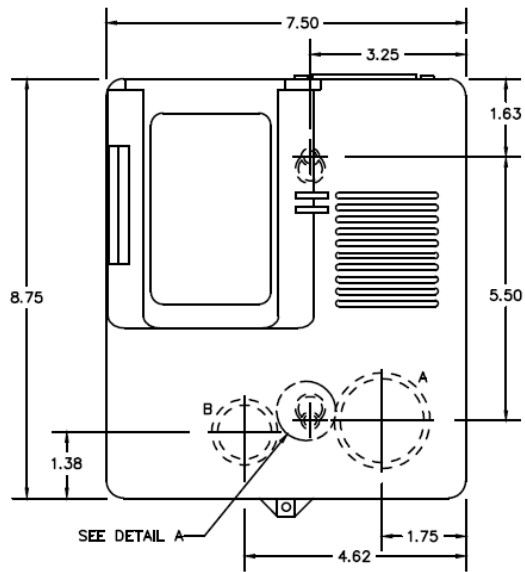


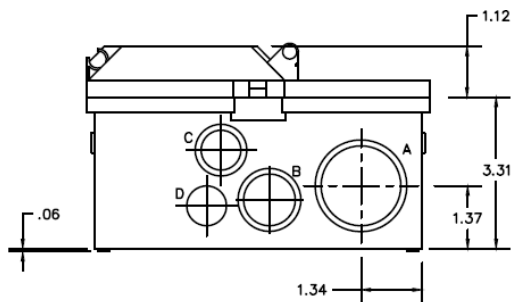
Top View



Front View



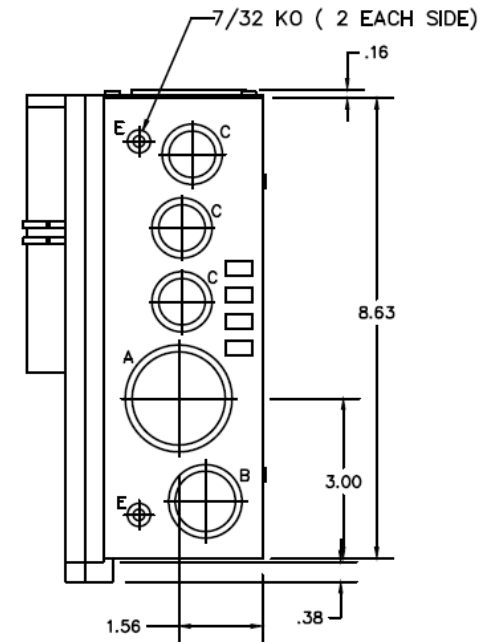
Bottom View



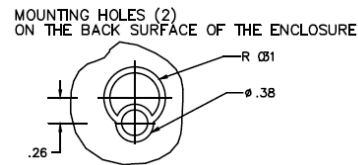
Wire Range Size

(1) #1 - 2/0 (CU/AL)

Right Side View



Detail A



Knockouts

LETTER	DESCRIPTION	QTY
A	1 1/4 x 1 1/2 KO	4
B	3/4 x 1 KO	3
C	1/2 x 3/4 KO	4
D	1/2 KO	1
E	7/32 KO	4

Note : All Dimensions have ±0.125 Tolerance



Midwest Electric Products
Plainville, CT

MIDWEST LOAD CENTER 4/8 CIRCUIT 125A MLO
N3R THERMOPLASTIC ENCLOSURE TOP FEED

CAT NO	DWG DATE	REV #
MPL412R	03/29/2017	01