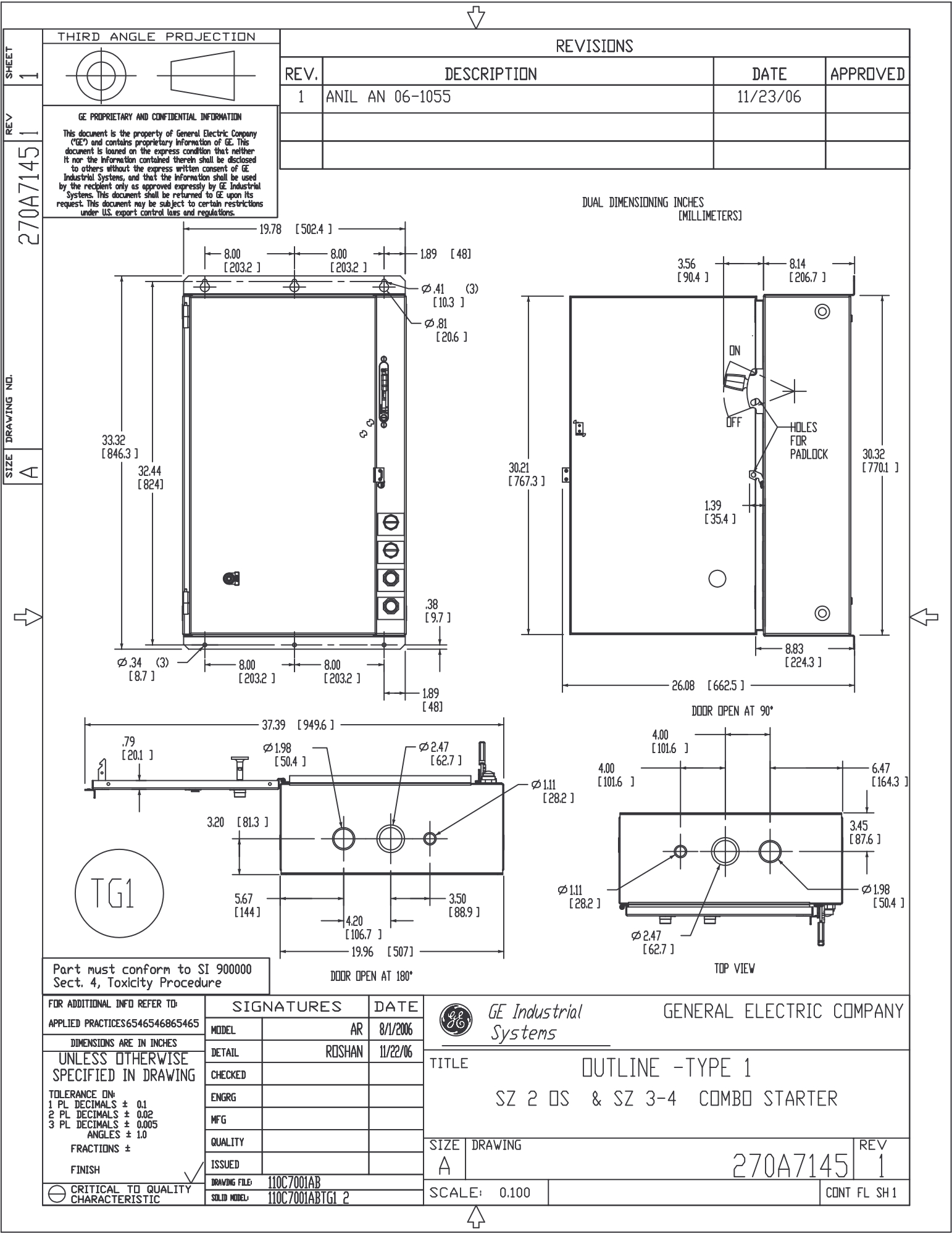


## Full-Voltage 2 Speed - 1 Winding and 2 Speed - 2 Winding NEMA Combination Starters Outline Drawings

Catalog Prefix	NEMA Size Code	Enclosure Type Code	Drawing Number	Description
412	B, C, D	1	270A7145	Thermal-Mag, NEMA Size 0-2, Type 1 Enclosure, 2 Speed - 1 Winding
412	E, F	1	270A7146	Thermal-Mag, NEMA Size 3-4, Type 1 Enclosure, 2 Speed - 1 Winding
412	B, C, D	6, 2	270A7149	Thermal-Mag, NEMA Size 0-2, Type 3R Enclosure, 2 Speed - 1 Winding
412	E, F	6, 2	270A7150	Thermal-Mag, NEMA Size 3-4, Type 3R Enclosure, 2 Speed - 1 Winding
412	B, C, D	4	270A7153	Thermal-Mag, NEMA Size 0-2, Type 4 Enclosure, 2 Speed - 1 Winding
412	E, F	4	270A7154	Thermal-Mag, NEMA Size 3-4, Type 4 Enclosure, 2 Speed - 1 Winding
413	B, C, D	1	270A7145	Disconnect, NEMA Size 0-2, Type 1 Enclosure, 2 Speed - 1 Winding
413	E, F	1	270A7146	Disconnect, NEMA Size 3-4, Type 1 Enclosure, 2 Speed - 1 Winding
413	B, C, D	6, 2	270A7149	Disconnect, NEMA Size 0-2, Type 3R Enclosure, 2 Speed - 1 Winding
413	E, F	6, 2	270A7150	Disconnect, NEMA Size 3-4, Type 3R Enclosure, 2 Speed - 1 Winding
413	B, C, D	4	270A7153	Disconnect, NEMA Size 0-2, Type 4 Enclosure, 2 Speed - 1 Winding
413	E, F	4	270A7154	Disconnect, NEMA Size 3-4, Type 4 Enclosure, 2 Speed - 1 Winding
492	B, C, D	1	270A7145	Mag-Break, NEMA Size 0-2, Type 1 Enclosure, 2 Speed - 1 Winding
492	E, F	1	270A7146	Mag-Break, NEMA Size 3-4, Type 1 Enclosure, 2 Speed - 1 Winding
492	B, C, D	6, 2	270A7149	Mag-Break, NEMA Size 0-2, Type 3R Enclosure, 2 Speed - 1 Winding
492	E, F	6, 2	270A7150	Mag-Break, NEMA Size 3-4, Type 3R Enclosure, 2 Speed - 1 Winding
492	B, C, D	4	270A7153	Mag-Break, NEMA Size 0-2, Type 4 Enclosure, 2 Speed - 1 Winding
492	E, F	4	270A7154	Mag-Break, NEMA Size 3-4, Type 4 Enclosure, 2 Speed - 1 Winding
414	B, C, D	1	270A7145	Thermal-Mag, NEMA Size 0-2, Type 1 Enclosure, 2 Speed - 2 Winding
414	E, F	1	270A7146	Thermal-Mag, NEMA Size 3-4, Type 1 Enclosure, 2 Speed - 2 Winding
414	B, C, D	6, 2	270A7149	Thermal-Mag, NEMA Size 0-2, Type 3R Enclosure, 2 Speed - 2 Winding
414	E, F	6, 2	270A7150	Thermal-Mag, NEMA Size 3-4, Type 3R Enclosure, 2 Speed - 2 Winding
414	B, C, D	4	270A7153	Thermal-Mag, NEMA Size 0-2, Type 4 Enclosure, 2 Speed - 2 Winding
414	E, F	4	270A7154	Thermal-Mag, NEMA Size 3-4, Type 4 Enclosure, 2 Speed - 2 Winding
415	B, C, D	1	270A7145	Disconnect, NEMA Size 0-2, Type 1 Enclosure, 2 Speed - 2 Winding
415	E, F	1	270A7146	Disconnect, NEMA Size 3-4, Type 1 Enclosure, 2 Speed - 2 Winding
415	B, C, D	6, 2	270A7149	Disconnect, NEMA Size 0-2, Type 3R Enclosure, 2 Speed - 2 Winding
415	E, F	6, 2	270A7150	Disconnect, NEMA Size 3-4, Type 3R Enclosure, 2 Speed - 2 Winding
415	B, C, D	4	270A7153	Disconnect, NEMA Size 0-2, Type 4 Enclosure, 2 Speed - 2 Winding
415	E, F	4	270A7154	Disconnect, NEMA Size 3-4, Type 4 Enclosure, 2 Speed - 2 Winding
494	B, C, D	1	270A7145	Mag-Break, NEMA Size 0-2, Type 1 Enclosure, 2 Speed - 2 Winding
494	E, F	1	270A7146	Mag-Break, NEMA Size 3-4, Type 1 Enclosure, 2 Speed - 2 Winding
494	B, C, D	6, 2	270A7149	Mag-Break, NEMA Size 0-2, Type 3R Enclosure, 2 Speed - 2 Winding
494	E, F	6, 2	270A7150	Mag-Break, NEMA Size 3-4, Type 3R Enclosure, 2 Speed - 2 Winding
494	B, C, D	4	270A7153	Mag-Break, NEMA Size 0-2, Type 4 Enclosure, 2 Speed - 2 Winding
494	E, F	4	270A7154	Mag-Break, NEMA Size 3-4, Type 4 Enclosure, 2 Speed - 2 Winding



Part must conform to SI 900000 Sect. 4, Toxicity Procedure

FOR ADDITIONAL INFO REFER TO:	SIGNATURES	DATE
APPLIED PRACTICES 6546546865465	MODEL AR	8/1/2006
DIMENSIONS ARE IN INCHES	DETAIL ROSHAN	11/22/06
UNLESS OTHERWISE SPECIFIED IN DRAWING	CHECKED	
TOLERANCE IN: 1 PL DECIMALS ± 0.1 2 PL DECIMALS ± 0.02 3 PL DECIMALS ± 0.005 ANGLES ± 1.0 FRACTIONS ±	ENGRG	
FINISH	MFG	
	QUALITY	
	ISSUED	
	DRAWING FILE: 110C7001AB	
	SOLID MODEL: 110C7001ABTG1 2	

GE Industrial Systems GENERAL ELECTRIC COMPANY

TITLE: OUTLINE -TYPE 1  
 SZ 2 OS & SZ 3-4 COMBO STARTER

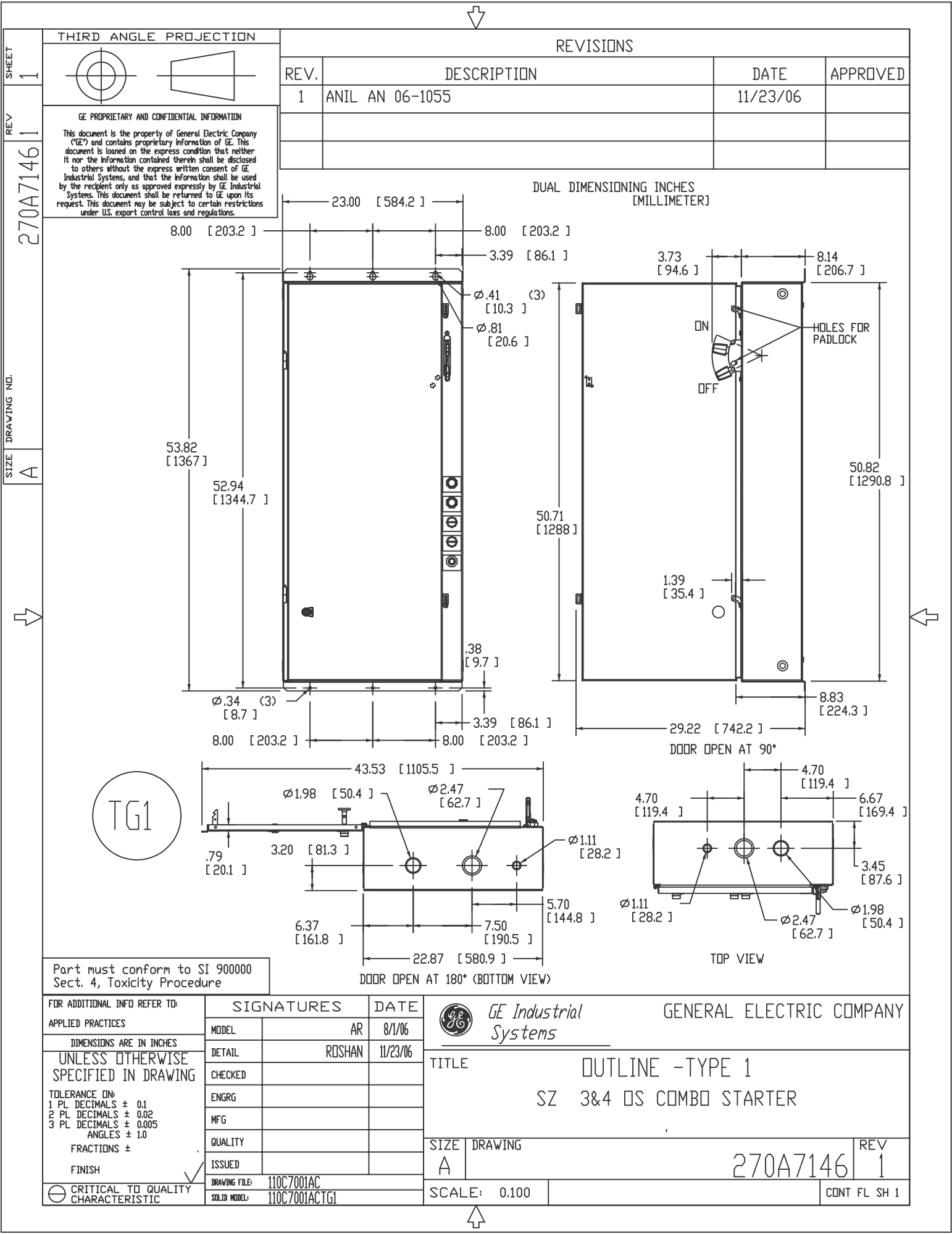
SIZE: DRAWING A

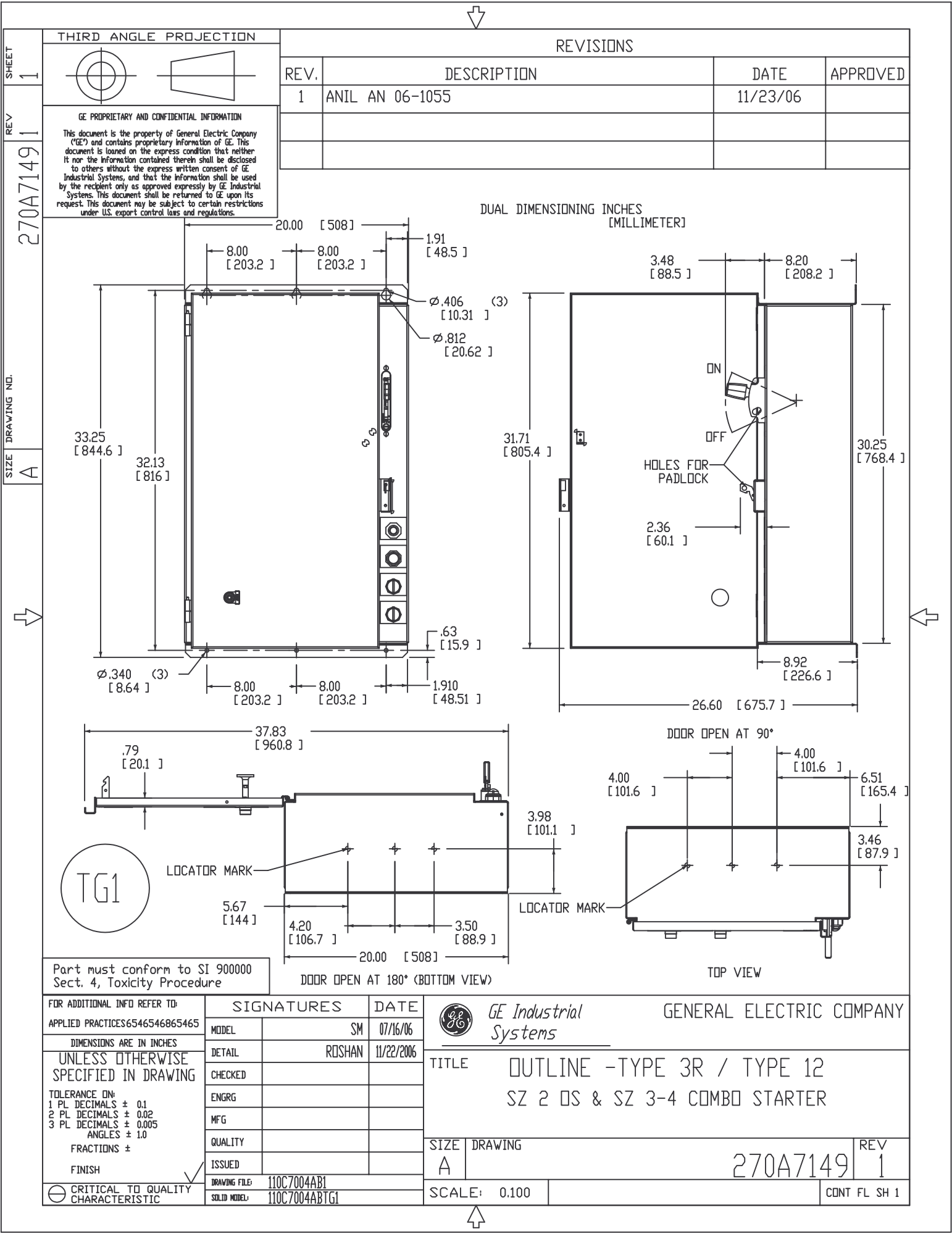
SCALE: 0.100

REV: 1

270A7145

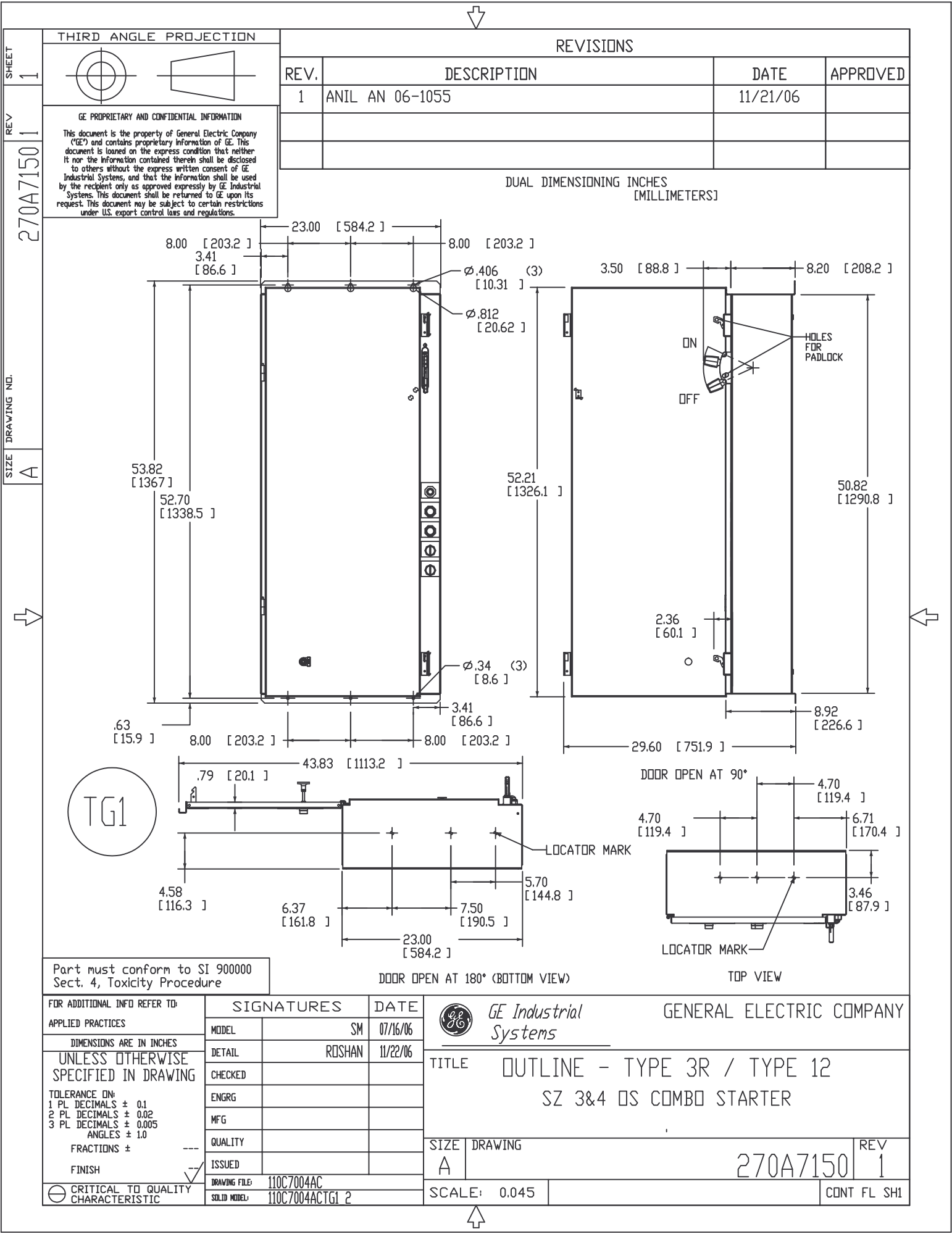
CONT FL SH 1





Part must conform to SI 900000 Sect. 4, Toxicity Procedure

FOR ADDITIONAL INFO REFER TO: APPLIED PRACTICES 6546546865465	SIGNATURES	DATE	<b>GE Industrial Systems</b> GENERAL ELECTRIC COMPANY
DIMENSIONS ARE IN INCHES <b>UNLESS OTHERWISE SPECIFIED IN DRAWING</b>	MODEL	SM 07/16/06	
TOLERANCE ON: 1 PL DECIMALS ± 0.1 2 PL DECIMALS ± 0.02 3 PL DECIMALS ± 0.005 ANGLES ± 1.0 FRACTIONS ±	DETAIL	ROSHAN 11/22/2006	TITLE <b>OUTLINE -TYPE 3R / TYPE 12          SZ 2 OS &amp; SZ 3-4 COMBO STARTER</b>
FINISH	CHECKED		
CRITICAL TO QUALITY CHARACTERISTIC	ENGRG		SIZE DRAWING
	MFG		A
	QUALITY		270A7149
	ISSUED		REV
	DRAWING FILE: 110C7004AB1		1
	SOLID MODEL: 110C7004ABTGI		



Part must conform to SI 900000 Sect. 4, Toxicity Procedure

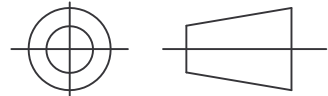
DOOR OPEN AT 180° (BOTTOM VIEW)

TOP VIEW

FOR ADDITIONAL INFO REFER TO: APPLIED PRACTICES DIMENSIONS ARE IN INCHES <b>UNLESS OTHERWISE SPECIFIED IN DRAWING</b> TOLERANCE ON: 1 PL DECIMALS ± 0.1 2 PL DECIMALS ± 0.02 3 PL DECIMALS ± 0.005 ANGLES ± 1.0 FRACTIONS ± --- FINISH CRITICAL TO QUALITY CHARACTERISTIC	SIGNATURES		DATE	<b>GE Industrial Systems</b> GENERAL ELECTRIC COMPANY	TITLE <b>OUTLINE - TYPE 3R / TYPE 12</b> <b>SZ 3&amp;4 OS COMBO STARTER</b>
	MODEL	SM	07/16/06		
	DETAIL	ROSHAN	11/22/06		
	CHECKED				
	ENGRG				
MFG			SIZE	DRAWING	REV
QUALITY			A		1
ISSUED			270A7150		
DRAWING FILE: 110C7004AC	SOLID MODEL: 110C7004ACTG1 2		SCALE: 0.045	CONT FL SH1	

SHEET 1  
 REV 270A7153 2  
 DRAWING NO. A  
 SIZE A  
 ↑

THIRD ANGLE PROJECTION

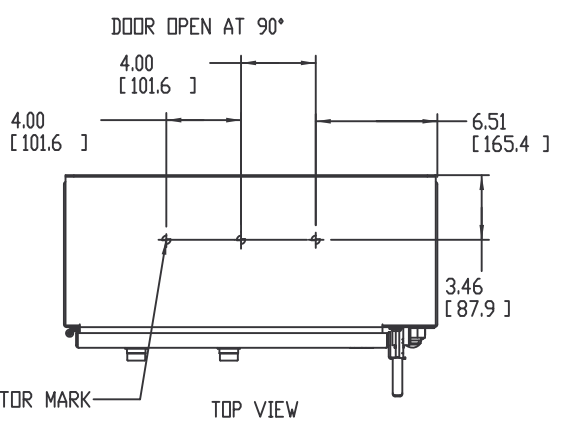
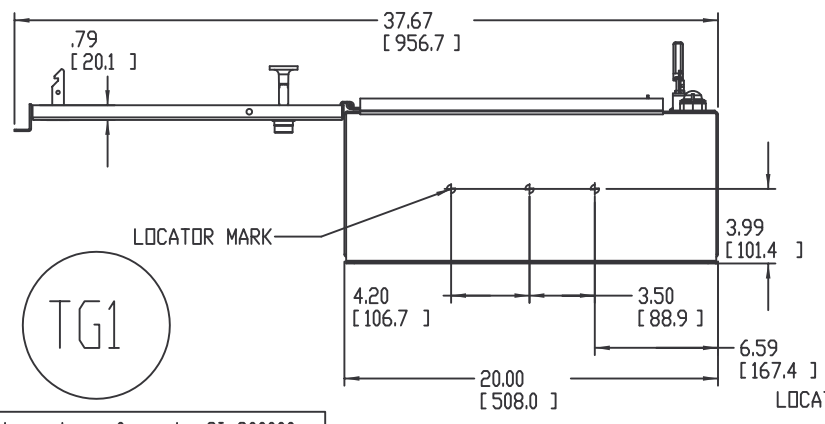
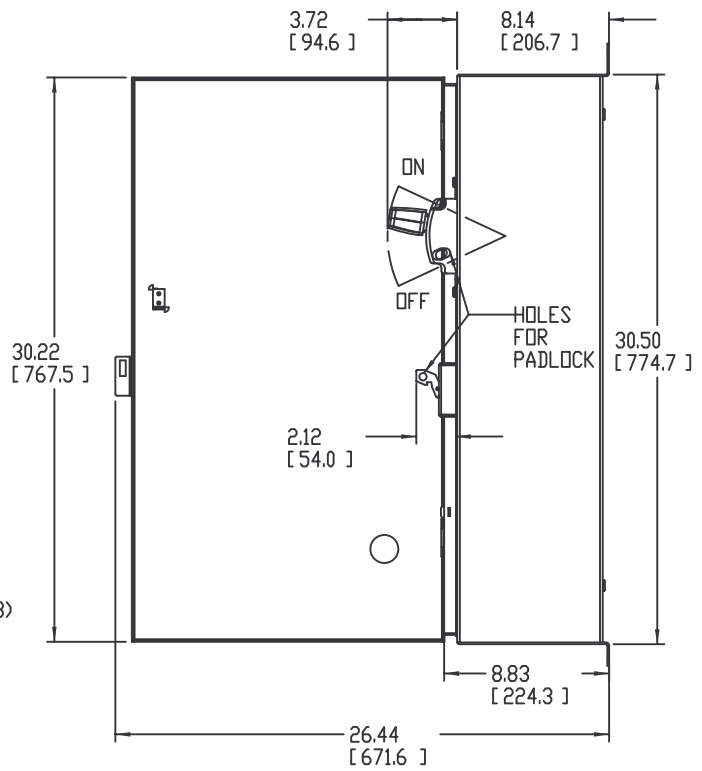
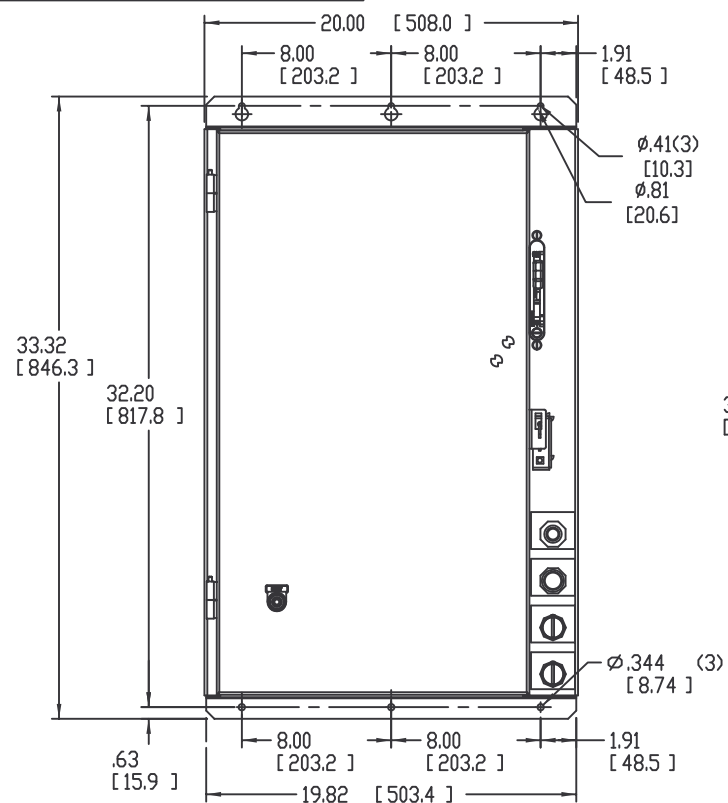


REVISIONS

REV.	DESCRIPTION	DATE	APPROVED
1	ANIL AN 06-1055	11/17/06	
2	ANIL AN 06-1061	12/14/06	

**GE PROPRIETARY AND CONFIDENTIAL INFORMATION**  
 This document is the property of General Electric Company ("GE") and contains proprietary information of GE. This document is loaned on the express condition that neither it nor the information contained therein shall be disclosed to others without the express written consent of GE Industrial Systems, and that the information shall be used by the recipient only as approved expressly by GE Industrial Systems. This document shall be returned to GE upon its request. This document may be subject to certain restrictions under U.S. export control laws and regulations.

DUAL DIMENSIONS INCHES [MILLIMETERS]



Part must conform to SI 900000 Sect. 4, Toxicity Procedure

DOOR OPEN AT 180° (BOTTOM VIEW)

FOR ADDITIONAL INFO REFER TO: APPLIED PRACTICES DIMENSIONS ARE IN INCHES <b>UNLESS OTHERWISE SPECIFIED IN DRAWING</b> TOLERANCE ON: 1 PL DECIMALS ± 0.1 2 PL DECIMALS ± 0.02 3 PL DECIMALS ± 0.005 ANGLES ± 1.0 FRACTIONS ± FINISH	SIGNATURES		DATE	GE Industrial Systems GENERAL ELECTRIC COMPANY
	MODEL	ROSHAN	08/10/06	
	DETAIL	JP	11/17/06	
	CHECKED			
	ENGRG			TITLE OUTLINE-TYPE 4 SZ 2 OS SZ 3 & 4 COMBO STARTERS
	MFG			
	QUALITY			
	ISSUED			SIZE DRAWING A
CRITICAL TO QUALITY CHARACTERISTIC	DRAWING FILE:	110C7003ABTG1		SCALE: 3:50
	SOLID MODEL:	110C7003ABTG1		REV 270A7153 2 CONT FL SH 1

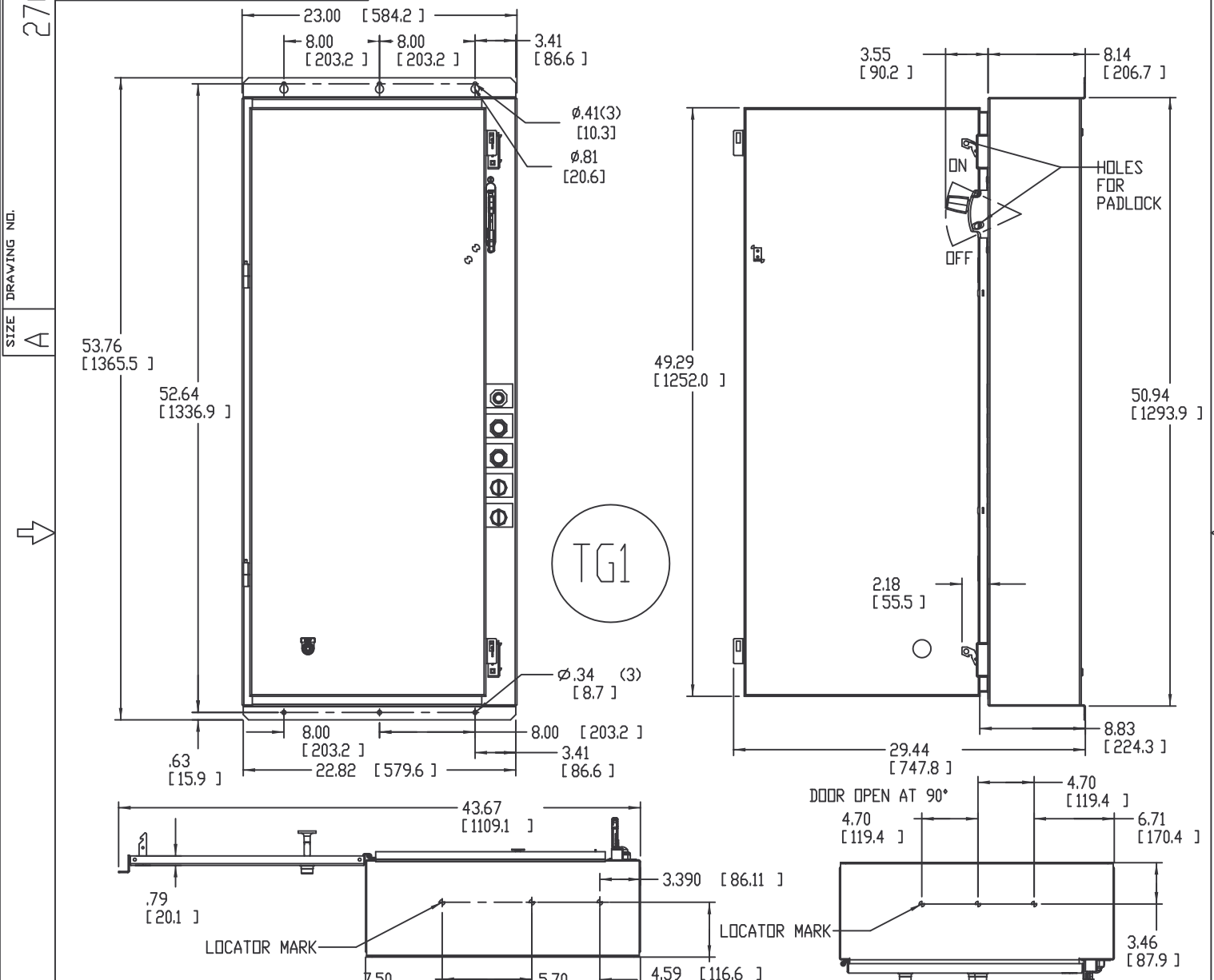
THIRD ANGLE PROJECTION

REV SHEET  
270A7154 2  
1

REVISIONS			
REV.	DESCRIPTION	DATE	APPROVED
1	ANIL AN 06-1055	11/17/06	
2	ANIL AN 06-1061	12/14/06	

GE PROPRIETARY AND CONFIDENTIAL INFORMATION  
 This document is the property of General Electric Company ("GE") and contains proprietary information of GE. This document is loaned on the express condition that neither it nor the information contained therein shall be disclosed to others without the express written consent of GE Industrial Systems, and that the information shall be used by the recipient only as approved expressly by GE Industrial Systems. This document shall be returned to GE upon its request. This document may be subject to certain restrictions under U.S. export control laws and regulations.

DUAL DIMENSIONS IN INCHES  
[MILLIMETERS]



Part must conform to SI 900000 Sect. 4, Toxicity Procedure

FOR ADDITIONAL INFO REFER TO: APPLIED PRACTICES 6546546865465	SIGNATURES		DATE	<b>GE Industrial Systems</b> GENERAL ELECTRIC COMPANY
DIMENSIONS ARE IN INCHES UNLESS OTHERWISE SPECIFIED IN DRAWING	MODEL	SM	08/10/06	
TOLERANCE ON: 1 PL DECIMALS ± 0.1 2 PL DECIMALS ± 0.02 3 PL DECIMALS ± 0.005 ANGLES ± 1.0 FRACTIONS ± FINISH	DETAIL	JP	11/17/06	TITLE OUTLINE-TYPE 4 SZ 3&4 DS COMBO STARTERS
	CHECKED	ENGRG		
	MFG	QUALITY		
	ISSUED			
CRITICAL TO QUALITY CHARACTERISTIC	DRAWING FILE:	110C7003ACTG1		SIZE DRAWING
	SOLID MODEL:	110C7003ACTG1		A
		SCALE:	1:20	REV 270A7154 2
				CONT FL SH 1