

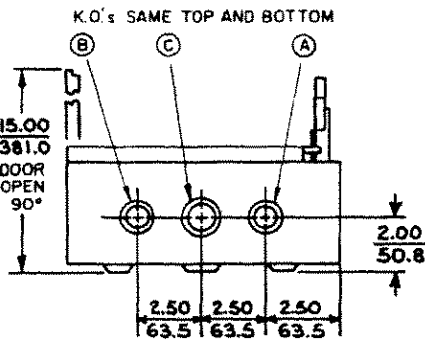
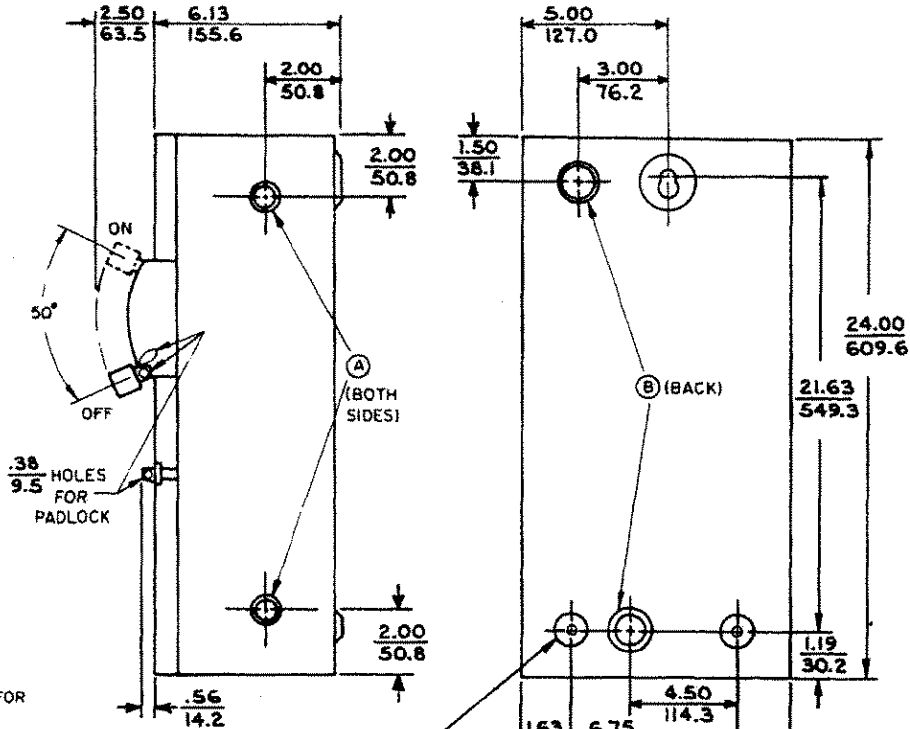
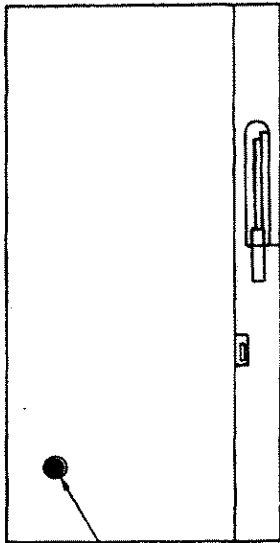
Full-Voltage Non-Reversing NEMA Combination Starters - Outline Drawings

Catalog Prefix	NEMA Size Code	Enclosure Type Code	Drawing Number	Description
307	B, C, D	T	55-178488	Thermal-Mag , NEMA Size 0-2, Type 1 Standard Size Enclosure
407	E, F	1	270A7145	Thermal-Mag , NEMA Size 3-4, Type 1 Standard Size Enclosure
407	B, C, D	5	270A7145	Thermal-Mag , NEMA Size 0-2, Type 1 Oversized Enclosure
407	E, F	5	270A7146	Thermal-Mag , NEMA Size 3-4, Type 1 Oversized Enclosure
407	B, C, D	6, 2	270A7148	Thermal-Mag , NEMA Size 0-2, Type 3R/12 Standard Size Enclosure
407	E, F	6, 2	270A7149	Thermal-Mag , NEMA Size 3-4, Type 3R/12 Standard Size Enclosure
407	B, C, D	R, 7	270A7149	Thermal-Mag , NEMA Size 0-2, Type 3R/12 Oversized Enclosure
407	E, F	R, 7	270A7150	Thermal-Mag , NEMA Size 3-4, Type 3R/12 Oversized Enclosure
407	B, C, D	4	270A7152	Thermal-Mag , NEMA Size 0-2, Type 4/4X Standard Size Enclosure
407	E, F	4	270A7153	Thermal-Mag , NEMA Size 3-4, Type 4/4X Standard Size Enclosure
407	B, C, D	S	270A7153	Thermal-Mag , NEMA Size 0-2, Type 4/4X Oversized Enclosure
407	E, F	S	270A7154	Thermal-Mag , NEMA Size 3-4, Type 4/4X Oversized Enclosure
308	B, C	T	55-178488	Disconnect, NEMA Size 0-2, Type 1 Standard Size Enclosure
308	D	T	55-178488	Disconnect, NEMA Size 0-2, Type 1 Standard Size Enclosure - excludes 100A, 600V fuse clips (protective device codes [catalog number digits 10 & 11] ≠ H1, R1, J1)
308	D	T	270A7145	Disconnect, NEMA Size 0-2, Type 1 Standard Size Enclosure - includes 100A, 600V fuse clips (protective device codes [catalog number digits 10 & 11] = H1, R1, J1)
408	E	1	270A7145	Disconnect, NEMA Size 3, Type 1 Standard Size Enclosure - excludes 200A fuse clips (protective device codes [catalog number digits 10 & 11] ≠ HD, H2, RD, J2)
408	E	1	270A7146	Disconnect, NEMA Size 3, Type 1 Standard Size Enclosure - includes 200A fuse clips (protective device codes [catalog number digits 10 & 11] = HD, H2, RD, J2)
408	F	1	270A7145	Non-Fusible Disconnect, NEMA Size 4, Type 1 Standard Size Enclosure (protective device code [catalog number digits 10 & 11] = 1A)
408	F	1	270A7146	Fusible Disconnect, NEMA Size 4, Type 1 Standard Size Enclosure (protective device code [catalog number digits 10 & 11] ≠ 1A)
408	B, C, D	5	270A7145	Disconnect, NEMA Size 0-2, Type 1 Oversized Enclosure
408	E	5	270A7146	Disconnect, NEMA Size 3, Type 1 Oversized Enclosure
408	F	5	270A7146	Disconnect, NEMA Size 4, Type 1 Oversized Enclosure
408	B, C, D	6, 2	270A7148	Disconnect, NEMA Size 0-2, Type 3R/12 Standard Size Enclosure
408	E	6, 2	270A7149	Disconnect, NEMA Size 3, Type 3R/12 Standard Size Enclosure - excludes 200A fuse clips (protective device codes [catalog number digits 10 & 11] ≠ HD, H2, RD, J2)
408	E	6, 2	270A7150	Disconnect, NEMA Size 3, Type 3R/12 Standard Size Enclosure - includes 200A fuse clips (protective device codes [catalog number digits 10 & 11] = HD, H2, RD, J2)
408	F	6, 2	270A7149	Non-Fusible Disconnect, NEMA Size 4, Type 3R/12 Standard Size Enclosure (protective device code [catalog number digits 10 & 11] = 1A)
408	F	6, 2	270A7150	Fusible Disconnect, NEMA Size 4, Type 3R/12 Standard Size Enclosure (protective device code [catalog number digits 10 & 11] ≠ 1A)
408	B, C, D	R, 7	270A7149	Disconnect, NEMA Size 0-2, Type 3R/12 Oversized Enclosure
408	E	R, 7	270A7150	Disconnect, NEMA Size 3, Type 3R/12 Oversized Enclosure
408	F	R, 7	270A7150	Disconnect, NEMA Size 4, Type 3R/12 Oversized Enclosure
408	B, C, D	4	270A7152	Disconnect, NEMA Size 0-2, Type 4 Standard Size Enclosure
408	E	4	270A7153	Disconnect, NEMA Size 3, Type 4 Standard Size Enclosure - excludes 200A fuse clips (protective device codes [catalog number digits 10 & 11] ≠ HD, H2, RD, J2)
408	E	4	270A7154	Disconnect, NEMA Size 3, Type 4 Standard Size Enclosure - includes 200A fuse clips (protective device codes [catalog number digits 10 & 11] = HD, H2, RD, J2)
408	F	4	270A7153	Non-Fusible Disconnect, NEMA Size 4, Type 4 Standard Size Enclosure (protective device code [catalog number digits 10 & 11] = 1A)
408	F	4	270A7154	Fusible Disconnect, NEMA Size 4, Type 4 Standard Size Enclosure (protective device code [catalog number digits 10 & 11] ≠ 1A)
408	B, C, D	S	270A7153	Disconnect, NEMA Size 0-2, Type 4 Oversized Enclosure
408	E	S	270A7154	Disconnect, NEMA Size 3, Type 4 Oversized Enclosure
408	F	S	270A7154	Disconnect, NEMA Size 4, Type 4 Oversized Enclosure
387	B, C, D	T	55-178488	Mag-Break , NEMA Size 0-2, Type 1 Standard Size Enclosure
487	E, F	1	270A7145	Mag-Break , NEMA Size 3-4, Type 1 Standard Size Enclosure
487	B, C, D	5	270A7145	Mag-Break , NEMA Size 0-2, Type 1 Oversized Enclosure
487	E, F	5	270A7146	Mag-Break , NEMA Size 3-4, Type 1 Oversized Enclosure
487	B, C, D	6, 2	270A7148	Mag-Break , NEMA Size 0-2, Type 3R/12 Standard Size Enclosure
487	E, F	6, 2	270A7149	Mag-Break , NEMA Size 3-4, Type 3R/12 Standard Size Enclosure
487	B, C, D	R, 7	270A7149	Mag-Break , NEMA Size 0-2, Type 3R/12 Oversized Enclosure
487	E, F	R, 7	270A7150	Mag-Break , NEMA Size 3-4, Type 3R/12 Oversized Enclosure
487	B, C, D	4	270A7152	Mag-Break , NEMA Size 0-2, Type 4/4X Standard Size Enclosure
487	E, F	4	270A7153	Mag-Break , NEMA Size 3-4, Type 4/4X Standard Size Enclosure
487	B, C, D	S	270A7153	Mag-Break , NEMA Size 0-2, Type 4/4X Oversized Enclosure
487	E, F	S	270A7154	Mag-Break , NEMA Size 3-4, Type 4/4X Oversized Enclosure

REV NO.
CONT ON SHEET SH NO.

TITLE
OUTLINE
FIRST MADE FOR CR307-308 B,C & D

REVISIONS



- (A) COMB. K.O.'s FOR 1/2 OR 3/4 CONDUIT
- (B) COMB. K.O.'s FOR 3/4 OR 1" CONDUIT
- (C) COMB. K.O.'s FOR 1" OR 1 1/4 CONDUIT

3 MOUNTING HOLES FOR 3/8" SCREWS

DUAL DIMENSIONS = $\frac{\text{INCHES}}{\text{MILLIMETERS}}$

2 May 20, 1981
RE-1251 RE-ISSUED

MADE BY
C. DE VISSER JULY 17, 1968
ISSUED
RE-*May 20, 1981*

APPROVALS
DRW

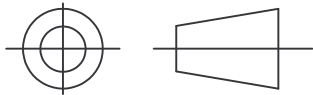
GENERAL PURPOSE CONTROL
BLOOMINGTON, ILL. LOCATION

DEPT. **55-178488**
CONT ON SHEET FL. SH NO. 1
CODE IDENT NO.

PRINTS TO

SHEET 1
 REV 270A7145 1
 SIZE DRAWING NO. A

THIRD ANGLE PROJECTION

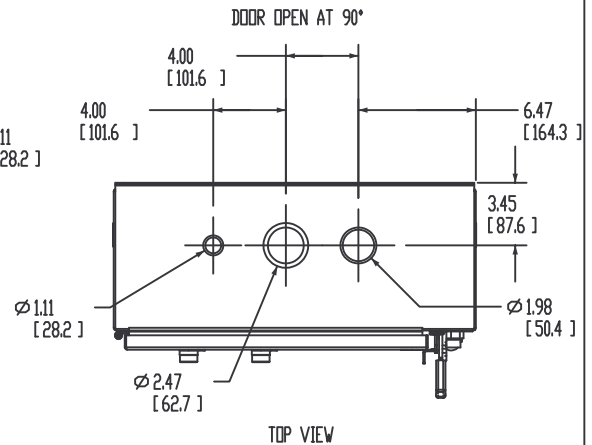
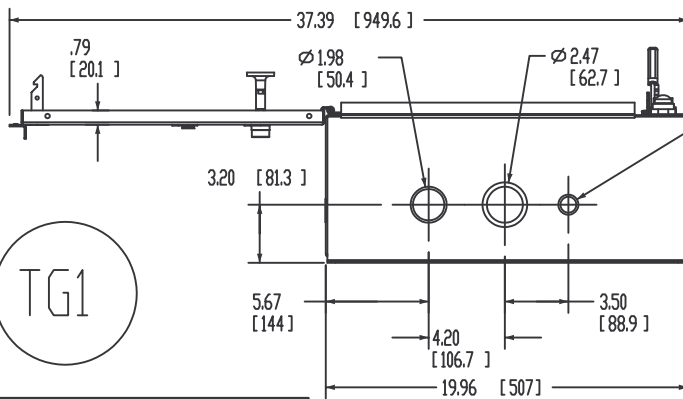
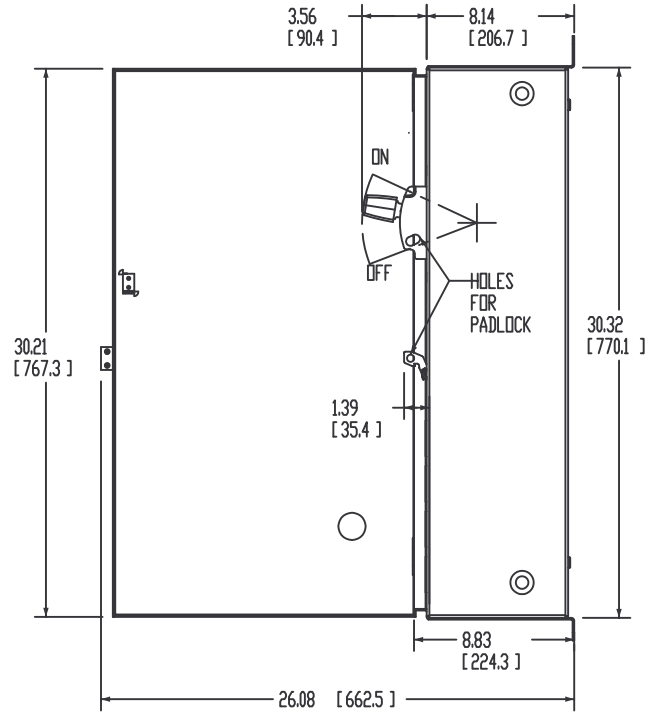
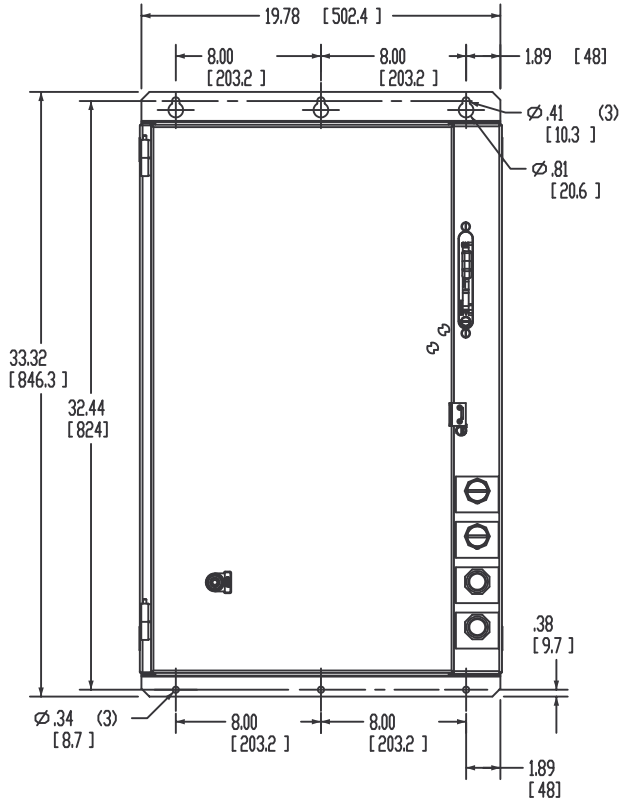


GE PROPRIETARY AND CONFIDENTIAL INFORMATION
 This document is the property of General Electric Company (GE) and contains proprietary information of GE. This document is loaned on the express condition that neither it nor the information contained therein shall be disclosed to others without the express written consent of GE Industrial Systems, and that the information shall be used by the recipient only as approved expressly by GE Industrial Systems. This document shall be returned to GE upon its request. This document may be subject to certain restrictions under U.S. export control laws and regulations.

REVISIONS

REV.	DESCRIPTION	DATE	APPROVED
1	ANIL AN 06-1055	11/23/06	

DUAL DIMENSIONING INCHES
 [MILLIMETERS]



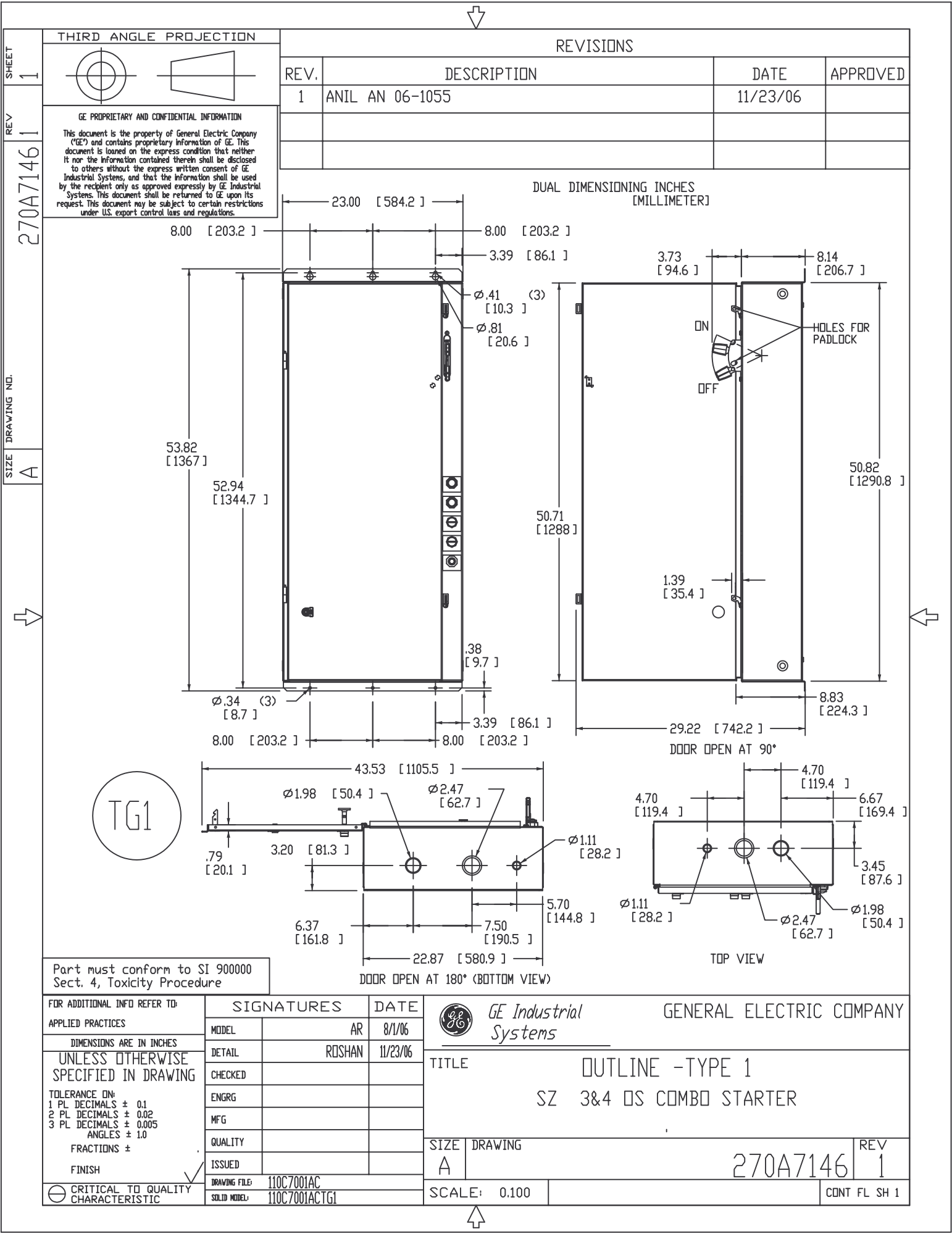
Part must conform to SI 900000 Sect. 4, Toxicity Procedure

DOOR OPEN AT 180°

TOP VIEW

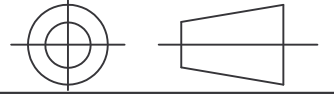
FOR ADDITIONAL INFO REFER TO: APPLIED PRACTICES 6546546865465	SIGNATURES MODEL: AR DETAIL: ROSHAN CHECKED: ENGRG: MFG: QUALITY: ISSUED: DRAWING FILE: 110C7001AB SOLID MODEL: 110C7001ABTG1 2	DATE 8/1/2006 11/22/06	GE Industrial Systems GENERAL ELECTRIC COMPANY	TITLE OUTLINE -TYPE 1 SZ 2 OS & SZ 3-4 COMBO STARTER	SIZE DRAWING A	SCALE: 0.100	REV 270A7145 1	CONT FL SH 1
--	--	------------------------------	--	--	--------------------------	--------------	--------------------------	--------------

DIMENSIONS ARE IN INCHES
 UNLESS OTHERWISE SPECIFIED IN DRAWING
 TOLERANCE IN:
 1 PL DECIMALS ± 0.1
 2 PL DECIMALS ± 0.02
 3 PL DECIMALS ± 0.005
 ANGLES ± 1.0
 FRACTIONS ±
 FINISH
 CRITICAL TO QUALITY CHARACTERISTIC



SHEET 1
REV 270A7148 I
SIZE DRAWING NO. A

THIRD ANGLE PROJECTION

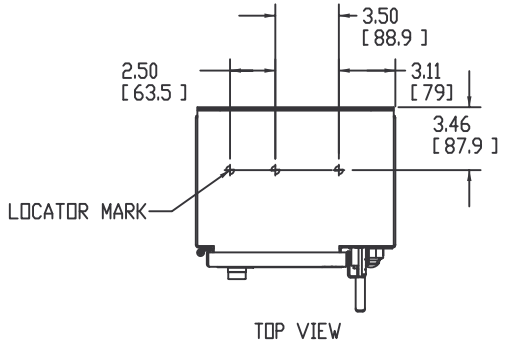
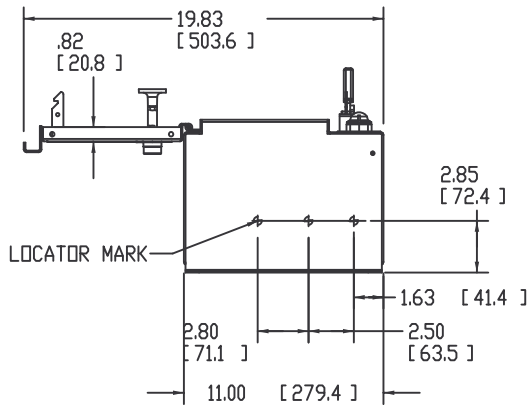
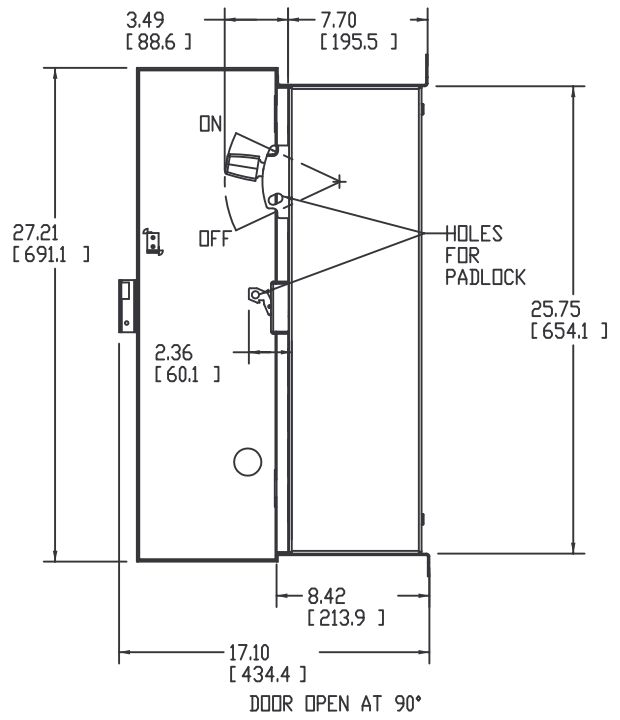
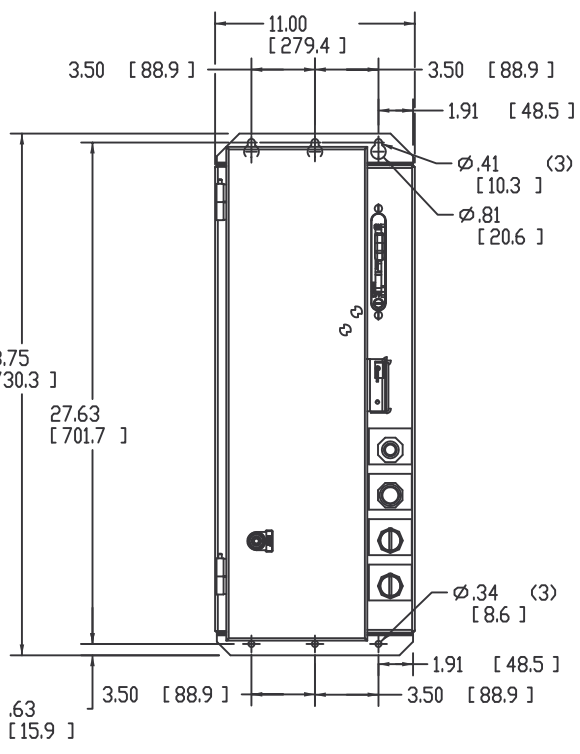


GE PROPRIETARY AND CONFIDENTIAL INFORMATION
 This document is the property of General Electric Company (GE) and contains proprietary information of GE. This document is loaned on the express condition that neither it nor the information contained therein shall be disclosed to others without the express written consent of GE Industrial Systems, and that the information shall be used by the recipient only as approved expressly by GE Industrial Systems. This document shall be returned to GE upon its request. This document may be subject to certain restrictions under U.S. export control laws and regulations.

REVISIONS

REV.	DESCRIPTION	DATE	APPROVED
1	ANIL AN 06-1055	11/21/06	

DUAL DIMENSIONING INCHES
[MILLIMETER]



DOOR OPEN AT 180° (BOTTOM VIEW)



FOR ADDITIONAL INFO REFER TO:
 APPLIED PRACTICES 6546546865465
 DIMENSIONS ARE IN INCHES
 UNLESS OTHERWISE SPECIFIED IN DRAWING
 TOLERANCE ON:
 1 PL DECIMALS ± 0.1
 2 PL DECIMALS ± 0.02
 3 PL DECIMALS ± 0.005
 ANGLES ± 1.0
 FRACTIONS ±
 FINISH
 CRITICAL TO QUALITY CHARACTERISTIC

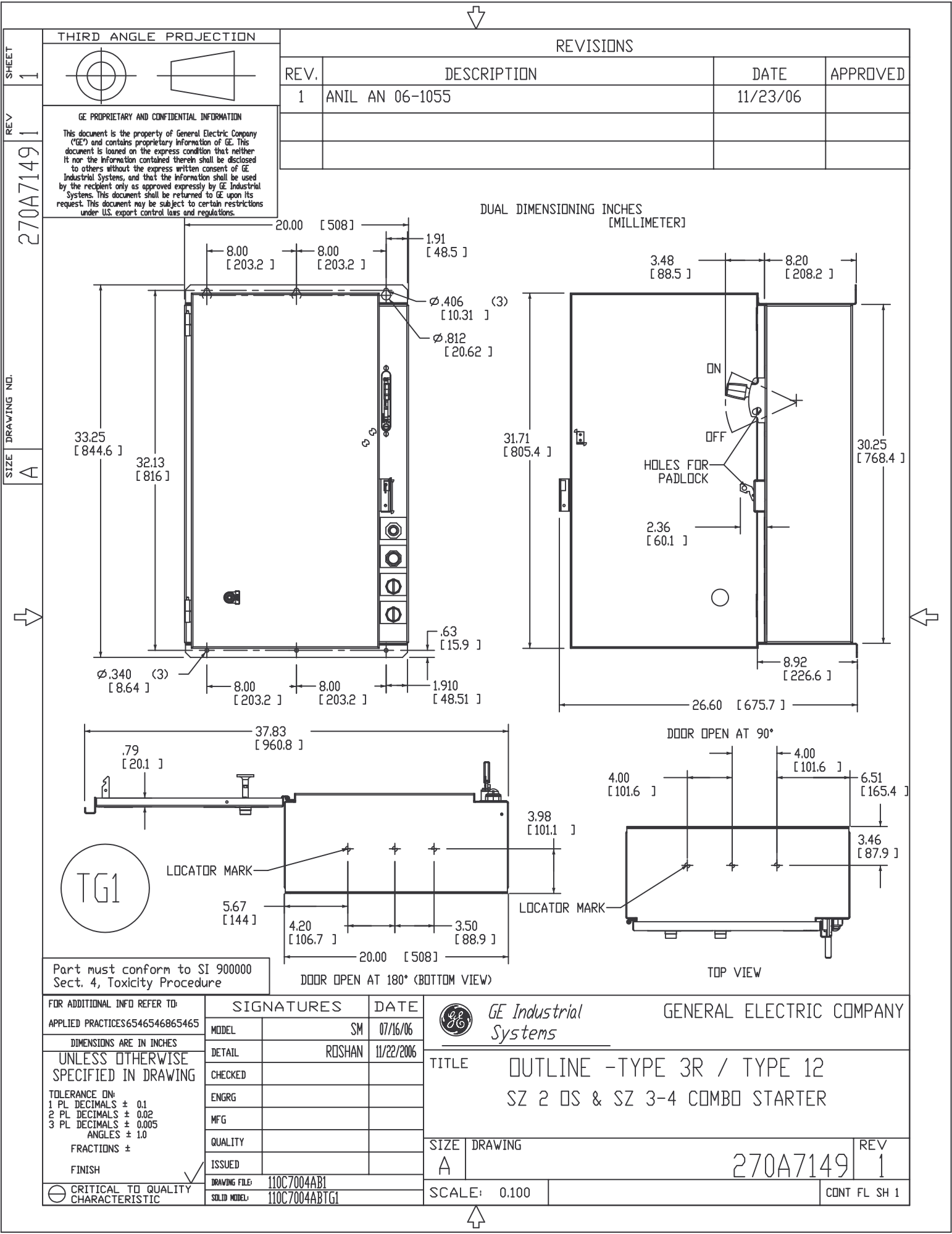
SIGNATURES		DATE
MODEL	SM	07/16/06
DETAIL	PHANI	11/29/06
CHECKED		
ENGRG		
MFG		
QUALITY		
ISSUED		
DRAWING FILE:	110C7004AA	
SOLID MODEL:	110C7004AATG1	

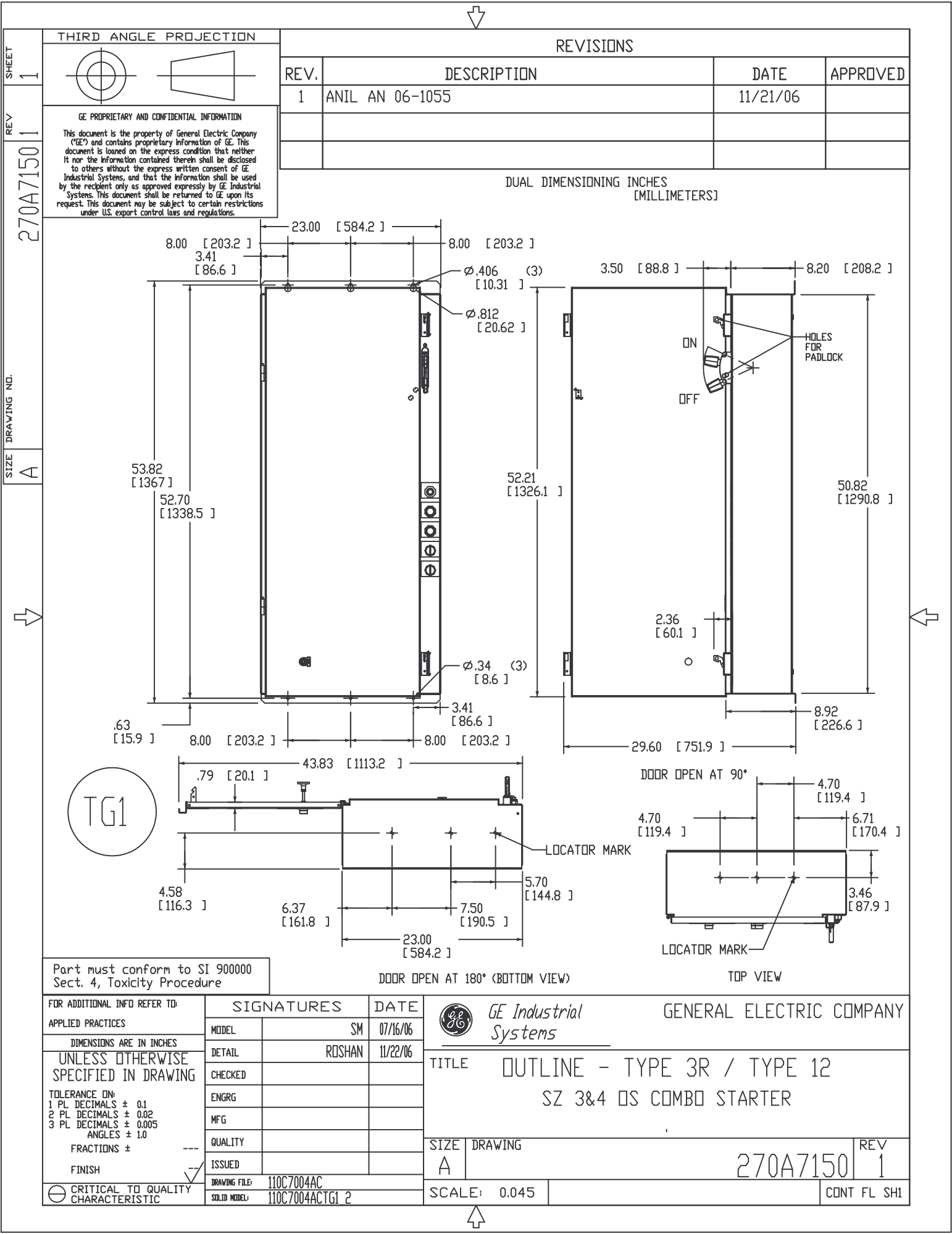
GE Industrial Systems
GENERAL ELECTRIC COMPANY

TITLE **OUTLINE -TYPE 3R / TYPE 12
 SZ 0-2 COMBO STARTER**

SIZE	DRAWING	REV
A		1

SCALE: 0.100 270A7148 CONT FL SH 1





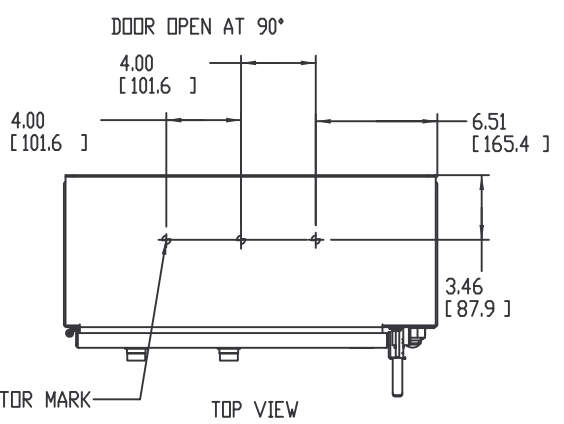
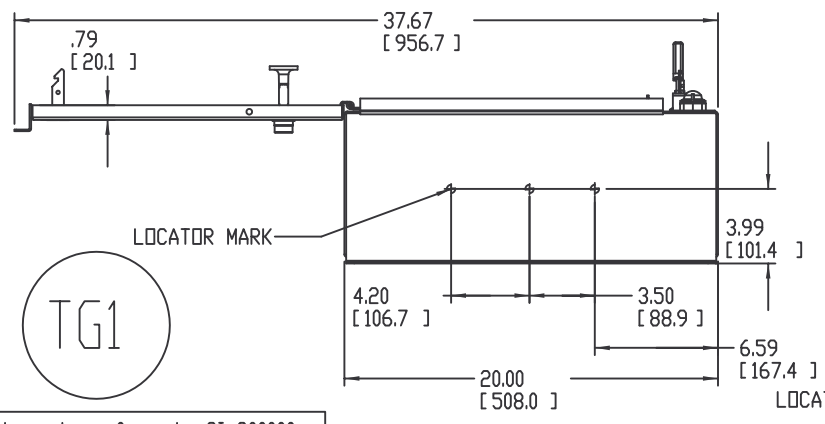
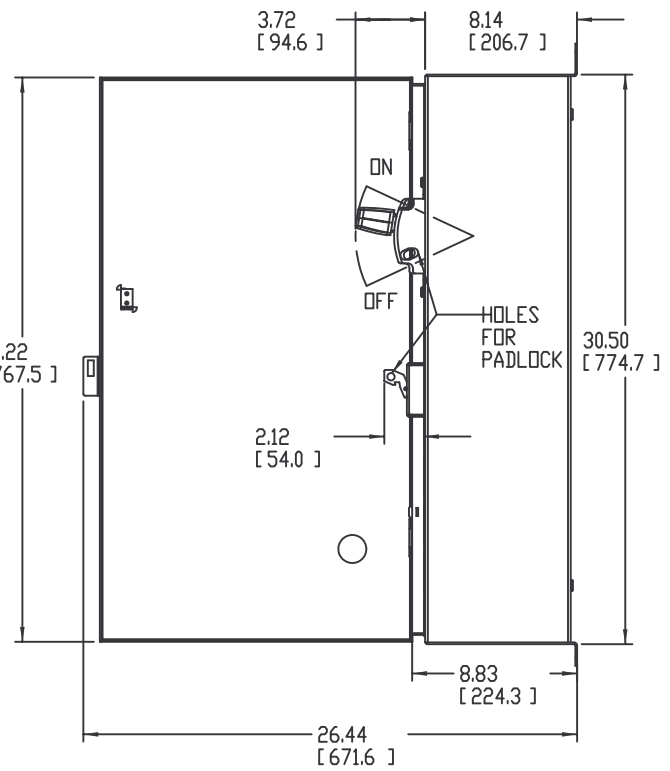
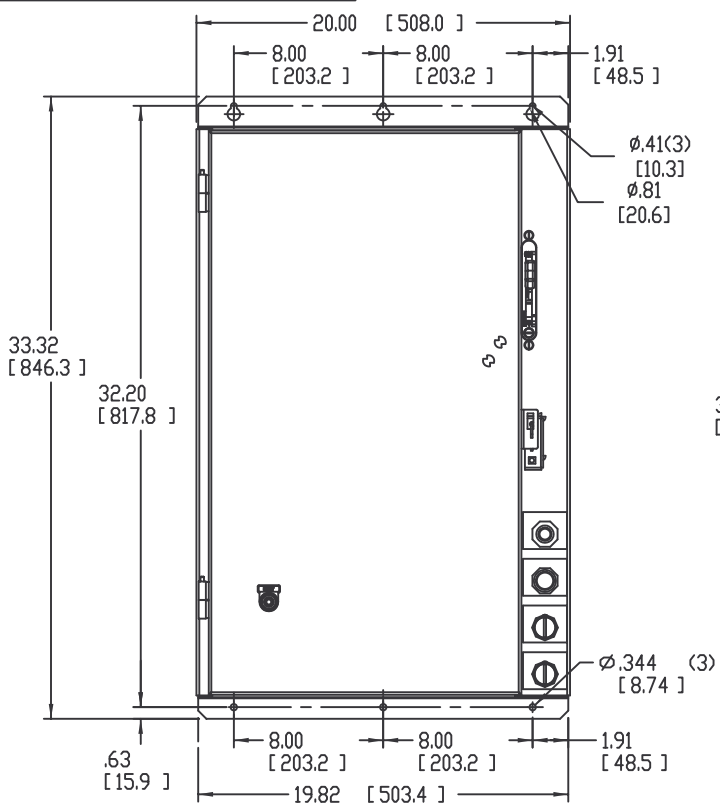
THIRD ANGLE PROJECTION

GE PROPRIETARY AND CONFIDENTIAL INFORMATION
 This document is the property of General Electric Company ("GE") and contains proprietary information of GE. This document is loaned on the express condition that neither it nor the information contained therein shall be disclosed to others without the express written consent of GE Industrial Systems, and that the information shall be used by the recipient only as approved expressly by GE Industrial Systems. This document shall be returned to GE upon its request. This document may be subject to certain restrictions under U.S. export control laws and regulations.

REVISIONS			
REV.	DESCRIPTION	DATE	APPROVED
1	ANIL AN 06-1055	11/17/06	
2	ANIL AN 06-1061	12/14/06	

SHEET 1
REV 270A7153 2
DRAWING NO. A

DUAL DIMENSIONS INCHES [MILLIMETERS]



Part must conform to SI 900000 Sect. 4, Toxicity Procedure

DOOR OPEN AT 180° (BOTTOM VIEW)

FOR ADDITIONAL INFO REFER TO: APPLIED PRACTICES	SIGNATURES		DATE	GE Industrial Systems GENERAL ELECTRIC COMPANY
	MODEL	ROSHAN	08/10/06	
	DETAIL	JP	11/17/06	
	CHECKED			
DIMENSIONS ARE IN INCHES UNLESS OTHERWISE SPECIFIED IN DRAWING	ENGRG			TITLE OUTLINE-TYPE 4 SZ 2 OS SZ 3 & 4 COMBO STARTERS
	MFG			
	QUALITY			
	ISSUED			
TOLERANCE ON: 1 PL DECIMALS ± 0.1 2 PL DECIMALS ± 0.02 3 PL DECIMALS ± 0.005 ANGLES ± 1.0 FRACTIONS ± FINISH	DRAWING FILE:	110C7003ABTG1		SIZE DRAWING
	SOLID MODEL:	110C7003ABTG1		A
⊖ CRITICAL TO QUALITY CHARACTERISTIC	SCALE: 3:50			REV 270A7153 2 CONT FL SH 1

THIRD ANGLE PROJECTION

REV SHEET 1

270A7154 2

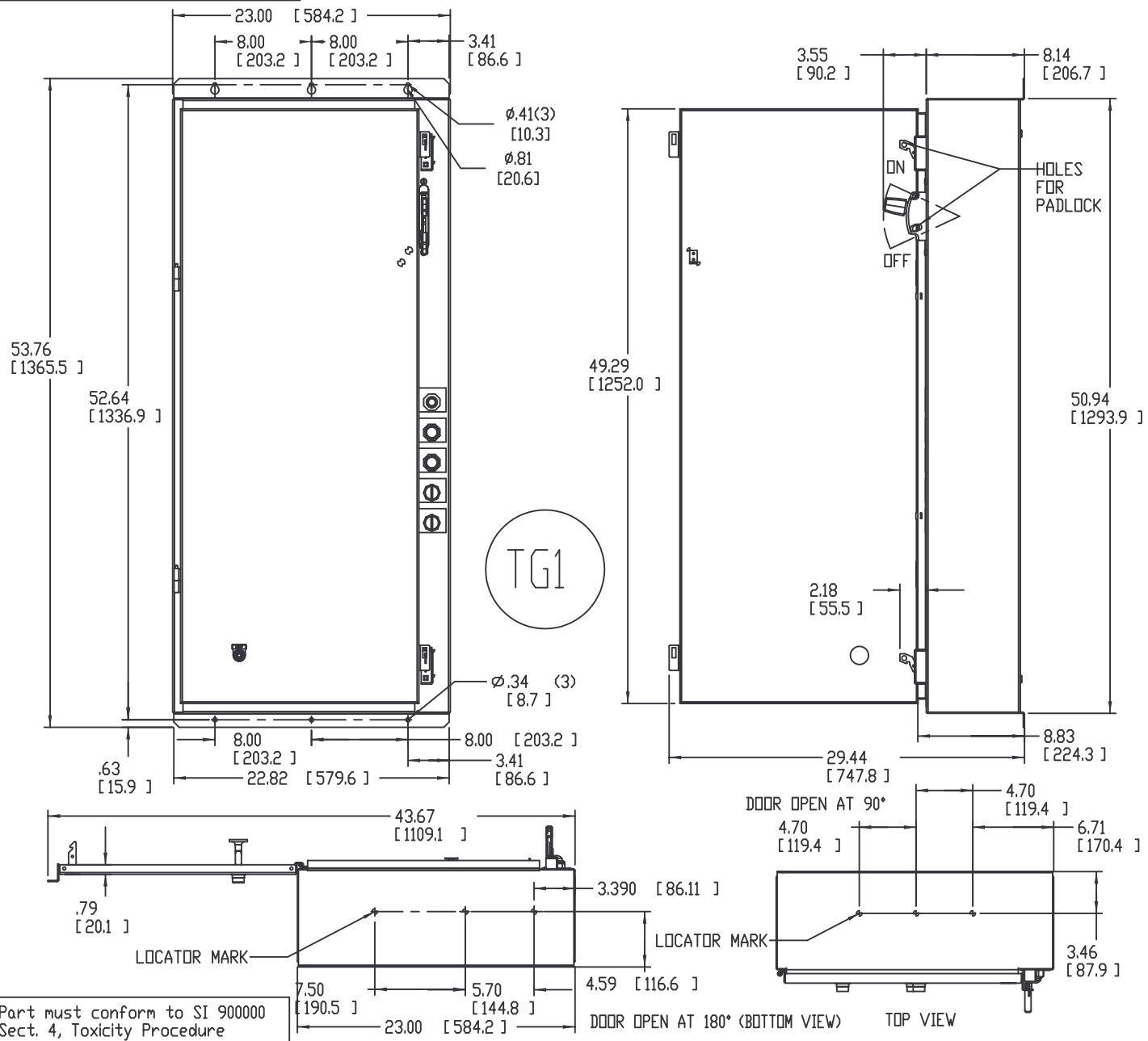
SIZE DRAWING NO. A

REVISIONS			
REV.	DESCRIPTION	DATE	APPROVED
1	ANIL AN 06-1055	11/17/06	
2	ANIL AN 06-1061	12/14/06	

GE PROPRIETARY AND CONFIDENTIAL INFORMATION

This document is the property of General Electric Company ("GE") and contains proprietary information of GE. This document is loaned on the express condition that neither it nor the information contained therein shall be disclosed to others without the express written consent of GE Industrial Systems, and that the information shall be used by the recipient only as approved expressly by GE Industrial Systems. This document shall be returned to GE upon its request. This document may be subject to certain restrictions under U.S. export control laws and regulations.

DUAL DIMENSIONS IN INCHES
[MILLIMETERS]



Part must conform to SI 900000 Sect. 4, Toxicity Procedure

FOR ADDITIONAL INFO REFER TO: APPLIED PRACTICES 6546546865465		SIGNATURES		DATE	GE Industrial Systems GENERAL ELECTRIC COMPANY
DIMENSIONS ARE IN INCHES UNLESS OTHERWISE SPECIFIED IN DRAWING		MODEL	SM	08/10/06	
TOLERANCE ON: 1 PL DECIMALS ± 0.1 2 PL DECIMALS ± 0.02 3 PL DECIMALS ± 0.005 ANGLES ± 1.0 FRACTIONS ± FINISH		DETAIL	JP	11/17/06	TITLE OUTLINE-TYPE 4 SZ 3&4 DS COMBO STARTERS
		CHECKED			
		ENGRG			
		MFG			
CRITICAL TO QUALITY CHARACTERISTIC		QUALITY			SIZE DRAWING
		ISSUED			A
DRAWING FILE: 110C7003ACTG1		SOLID MODEL: 110C7003ACTG1		SCALE: 1:20	REV 270A7154 2
				CONTR. FL. SH 1	