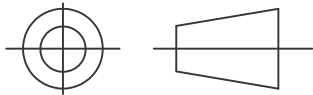


## Full-Voltage Reversing NEMA Combination Starters - Outline Drawings

Catalog Prefix	NEMA Size Code	Enclosure Type Code	Drawing Number	Description
410	B, C, D	1	270A7145	Thermal-Mag, NEMA Size 0-2, Type 1 Enclosure
410	E, F	1	270A7146	Thermal-Mag, NEMA Size 3-4, Type 1 Enclosure
410	B, C, D	6, 2	270A7149	Thermal-Mag, NEMA Size 0-2, Type 3R/12 Enclosure
410	E, F	6, 2	270A7150	Thermal-Mag, NEMA Size 3-4, Type 3R/12 Enclosure
410	B, C, D	4	270A7153	Thermal-Mag, NEMA Size 0-2, Type 4 Enclosure
410	E, F	4	270A7154	Thermal-Mag, NEMA Size 3-4, Type 4 Enclosure
411	B, C, D	1	270A7145	Disconnect, NEMA Size 0-2, Type 1 Enclosure
411	E, F	1	270A7146	Disconnect, NEMA Size 3-4, Type 1 Enclosure
411	B, C, D	6, 2	270A7149	Disconnect, NEMA Size 0-2, Type 3R/12 Enclosure
411	E, F	6, 2	270A7150	Disconnect, NEMA Size 3-4, Type 3R/12 Enclosure
411	B, C, D	4	270A7153	Disconnect, NEMA Size 0-2, Type 4 Enclosure
411	E, F	4	270A7154	Disconnect, NEMA Size 3-4, Type 4 Enclosure
490	B, C, D	1	270A7145	Mag-Break, NEMA Size 0-2, Type 1 Enclosure
490	E, F	1	270A7146	Mag-Break, NEMA Size 3-4, Type 1 Enclosure
490	B, C, D	6, 2	270A7149	Mag-Break, NEMA Size 0-2, Type 3R/12 Enclosure
490	E, F	6, 2	270A7150	Mag-Break, NEMA Size 3-4, Type 3R/12 Enclosure
490	B, C, D	4	270A7153	Mag-Break, NEMA Size 0-2, Type 4 Enclosure
490	E, F	4	270A7154	Mag-Break, NEMA Size 3-4, Type 4 Enclosure

SHEET 1  
 REV 270A7145 1  
 SIZE DRAWING NO. A

THIRD ANGLE PROJECTION

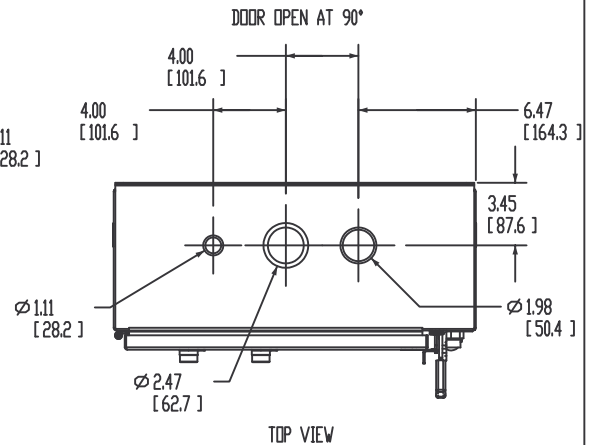
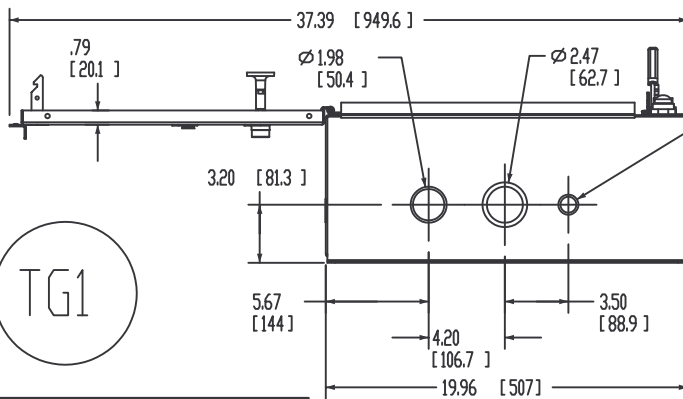
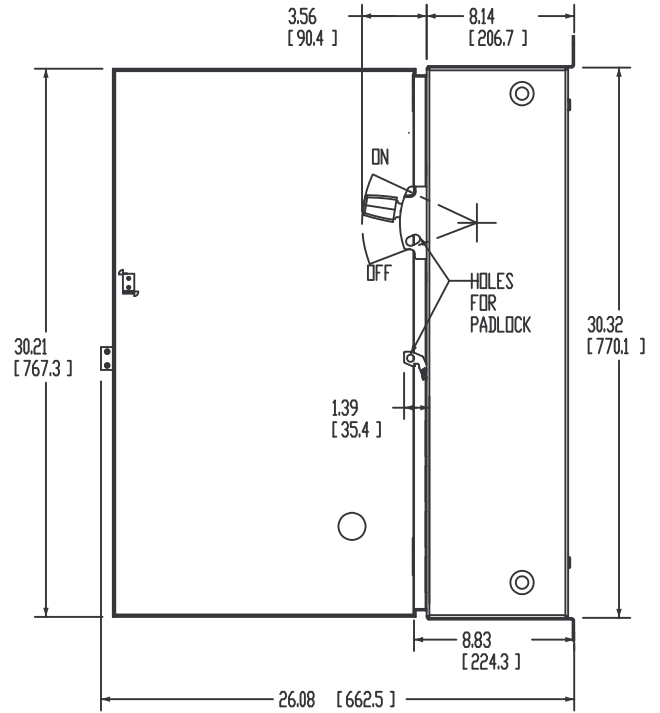
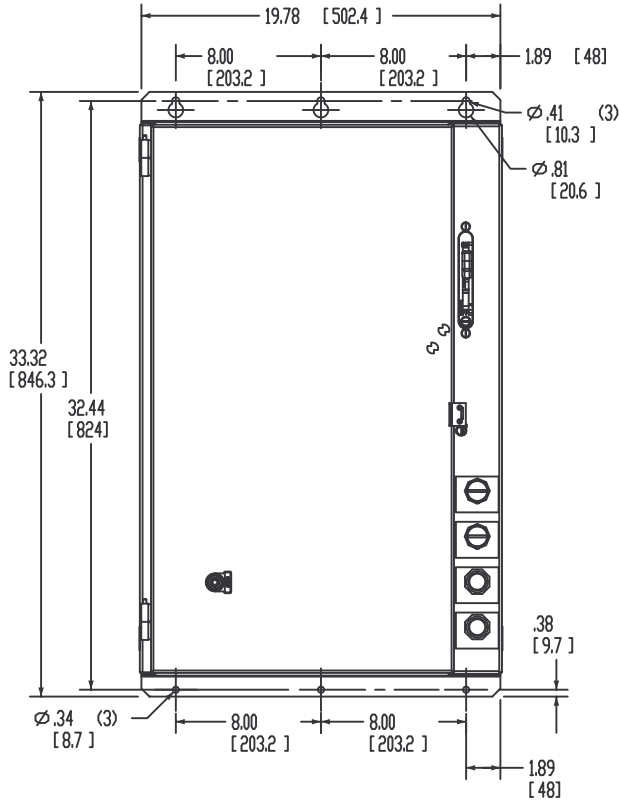


GE PROPRIETARY AND CONFIDENTIAL INFORMATION  
 This document is the property of General Electric Company (GE) and contains proprietary information of GE. This document is loaned on the express condition that neither it nor the information contained therein shall be disclosed to others without the express written consent of GE Industrial Systems, and that the information shall be used by the recipient only as approved expressly by GE Industrial Systems. This document shall be returned to GE upon its request. This document may be subject to certain restrictions under U.S. export control laws and regulations.

REVISIONS

REV.	DESCRIPTION	DATE	APPROVED
1	ANIL AN 06-1055	11/23/06	

DUAL DIMENSIONING INCHES  
 [MILLIMETERS]

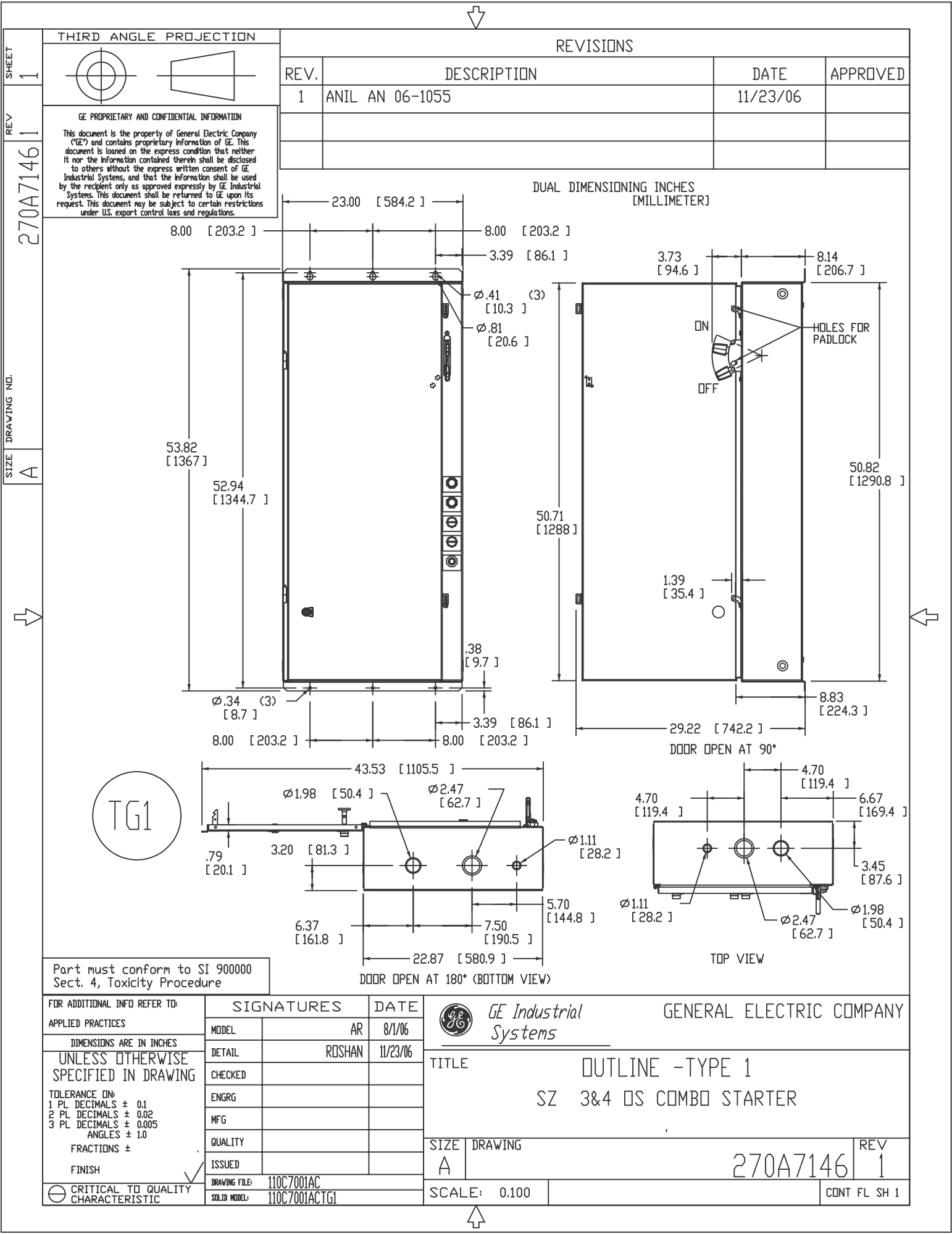


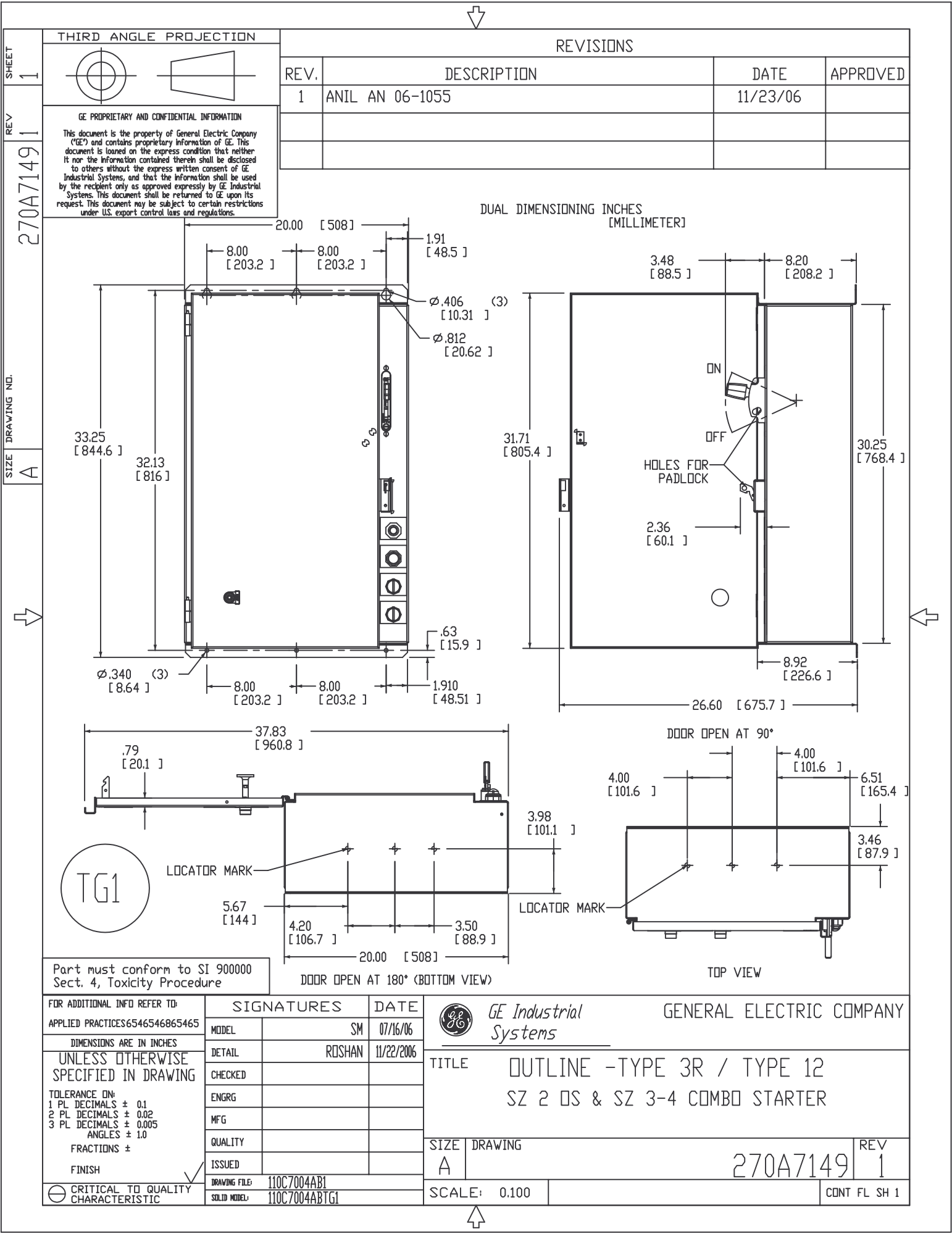
Part must conform to SI 900000 Sect. 4, Toxicity Procedure

DOOR OPEN AT 180°

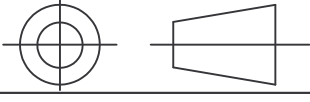
TOP VIEW

FOR ADDITIONAL INFO REFER TO: APPLIED PRACTICES 6546546865465	SIGNATURES		DATE	<b>GE Industrial Systems</b> GENERAL ELECTRIC COMPANY
DIMENSIONS ARE IN INCHES UNLESS OTHERWISE SPECIFIED IN DRAWING	MODEL	AR	8/1/2006	
TOLERANCE IN: 1 PL DECIMALS ± 0.1 2 PL DECIMALS ± 0.02 3 PL DECIMALS ± 0.005 ANGLES ± 1.0 FRACTIONS ±	DETAIL	ROSHAN	11/22/06	TITLE
FINISH	CHECKED			OUTLINE -TYPE 1 SZ 2 OS & SZ 3-4 COMBO STARTER
CRITICAL TO QUALITY CHARACTERISTIC	ENGRG			SIZE DRAWING
	MFG			A
	QUALITY			270A7145
	ISSUED			REV 1
	DRAWING FILE: 110C7001AB			SCALE: 0.100
	SOLID MODEL: 110C7001ABTG1 2			CONT FL SH 1





THIRD ANGLE PROJECTION



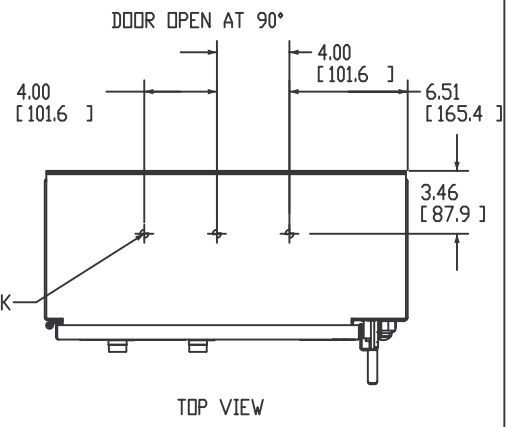
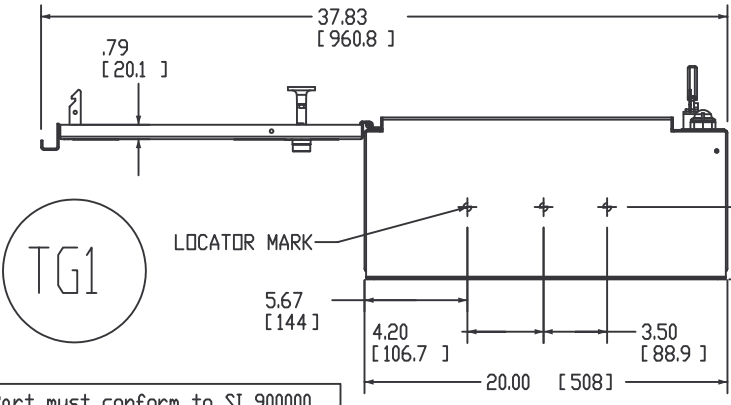
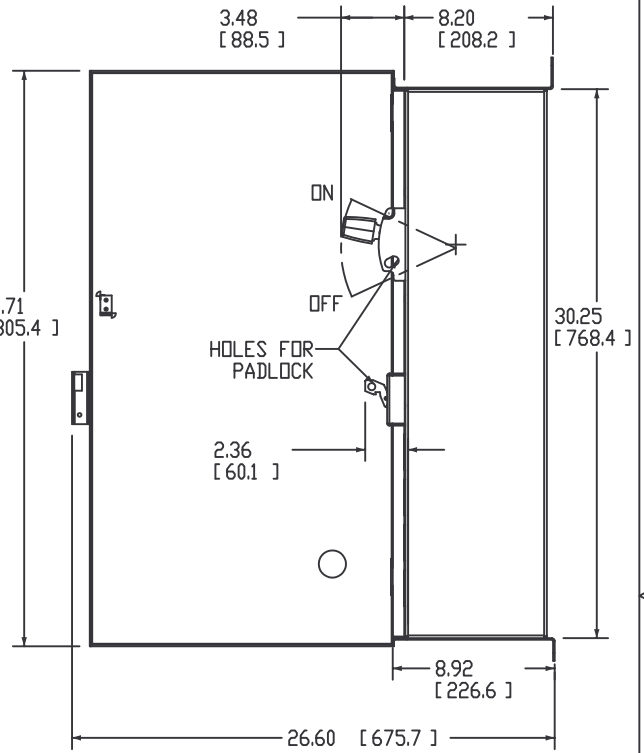
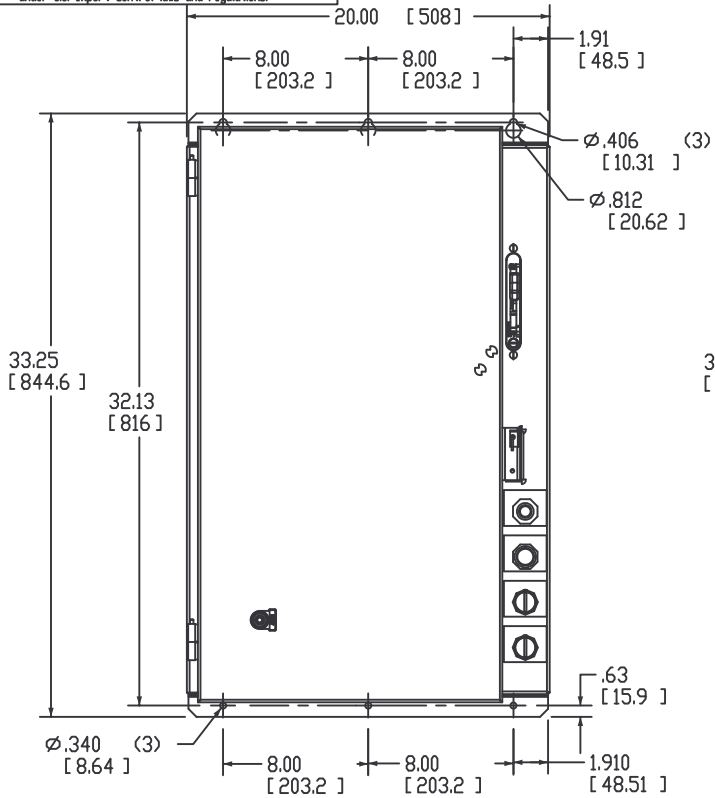
REVISIONS

REV.	DESCRIPTION	DATE	APPROVED
1	ANIL AN 06-1055	11/23/06	

GE PROPRIETARY AND CONFIDENTIAL INFORMATION

This document is the property of General Electric Company (GE) and contains proprietary information of GE. This document is loaned on the express condition that neither it nor the information contained therein shall be disclosed to others without the express written consent of GE Industrial Systems, and that the information shall be used by the recipient only as approved expressly by GE Industrial Systems. This document shall be returned to GE upon its request. This document may be subject to certain restrictions under U.S. export control laws and regulations.

DUAL DIMENSIONING INCHES [MILLIMETER]

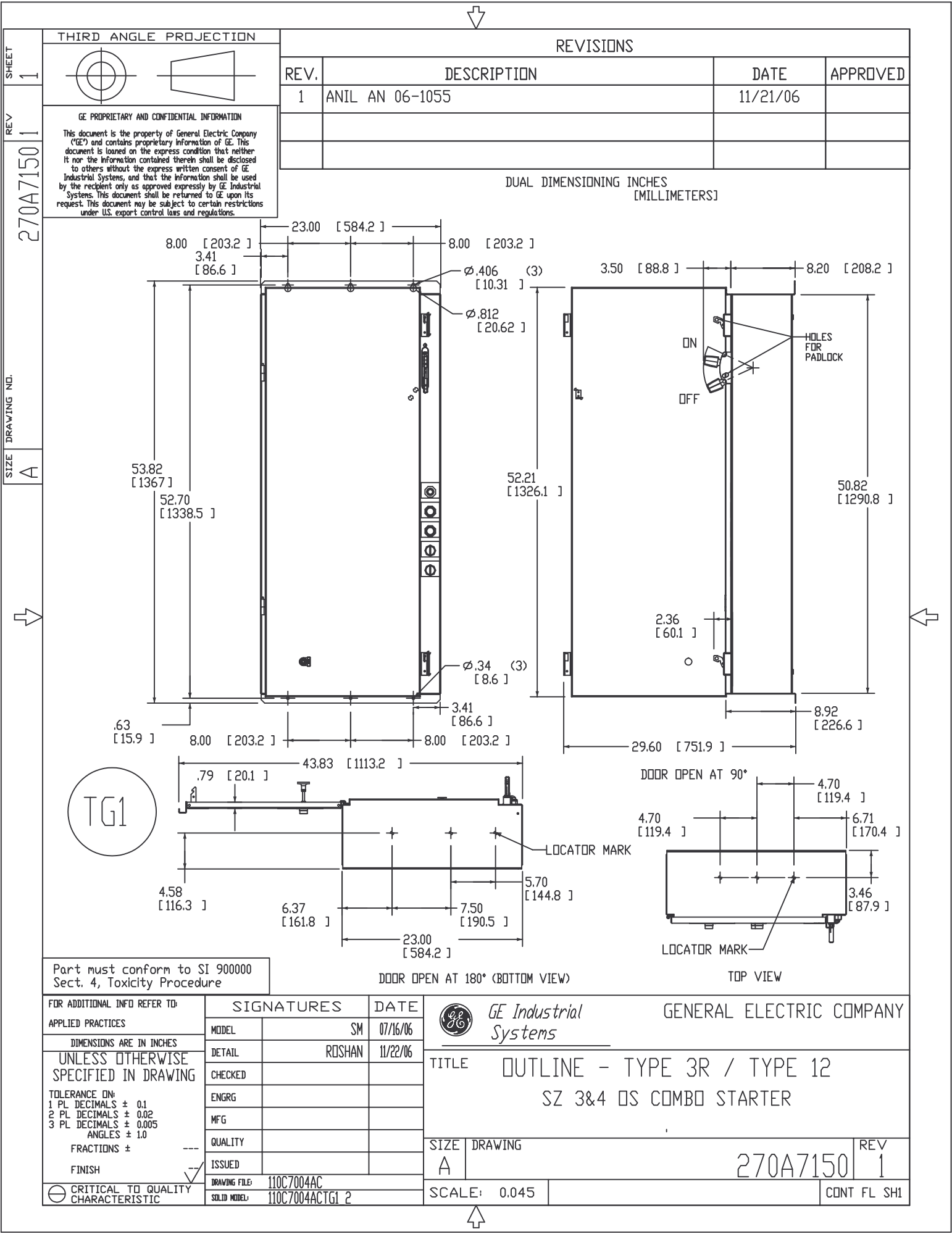


Part must conform to SI 900000 Sect. 4, Toxicity Procedure

DOOR OPEN AT 180° (BOTTOM VIEW)

TOP VIEW

FOR ADDITIONAL INFO REFER TO: APPLIED PRACTICES 6546546865465	SIGNATURES		DATE	GE Industrial Systems GENERAL ELECTRIC COMPANY	TITLE OUTLINE -TYPE 3R / TYPE 12 SZ 2 OS & SZ 3-4 COMBO STARTER
	MODEL	SM	07/16/06		
DIMENSIONS ARE IN INCHES UNLESS OTHERWISE SPECIFIED IN DRAWING	DETAIL	ROSHAN	11/22/2006	SIZE DRAWING A	REV 270A7149 1
	CHECKED				
TOLERANCE ON: 1 PL DECIMALS ± 0.1 2 PL DECIMALS ± 0.02 3 PL DECIMALS ± 0.005 ANGLES ± 1.0 FRACTIONS ±	ENGRG			SCALE: 0.100	CONT FL SH 1
	MFG				
FINISH CRITICAL TO QUALITY CHARACTERISTIC	QUALITY				
	ISSUED				
	DRAWING FILE:	110C7004AB1			
	SOLID MODEL:	110C7004ABTGI			



Part must conform to SI 900000 Sect. 4, Toxicity Procedure

DOOR OPEN AT 180° (BOTTOM VIEW)

TOP VIEW

FOR ADDITIONAL INFO REFER TO: APPLIED PRACTICES DIMENSIONS ARE IN INCHES <b>UNLESS OTHERWISE SPECIFIED IN DRAWING</b> TOLERANCE ON: 1 PL DECIMALS ± 0.1 2 PL DECIMALS ± 0.02 3 PL DECIMALS ± 0.005 ANGLES ± 1.0 FRACTIONS ± --- FINISH CRITICAL TO QUALITY CHARACTERISTIC	SIGNATURES		DATE	<b>GE Industrial Systems</b> GENERAL ELECTRIC COMPANY	TITLE <b>OUTLINE - TYPE 3R / TYPE 12</b> <b>SZ 3&amp;4 OS COMBO STARTER</b> SIZE DRAWING <b>A</b> SCALE: 0.045 270A7150 REV 1 CONT FL SH1
	MODEL	SM	07/16/06		
	DETAIL	ROSHAN	11/22/06		
	CHECKED				
	ENGRG				
MFG					
QUALITY					
ISSUED					
DRAWING FILE:	110C7004AC				
SOLID MODEL:	110C7004ACTG1 2				

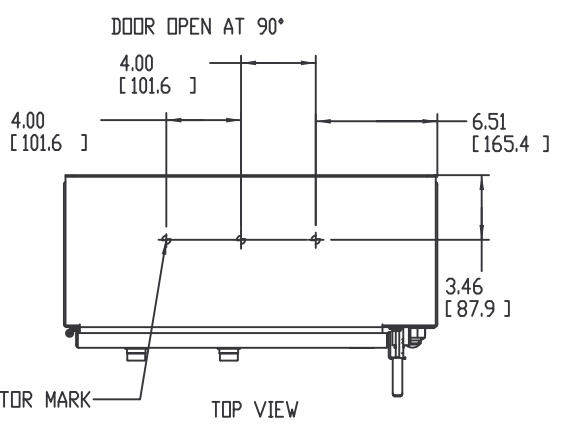
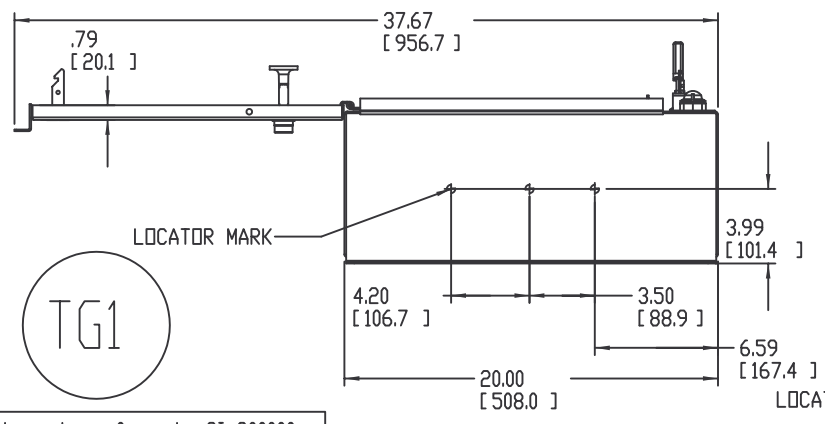
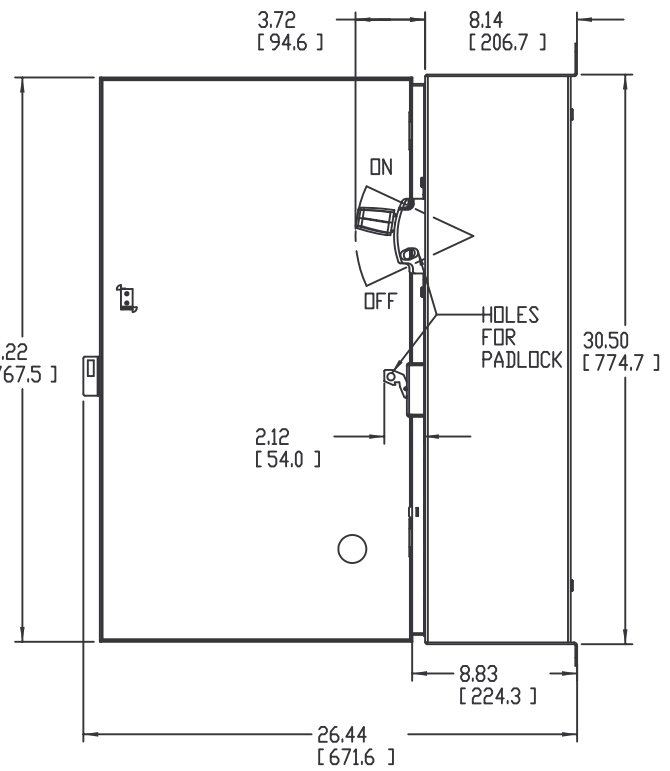
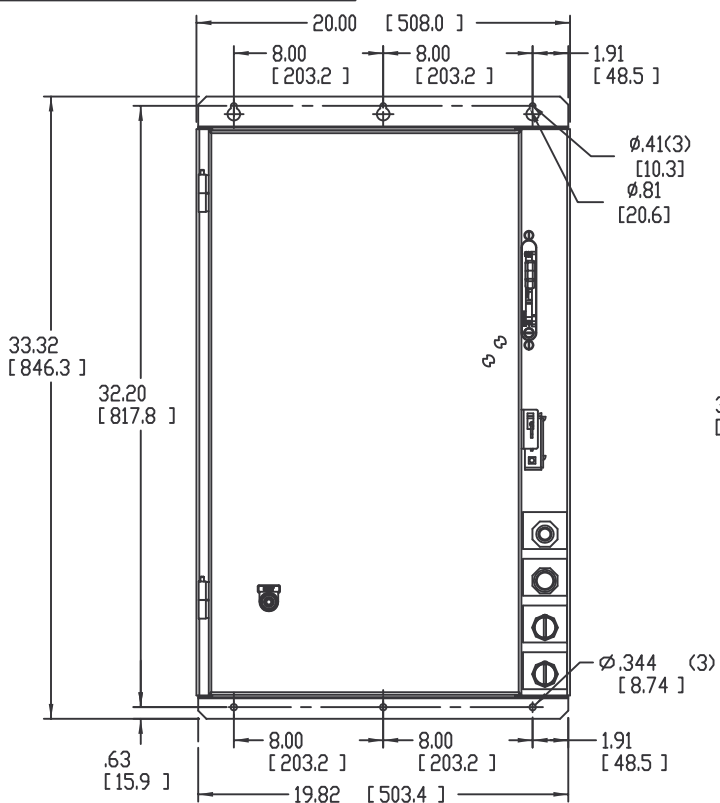
THIRD ANGLE PROJECTION

GE PROPRIETARY AND CONFIDENTIAL INFORMATION  
 This document is the property of General Electric Company ("GE") and contains proprietary information of GE. This document is loaned on the express condition that neither it nor the information contained therein shall be disclosed to others without the express written consent of GE Industrial Systems, and that the information shall be used by the recipient only as approved expressly by GE Industrial Systems. This document shall be returned to GE upon its request. This document may be subject to certain restrictions under U.S. export control laws and regulations.

REVISIONS			
REV.	DESCRIPTION	DATE	APPROVED
1	ANIL AN 06-1055	11/17/06	
2	ANIL AN 06-1061	12/14/06	

SHEET 1  
REV 270A7153 2  
DRAWING NO. A

DUAL DIMENSIONS INCHES [MILLIMETERS]



Part must conform to SI 900000 Sect. 4, Toxicity Procedure

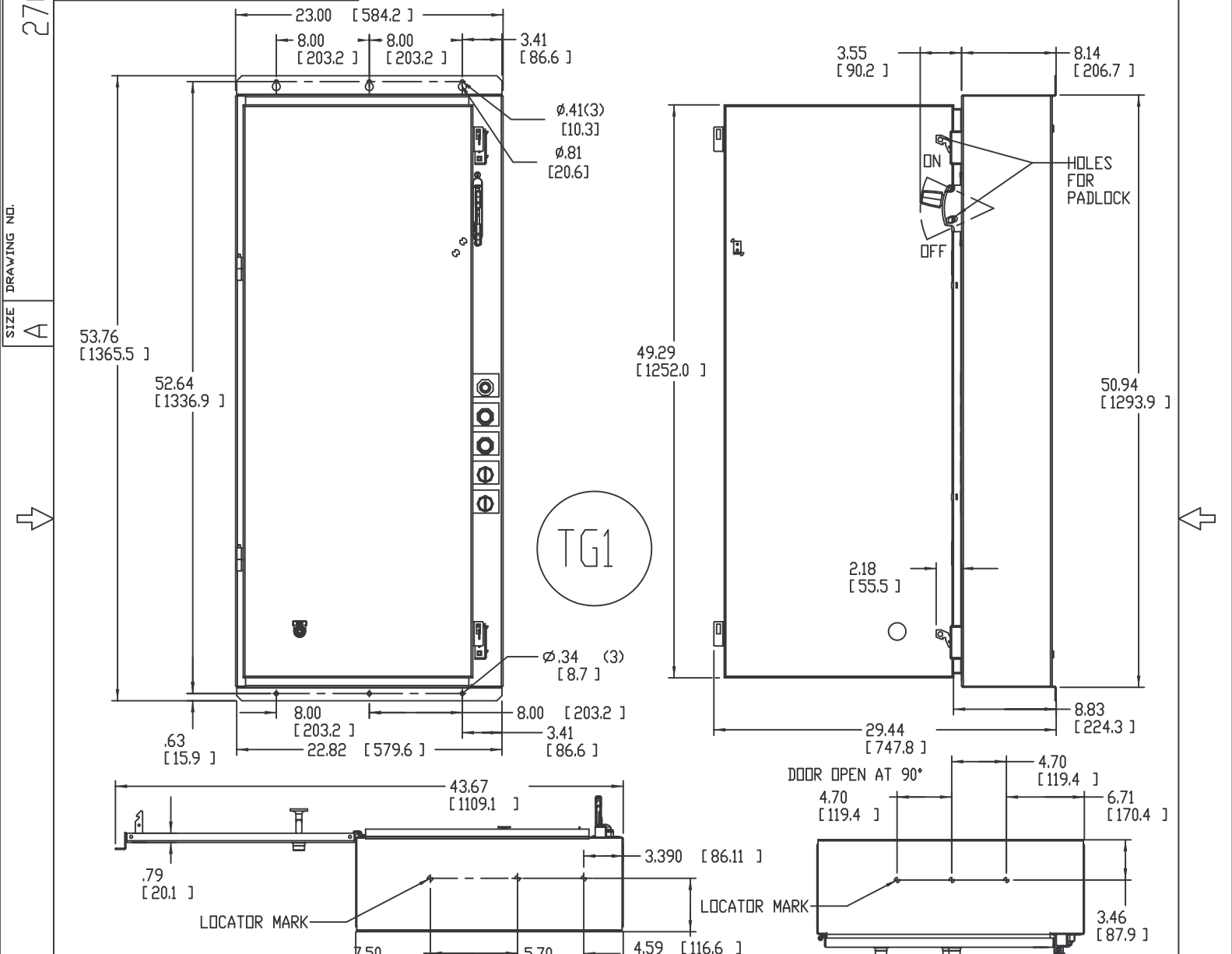
DOOR OPEN AT 180° (BOTTOM VIEW)

FOR ADDITIONAL INFO REFER TO: APPLIED PRACTICES DIMENSIONS ARE IN INCHES UNLESS OTHERWISE SPECIFIED IN DRAWING TOLERANCE ON: 1 PL DECIMALS ± 0.1 2 PL DECIMALS ± 0.02 3 PL DECIMALS ± 0.005 ANGLES ± 1.0 FRACTIONS ± FINISH	SIGNATURES		DATE	GE Industrial Systems GENERAL ELECTRIC COMPANY
	MODEL	ROSHAN	08/10/06	
	DETAIL	JP	11/17/06	
	CHECKED			
	ENGRG			TITLE OUTLINE-TYPE 4 SZ 2 OS SZ 3 & 4 COMBO STARTERS
	MFG			
	QUALITY			SIZE DRAWING
	ISSUED			A
CRITICAL TO QUALITY CHARACTERISTIC	DRAWING FILE:	110C7003ABTG1		SCALE: 3:50
	SOLID MODEL:	110C7003ABTG1		270A7153 2
				REV 2
				CONT FL SH 1

SHEET 1	THIRD ANGLE PROJECTION	REVISIONS			
REV 2	270A7154 2	REV.	DESCRIPTION	DATE	APPROVED
		1	ANIL AN 06-1055	11/17/06	
		2	ANIL AN 06-1061	12/14/06	

GE PROPRIETARY AND CONFIDENTIAL INFORMATION  
 This document is the property of General Electric Company ("GE") and contains proprietary information of GE. This document is loaned on the express condition that neither it nor the information contained therein shall be disclosed to others without the express written consent of GE Industrial Systems, and that the information shall be used by the recipient only as approved expressly by GE Industrial Systems. This document shall be returned to GE upon its request. This document may be subject to certain restrictions under U.S. export control laws and regulations.

DUAL DIMENSIONS IN INCHES  
[MILLIMETERS]



Part must conform to SI 900000 Sect. 4, Toxicity Procedure

FOR ADDITIONAL INFO REFER TO: APPLIED PRACTICES 6546546865465	SIGNATURES	DATE	<i>GE Industrial Systems</i>	GENERAL ELECTRIC COMPANY	
DIMENSIONS ARE IN INCHES UNLESS OTHERWISE SPECIFIED IN DRAWING	MODEL	SM	08/10/06	TITLE <b>OUTLINE-TYPE 4 SZ 3&amp;4 DS COMBO STARTERS</b>	
TOLERANCE ON: 1 PL DECIMALS ± 0.1 2 PL DECIMALS ± 0.02 3 PL DECIMALS ± 0.005 ANGLES ± 1.0 FRACTIONS ±	DETAIL	JP	11/17/06		
FINISH	CHECKED				
	ENGRG				
	MFG				
	QUALITY			SIZE	DRAWING
	ISSUED			A	270A7154
⊕ CRITICAL TO QUALITY CHARACTERISTIC	DRAWING FILE:	110C7003ACTG1		REV	2
	SOLID MODEL:	110C7003ACTG1		SCALE:	1:20
					CONT FL SH 1