

PicoDlynxII™ Series Evaluation Board Documentation

The PicoDlynxII™ series evaluation board (PJT020/014/007/004) comes with an assembled module and test components. The specific combination of module and the board can be ordered through your sales representative

1. Schematics

Component values are for reference only; refer to the data sheet for appropriate values and pictures in this document for preinstalled component

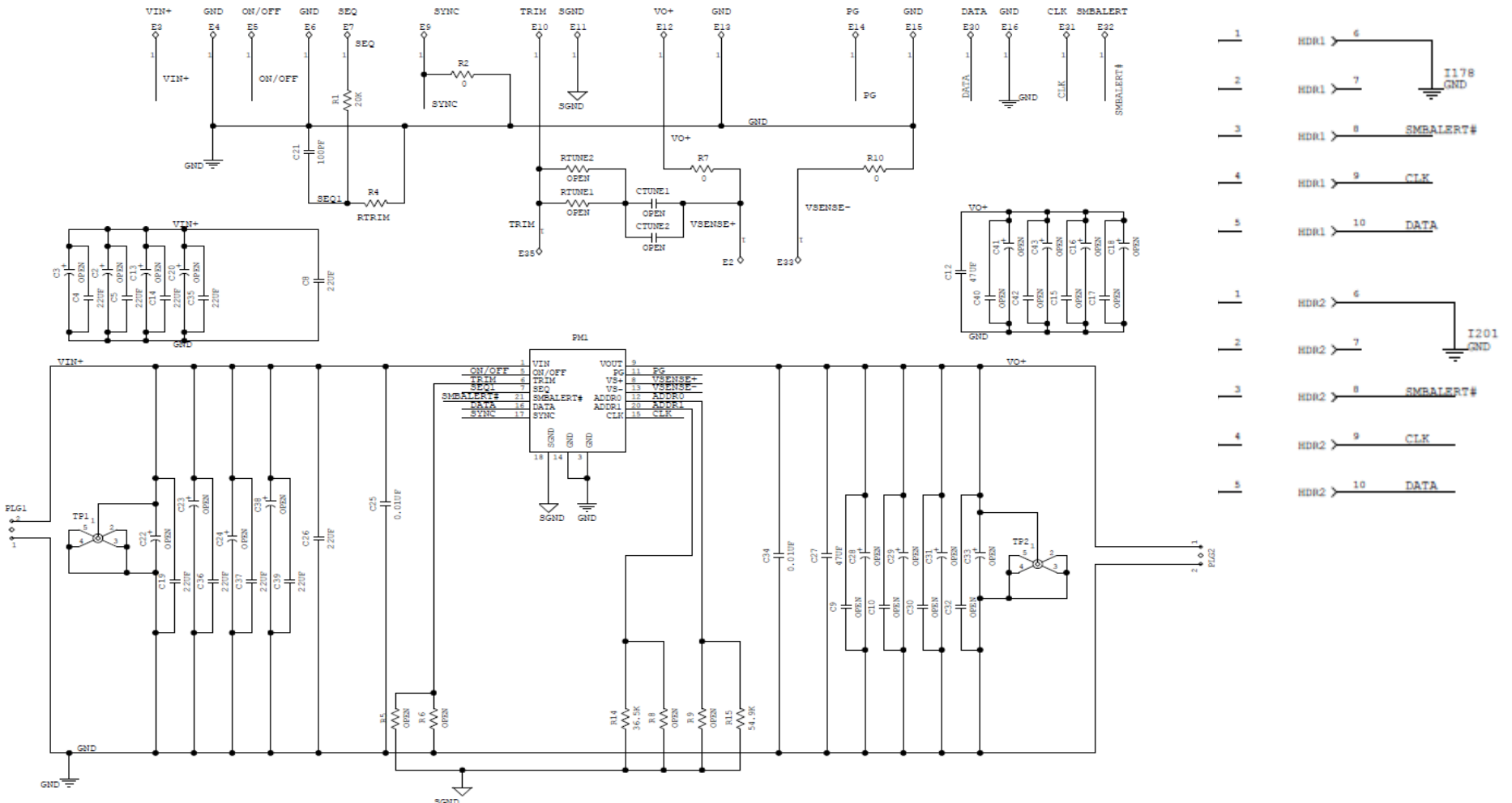


Figure 1 - Schematic of the PicoDlynx™ single footprint evaluation board.

Component values are for reference only; refer to the data sheet for appropriate values and pictures in this document for preinstalled components

2. Physical Description

An annotated photograph of the PicoDlynxII™, single footprint evaluation board is shown below. The arrows indicate locations of various components. Pre-Installed components for the PicoDlynx™ - Trim resistor R6, input filtering [(0.047uF,16V), (0.1uF, 16V), (2x22uF,16V),(470uF,16V)], Output filtering [(0.047uF,16V), (0.1uF, 16V), (2x22uF,16V)], R_{SENSE} resistors, R7 & R10 = 0 Ohms, R₆=20K and some test points.

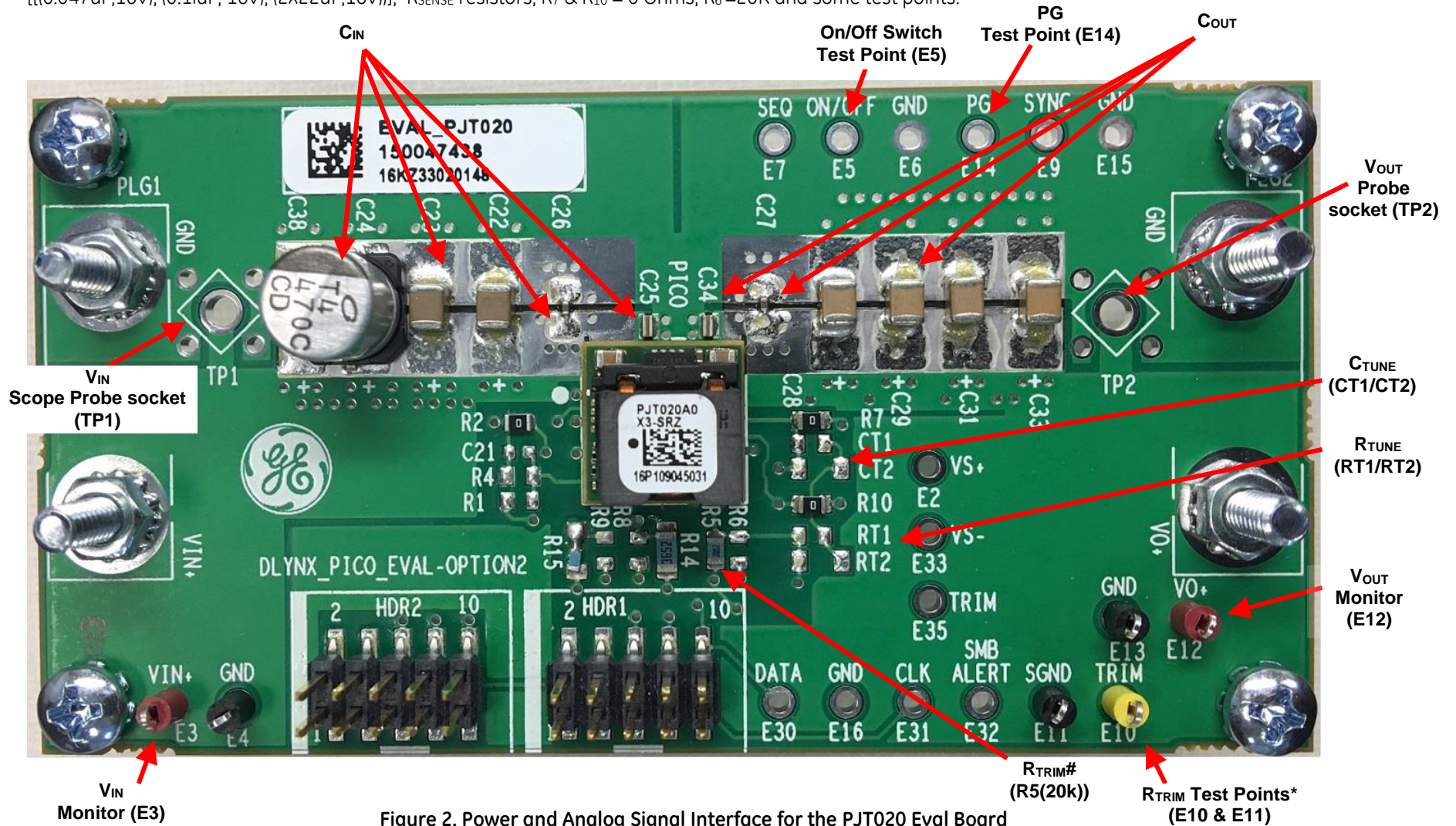


Figure 2. Power and Analog Signal Interface for the PJT020 Eval Board

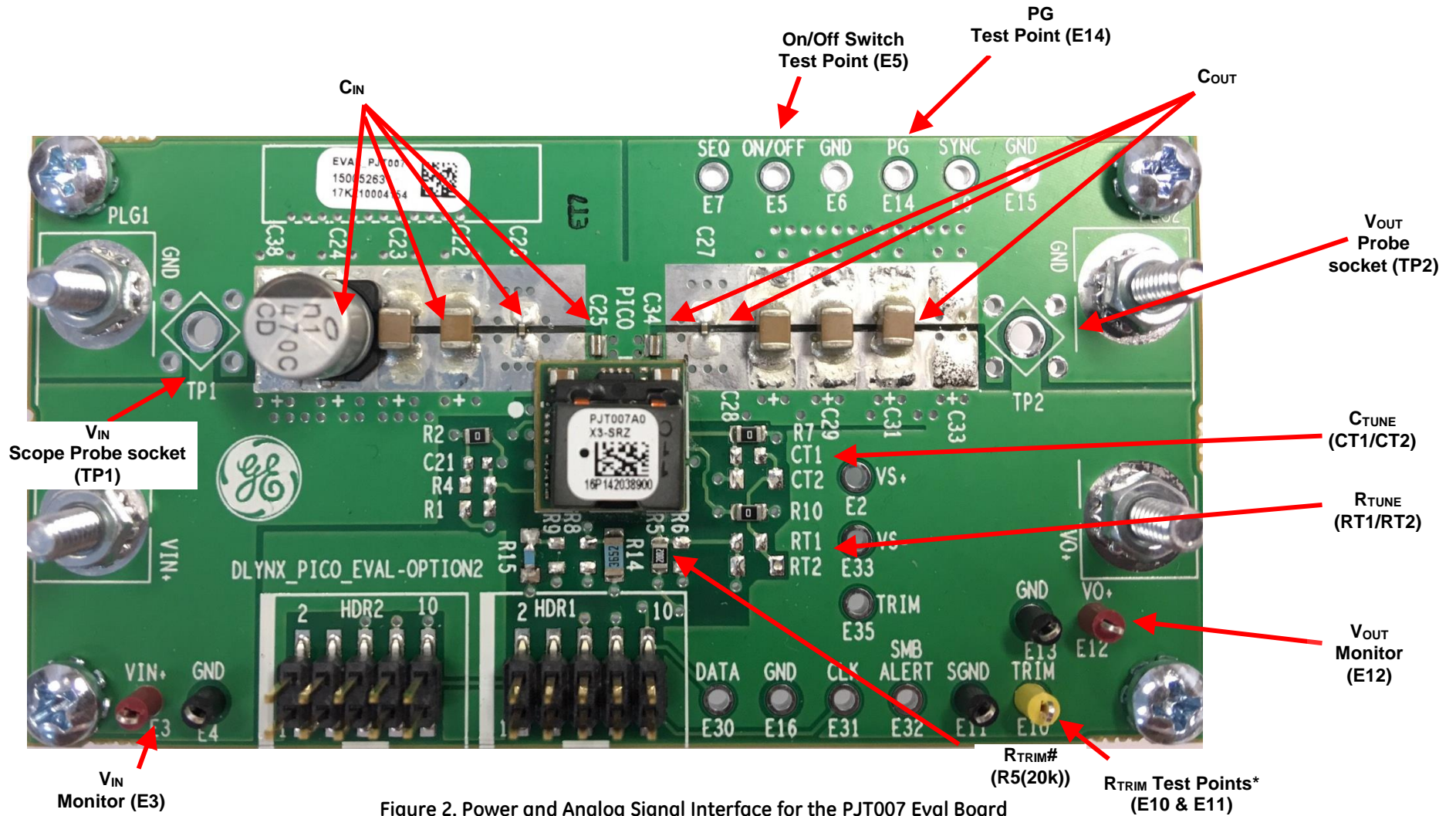


Figure 2. Power and Analog Signal Interface for the PJT007 Eval Board

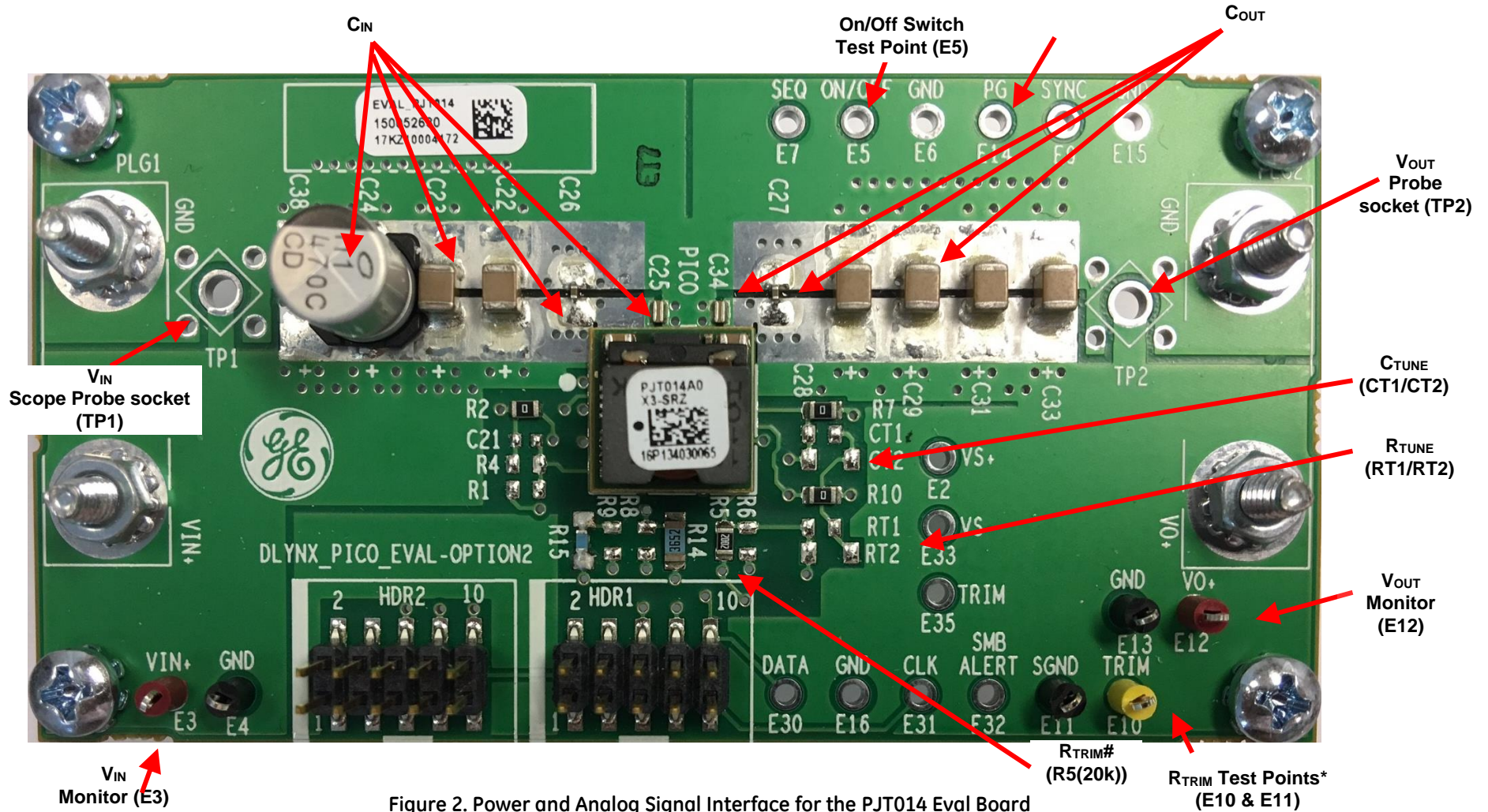


Figure 2. Power and Analog Signal Interface for the PJT014 Eval Board

* The evaluation board comes with preinstalled ADDR1 resistor, R14=36.5K and ADDR0 resistor, R15=53.6K. These values correspond to Octal digits "3 4" equivalent to HEX number "1C" (equivalent to 28 decimal). Please refer to the data sheet for additional details.

** HDR1/HDR2 allow the unit on the Eval board to interface (via 10 pin Ribbon Cable) with another unit on a different Eval Board and/or to GE's "USB Interface Adapter" module. For further details, please refer to the GE document, "Digital Power Insight™ User Manual".

Note1: The red wire on the ribbon cable should be aligned to Pin 1 (left side) of the HDR1 or HDR2 connectors.

Note2: Headers and Ribbon Cable Assembly details:

Part Description (HDR1 & HDR2): 10-Pin Dual Row Male Pin Header, SMT
e.g. FCI P/N: 95157-210 (Digi-Key P/N: 95157-210-ND) or Molex P/N: 0015910100

Part Description: IDC Ribbon Cable Assembly
e.g.: 3M P/N: M3DDA-1018J (Digi-Key P/N: M3DDA-1018J-ND) or Molex P/N: 111062-0



Contact Us

For more information, call us at

USA/Canada:

+1 877 546 3243, or +1
972 244 9288

Asia-Pacific:

+86.021.54279977*808

Europe, Middle-East and
Africa:

+49.89.878067-280

www.gecriticalpower.com

GE Critical Power reserves the right to make changes to the product(s) or information contained herein without notice, and no liability is assumed as a result of their use or application. No rights under any patent accompany the sale of any such product(s) or information.