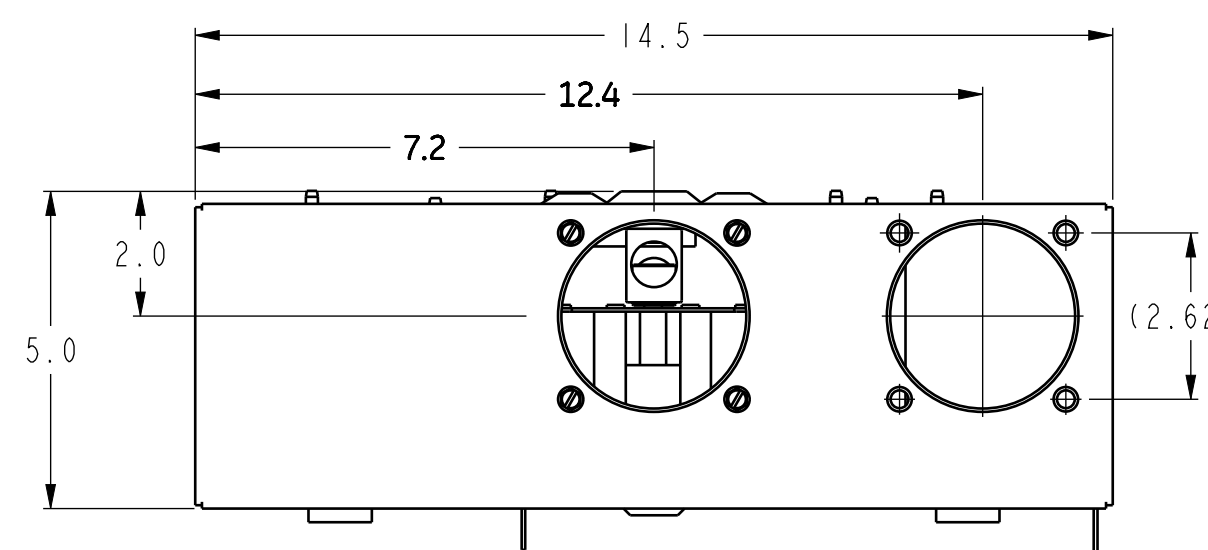
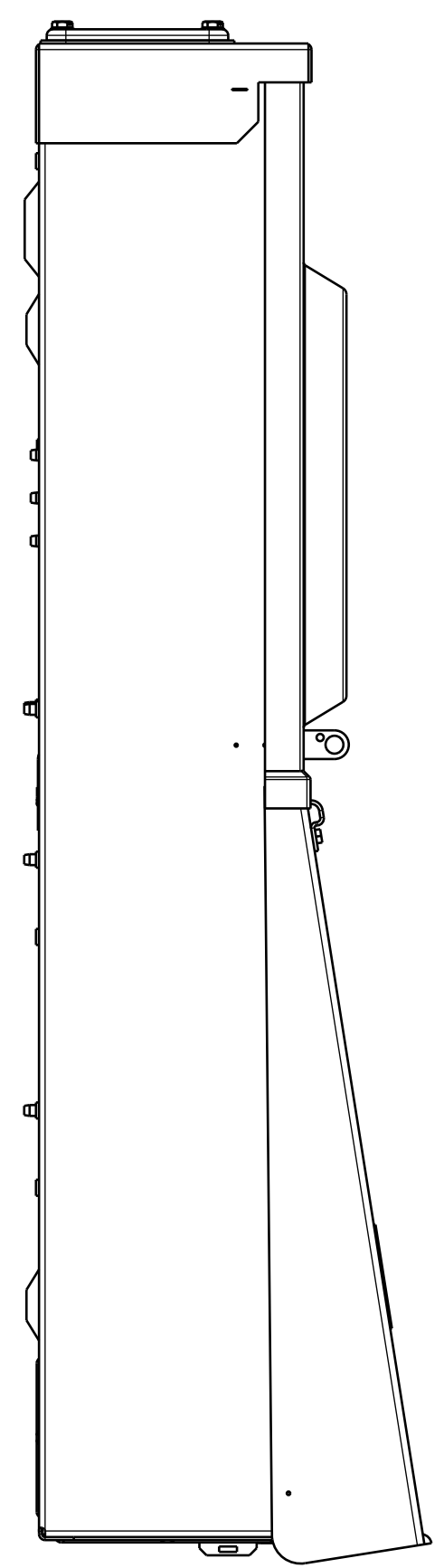


ABB PROPRIETARY AND CONFIDENTIAL INFORMATION
 The information contained in this document has to be kept strictly confidential. Any unauthorized use, reproduction, distribution or disclosure to third parties is strictly forbidden. ABB reserves all rights regarding Intellectual Property Rights. Copyright 2018 ABB. All rights reserved.

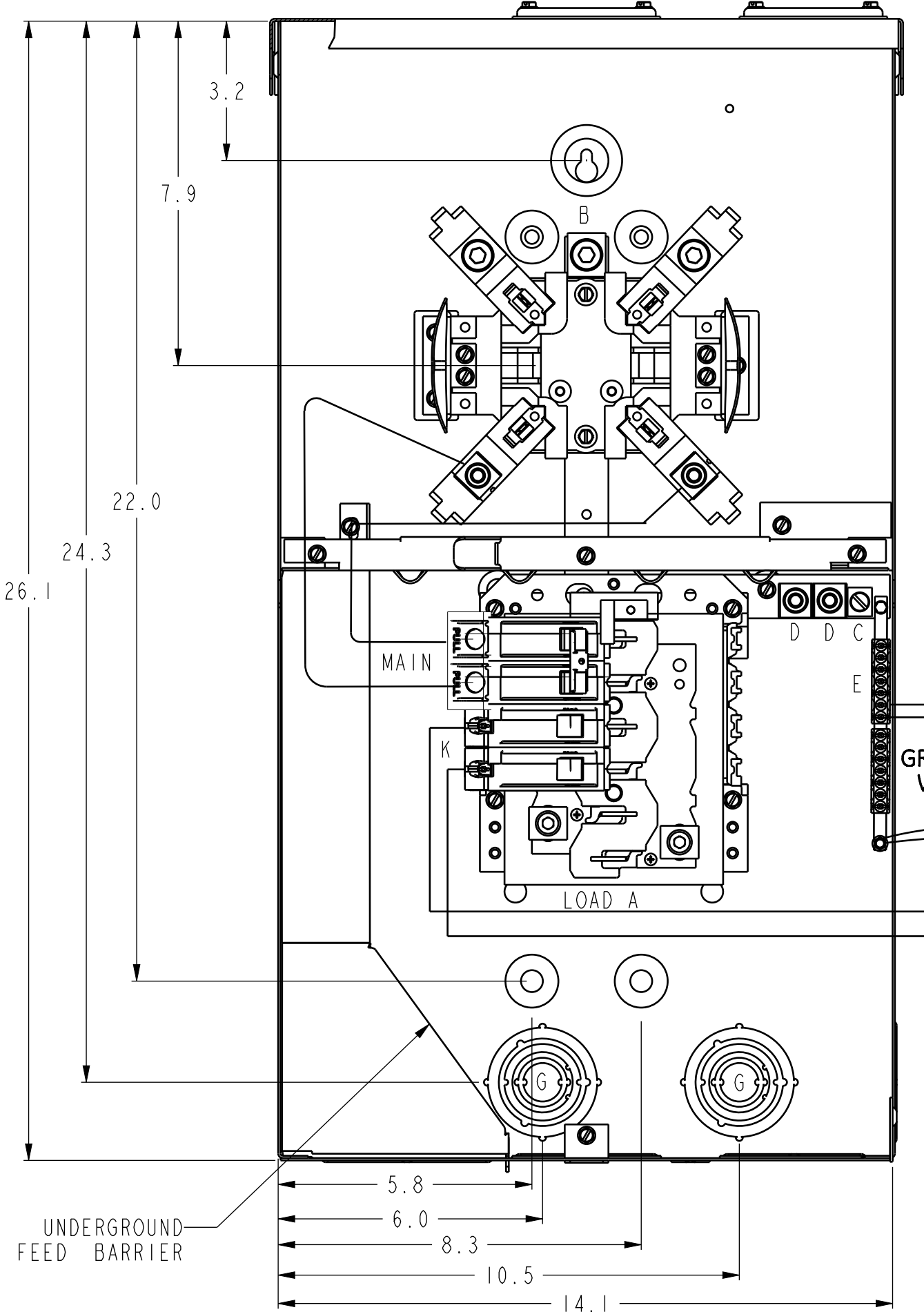
SIZE	DRAWING NO.	REV	SHEET	
	D R111CB2010	B	1	
REV.		DESCRIPTION	DATE	APPROVED
A	CN ECN000251302	TEJA	11/23/22	WILL L
B	CN ECN000260218	TEJA	01/13/23	WILL L



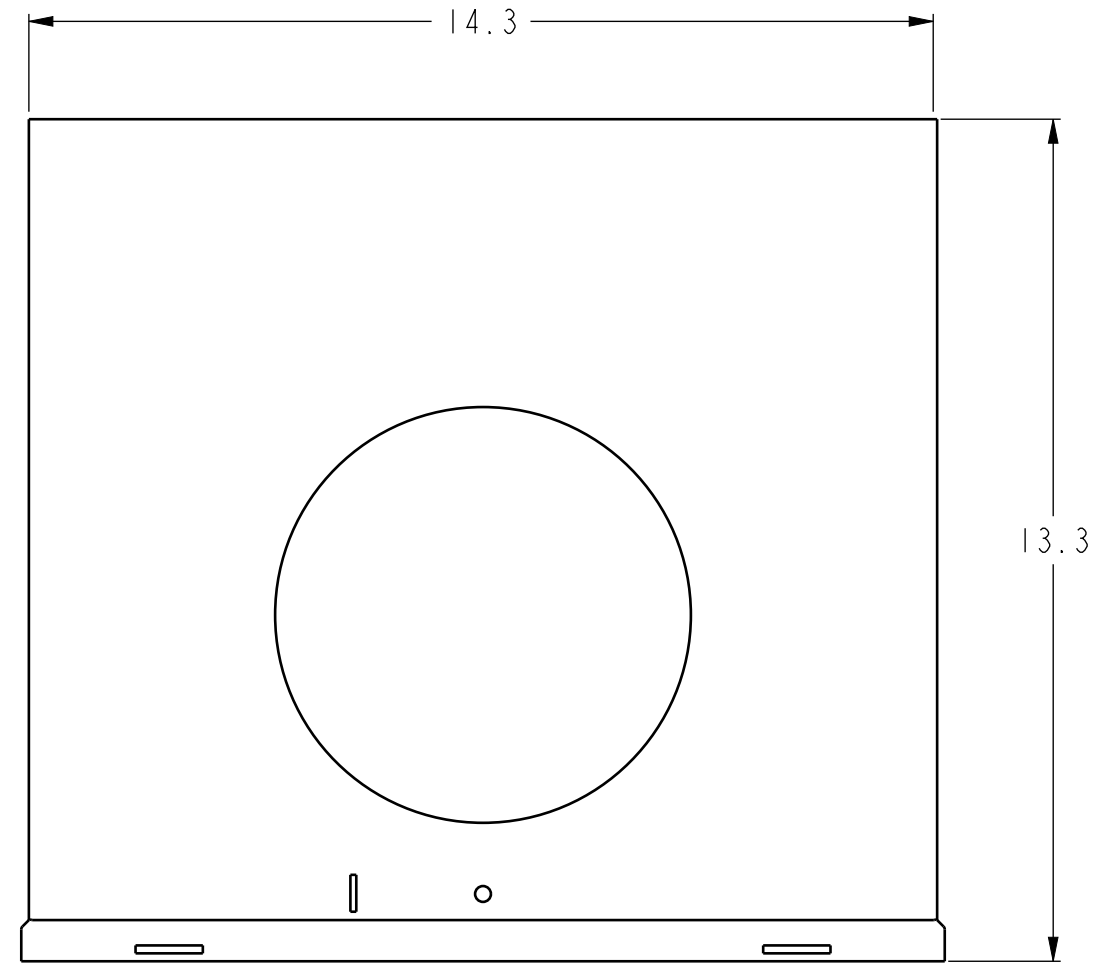
REFER TO MIDWEST CATALOG FOR HUB OPTIONS



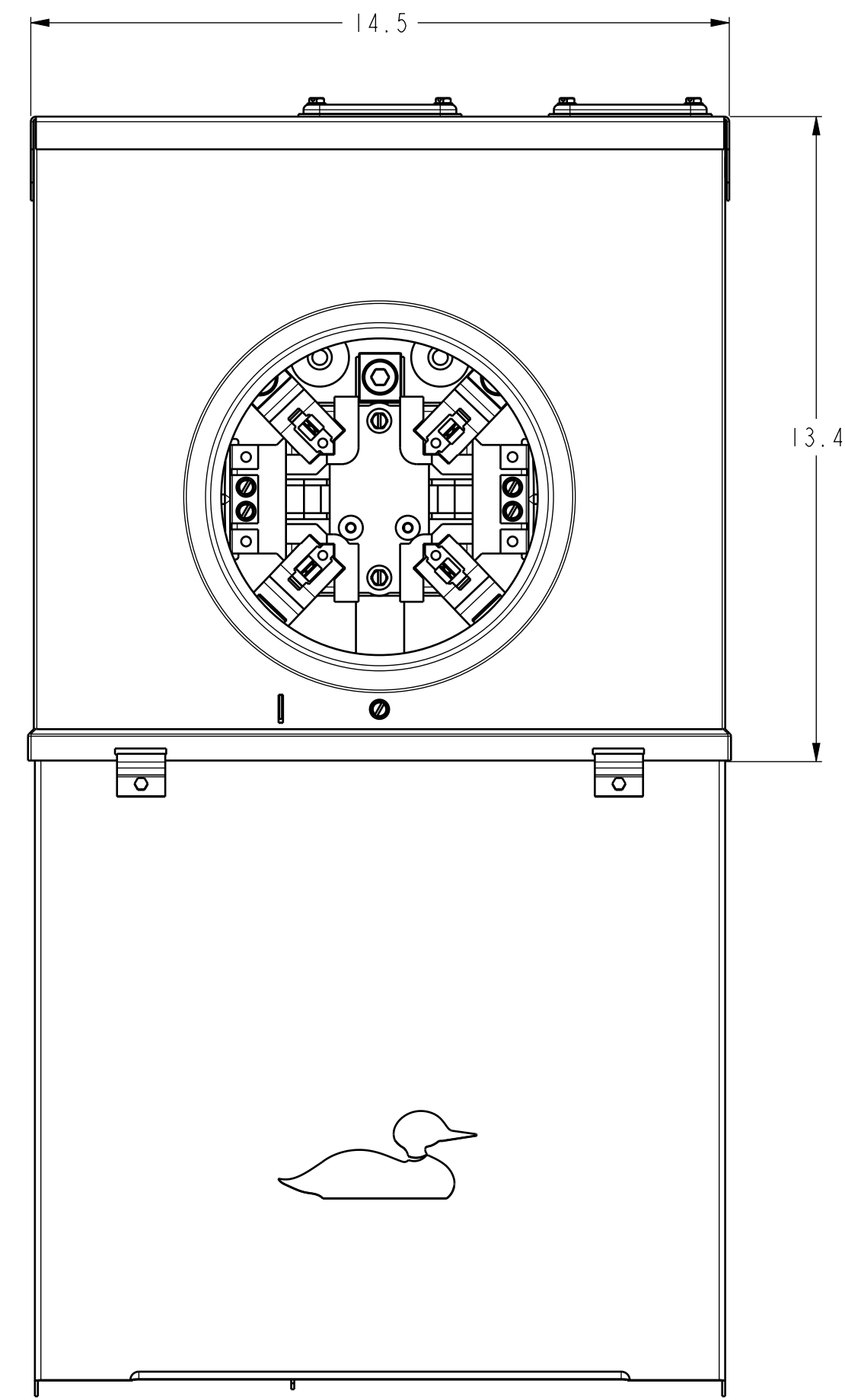
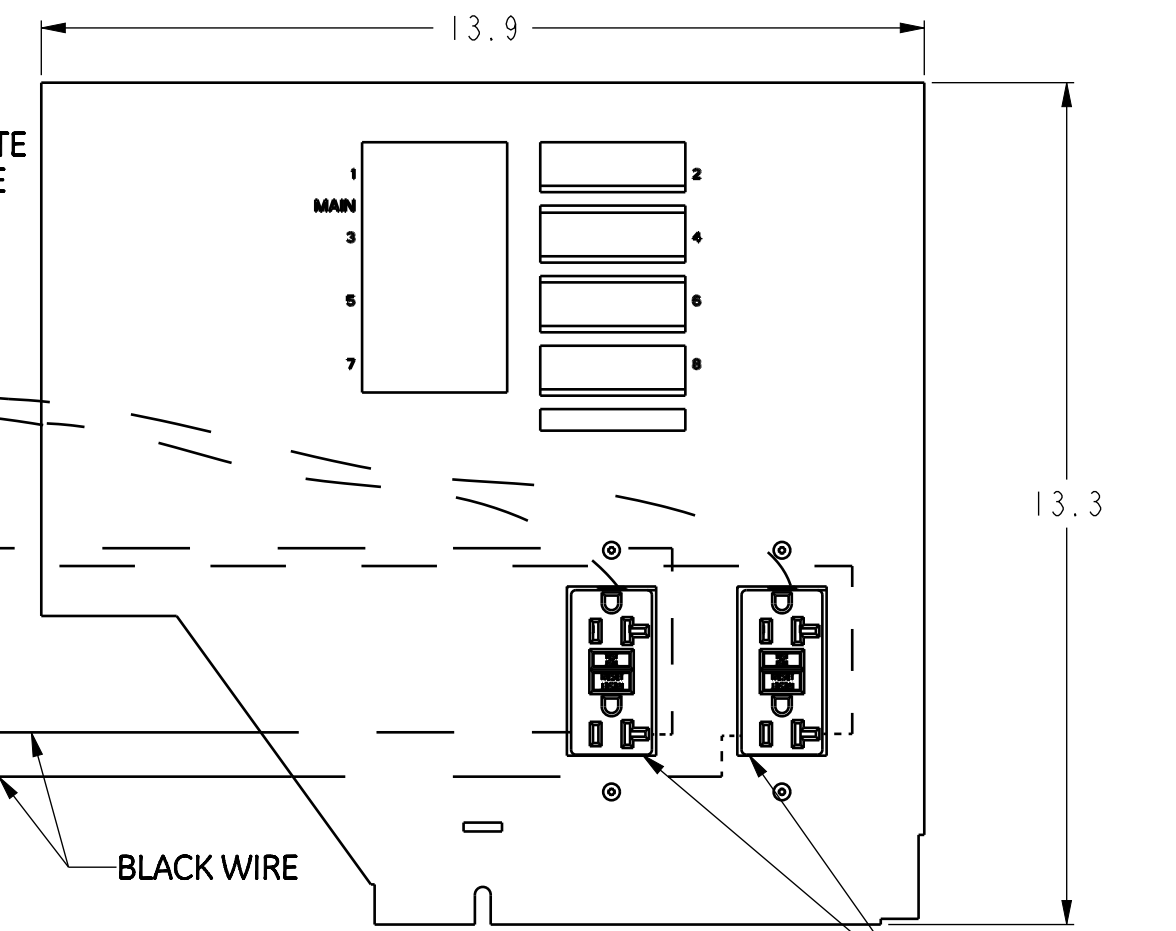
SIDE VIEW



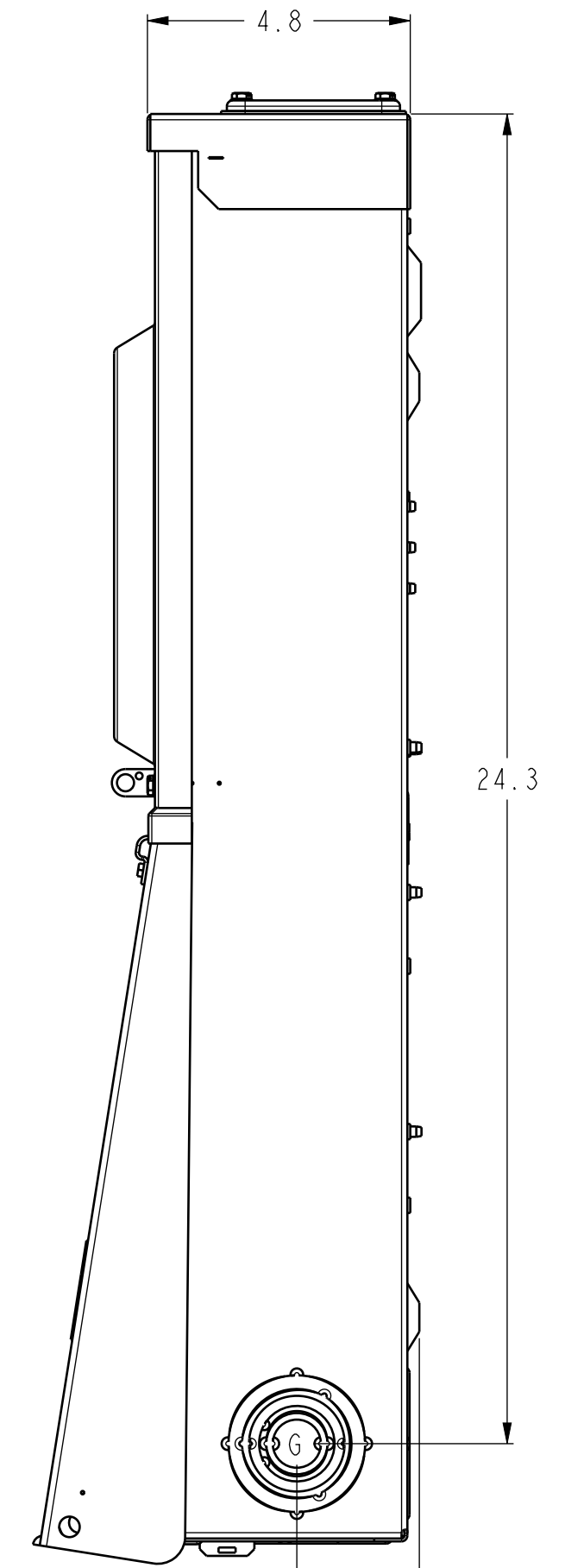
FRONT VIEW INTERIOR



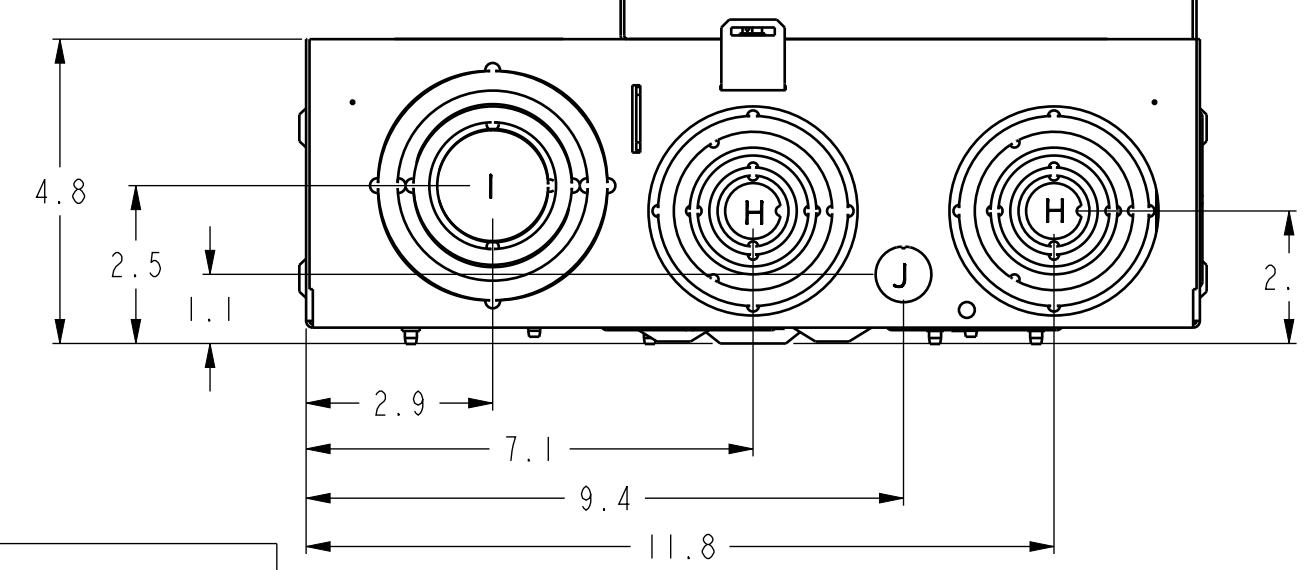
FRONT VIEW INSIDE COVER



FRONT VIEW EXTERNAL



SIDE VIEW



KNOCKOUT TABLE:

G= 1/2", 3/4", 1", 1-1/4", 1-1/2", 2" KO
H= 1/2", 3/4", 1", 1-1/4", 1-1/2", 2", 2-1/2" KO
I= 1-1/4", 1-1/2", 2", 2-1/2", 3" KO
J= 1/2" KO

WIRE RANGE TABLE:

CONNECTOR	COPPER		ALUMINIUM	
	SOLID	STRANDED	SOLID	STRANDED
LINE METER SOCKET	-	1-4/0	-	1-4/0
LOAD "A"	-	2-4/0	-	2-4/0
NEUTRAL - "B"	6-4/0	-	-	6-4/0
NEUTRAL - "C"	14-8	14-1/0	12-8	12-1/0
NEUTRAL - "D"	-	2-250	-	2-250
NEUTRAL - "E"				
3 LARGE HOLES	14-8	14-4	12-8	12-4
4 SMALL HOLES	14-8	14-8	12-8	12-8
EQUIP. GRND.				
3 LARGE HOLES	14-8	14-4	12-8	12-4
4 SMALL HOLES	14-8	14-8	12-8	12-8

	CIRCUIT PROTECTION	NAME	QUANTITY
MAIN (1 & 3)	THQL21100	2P 120/240V 100AMP	1
K (5 & 7)	THQL1120	1 POLE 120/240V 20AMP	2

FOR ADDITIONAL INFO REFER TO:	SIGNATURES	DATE
APPLIED PRACTICES	MODEL TEJA CHINTALA	
DIMENSIONS ARE IN INCHES	DETAIL TEJA CHINTALA	
UNLESS OTHERWISE SPECIFIED IN DRAWING	CHECKED	
TOLERANCE ON:	ENGRG	
1 PL DECIMALS ± 0.1	MFG	
2 PL DECIMALS ± 0.02	QUALITY	
3 PL DECIMALS ± 0.005	ISSUED	
ANGLES ± 1.0		
FRACTIONS ± FINISH		
CRITICAL TO QUALITY CHARACTERISTIC	DRAWING FILE: R111CB2010M01.OD	
	SOLID MODEL: R111CB2010M01	

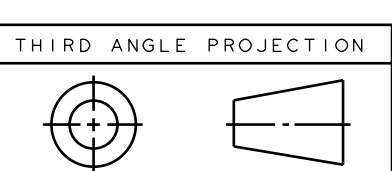
Midwest Electric Products

TITLE: R111CB2010M01.OD OUTLINE DRAWING MIDWEST POWER OUTLET METERED100A MAIN 120/240V TEMPORARY SERVICE EQUIPMENT N3R UL LISTED 4 SPACES

SIZE: D DRAWING: R111CB2010 REV: B

SCALE: 3:50 SHEET 1 OF 1

Part must conform to SI 900000 Sect. 4, Toxicity Procedure



THIRD ANGLE PROJECTION