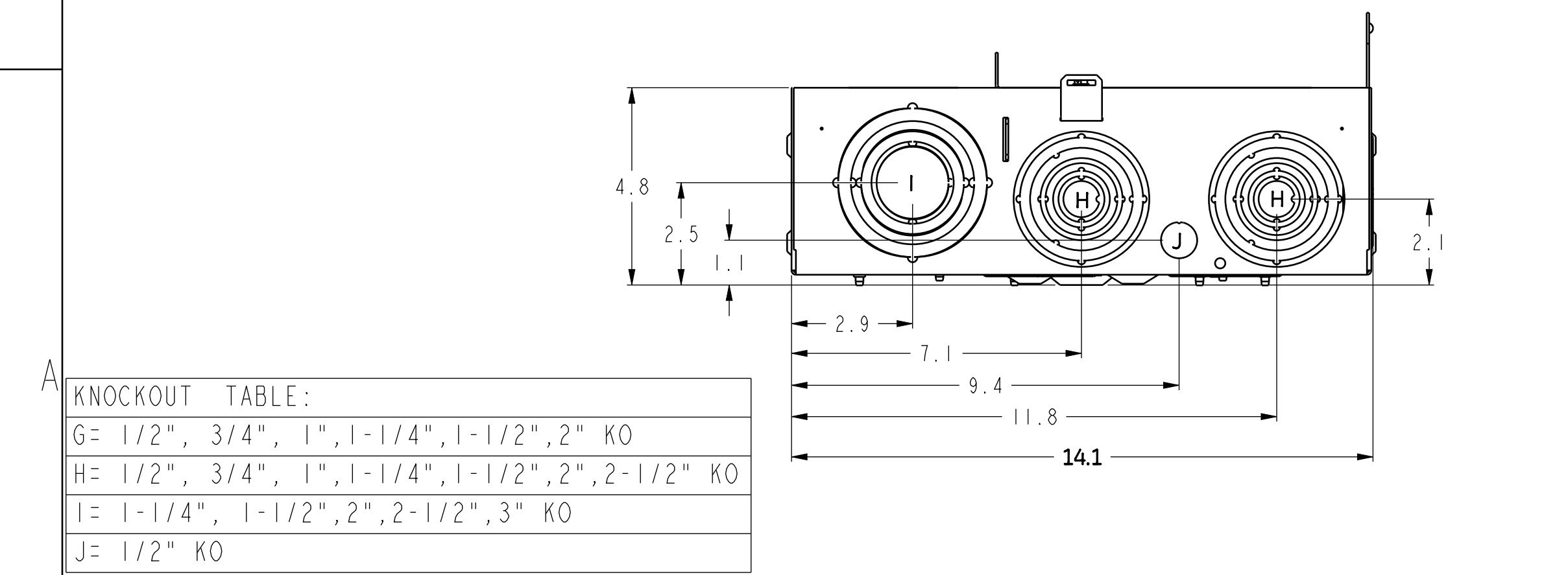
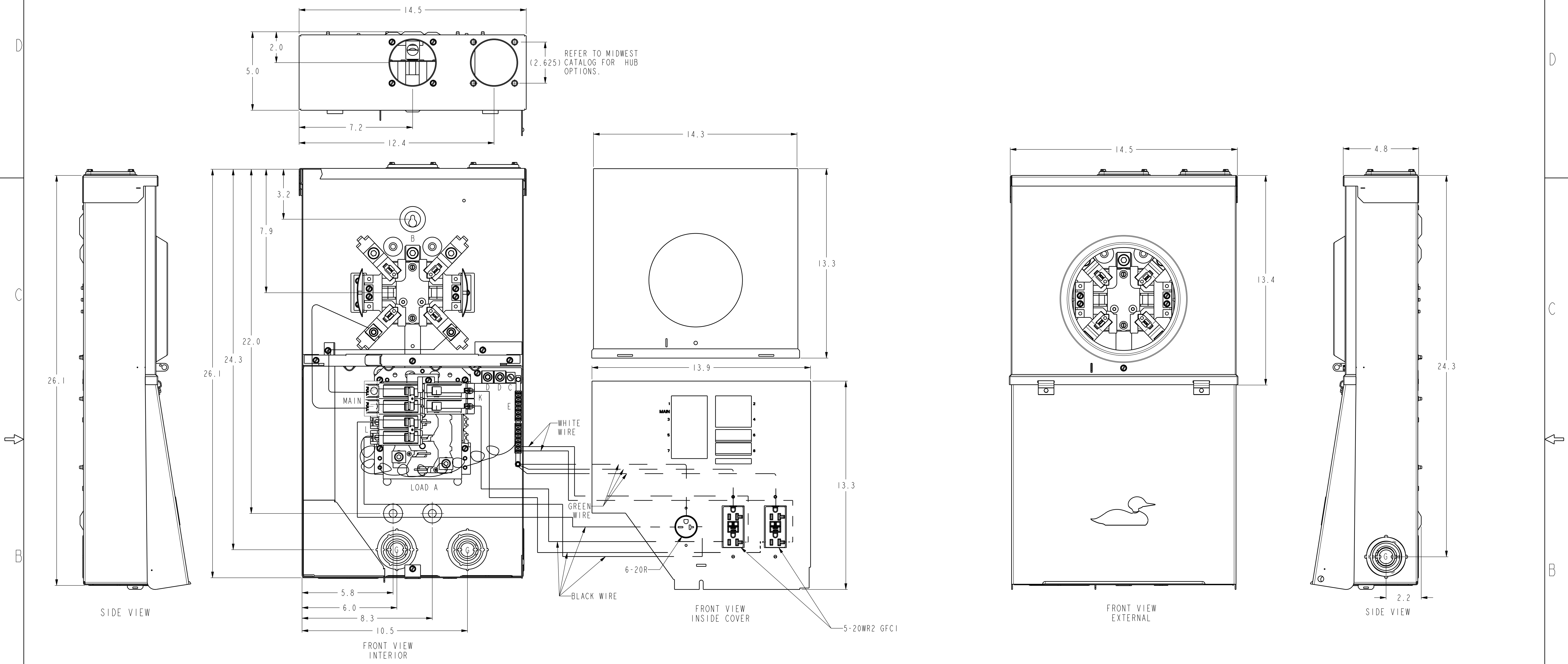


| REV. | DESCRIPTION | DATE | APPROVED |
|------|-----------------|---------------|----------|
| A | CN ECN000251302 | TEJA 11/23/22 | WILL L |
| B | CN ECN000260229 | TEJA 01/13/22 | WILL L |



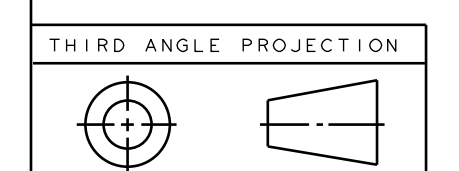
KNOCKOUT TABLE:

| |
|--|
| G= 1/2", 3/4", 1", 1-1/4", 1-1/2", 2" KO |
| H= 1/2", 3/4", 1", 1-1/4", 1-1/2", 2", 2-1/2" KO |
| I= 1-1/4", 1-1/2", 2", 2-1/2", 3" KO |
| J= 1/2" KO |

WIRE RANGE TABLE:

| CONNECTOR | COPPER | | ALUMINIUM | |
|-------------------|--------|----------|-----------|----------|
| | SOLID | STRANDED | SOLID | STRANDED |
| LINE METER SOCKET | - | 1-4/0 | - | 1-4/0 |
| LOAD "A" | - | 2-4/0 | - | 2-4/0 |
| NEUTRAL - "B" | 6-4/0 | - | - | 6-4/0 |
| NEUTRAL - "C" | 14-8 | 14-1/0 | 12-8 | 12-1/0 |
| NEUTRAL - "D" | - | 2-250 | - | 2-250 |
| NEUTRAL - "E" | | | | |
| 3 LARGE HOLES | 14-8 | 14-4 | 12-8 | 12-4 |
| 4 SMALL HOLES | 14-8 | 14-8 | 12-8 | 12-8 |
| EQUIP. GRND. | | | | |
| 3 LARGE HOLES | 14-8 | 14-4 | 12-8 | 12-4 |
| 4 SMALL HOLES | 14-8 | 14-8 | 12-8 | 12-8 |

| | CIRCUIT PROTECTION | NAME | QUANTITY |
|--------------|--------------------|---------------------------|----------|
| MAIN (1 & 3) | THQL21100 | 2P 120/240V 100AMP | 1 |
| K (2 & 4) | THQL1120 | 1 POLE 120/240V 20AMP | 2 |
| L (5 & 7) | THQL2120GFT | THQL 2P 120/240V 20A GFCI | 1 |



| FOR ADDITIONAL INFO REFER TO: | SIGNATURES | DATE |
|---------------------------------------|--------------------------------|----------|
| APPLIED PRACTICES | MODEL TEJA CHINTALA | 11/23/22 |
| DIMENSIONS ARE IN INCHES | DETAIL TEJA CHINTALA | 11/23/22 |
| UNLESS OTHERWISE SPECIFIED IN DRAWING | CHECKED WILL L | 11/23/22 |
| TOLERANCE ON: | ENGRG | |
| 1 PL DECIMALS ± 0.1 | MFG | |
| 2 PL DECIMALS ± 0.02 | QUALITY | |
| 3 PL DECIMALS ± 0.005 | ISSUED | |
| ANGLES ± 1.0 | | |
| FRACTIONS ± FINISH | | |
| CRITICAL TO QUALITY CHARACTERISTIC | DRAWING FILE: R138CB2033M01.OD | |
| | SOLID MODEL: R138CB2033M01 | |

Midwest Electric Products

TITLE: R138CB2033M01.OD OUTLINE DRAWING MIDWEST POWER OUTLET METERED
 100A MAIN 120/240V Service Equipment N3R UL LISTED 2 SPACES TEMPORARY SERVICE EQUIPMENT

SIZE: D DRAWING: R138CB2033 REV: B

SCALE: 3:50 SHEET 1 OF 1

Part must conform to SI 900000 Sect. 4, Toxicity Procedure