

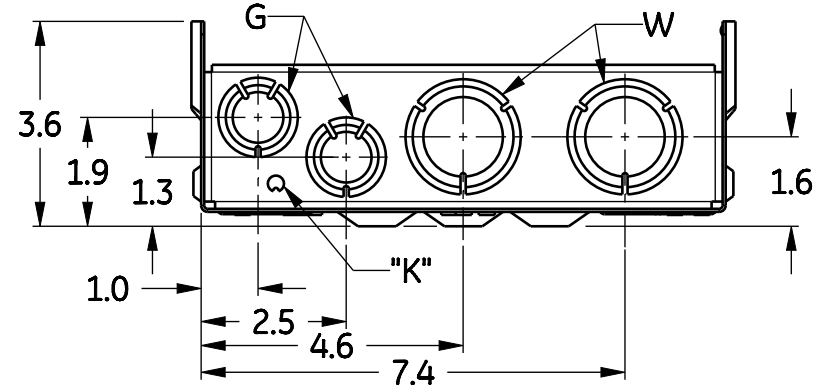
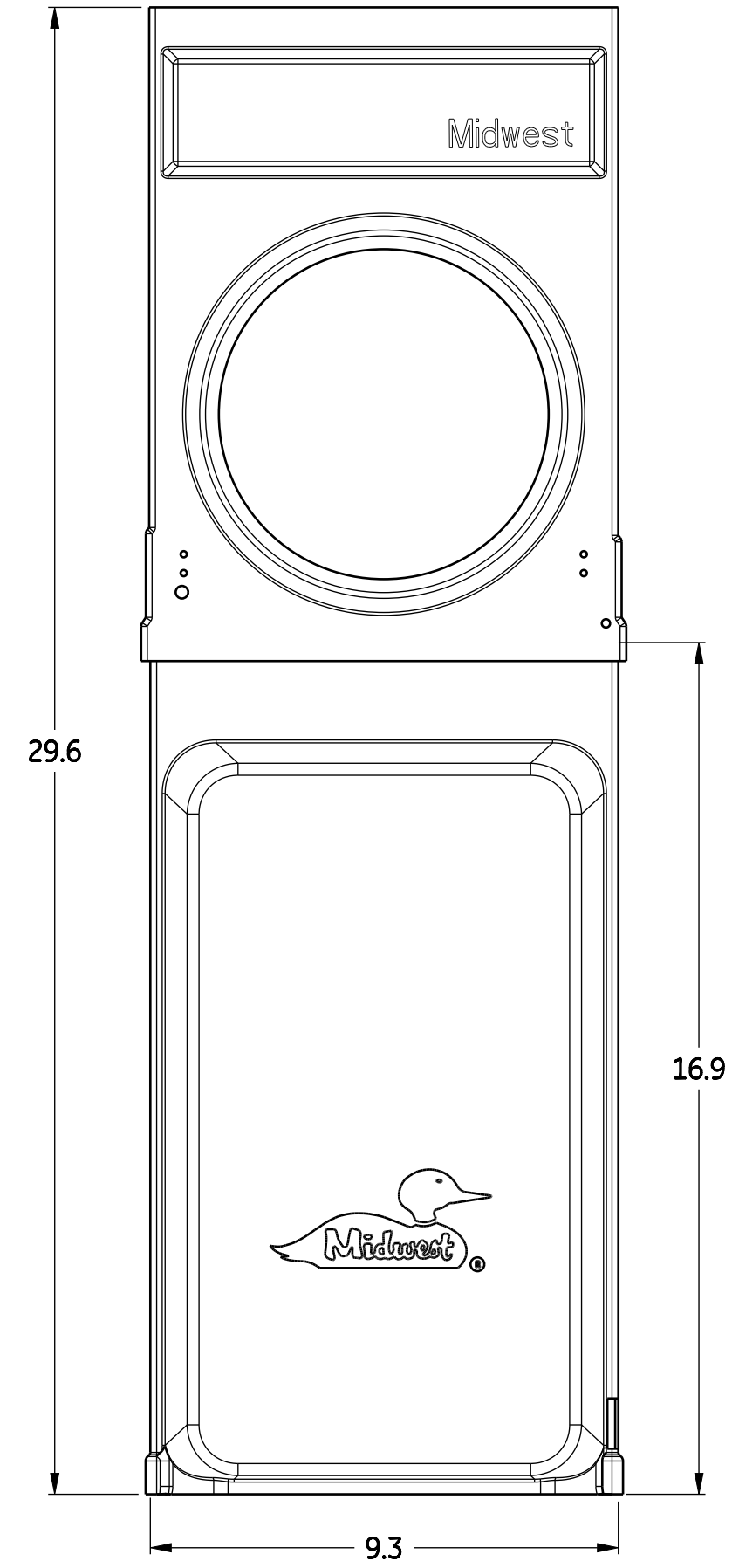
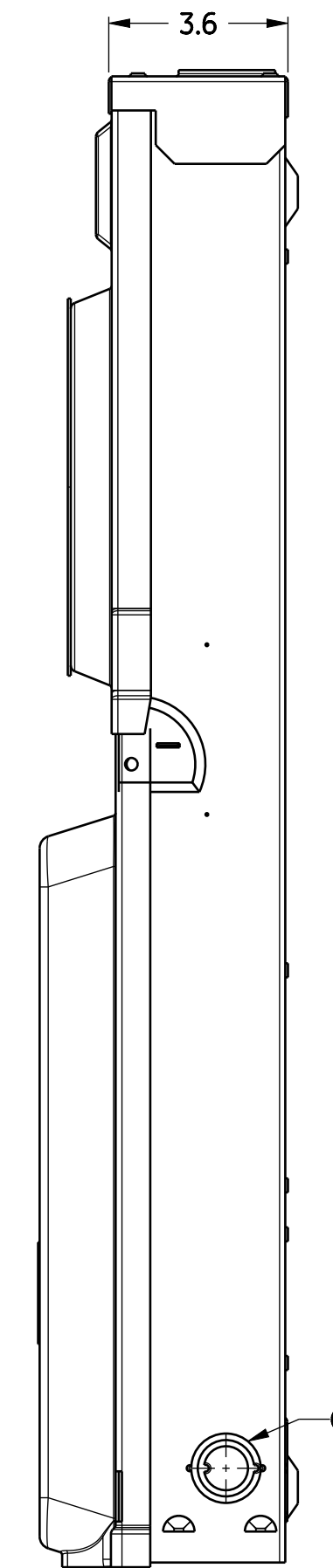
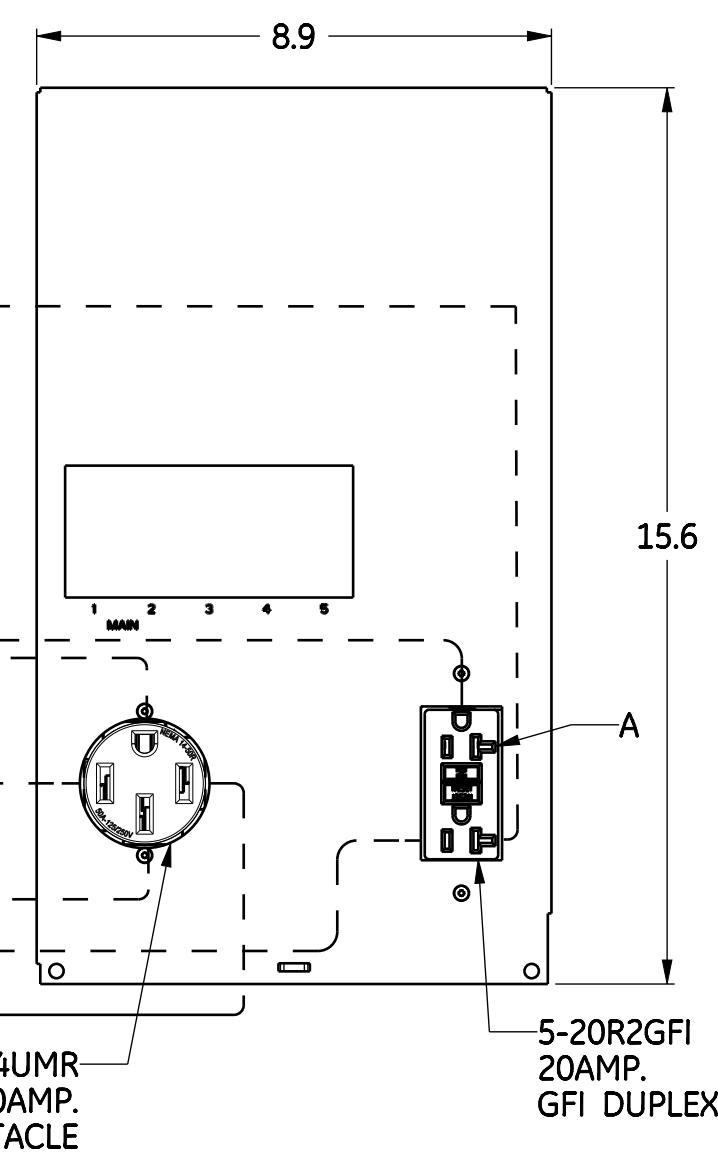
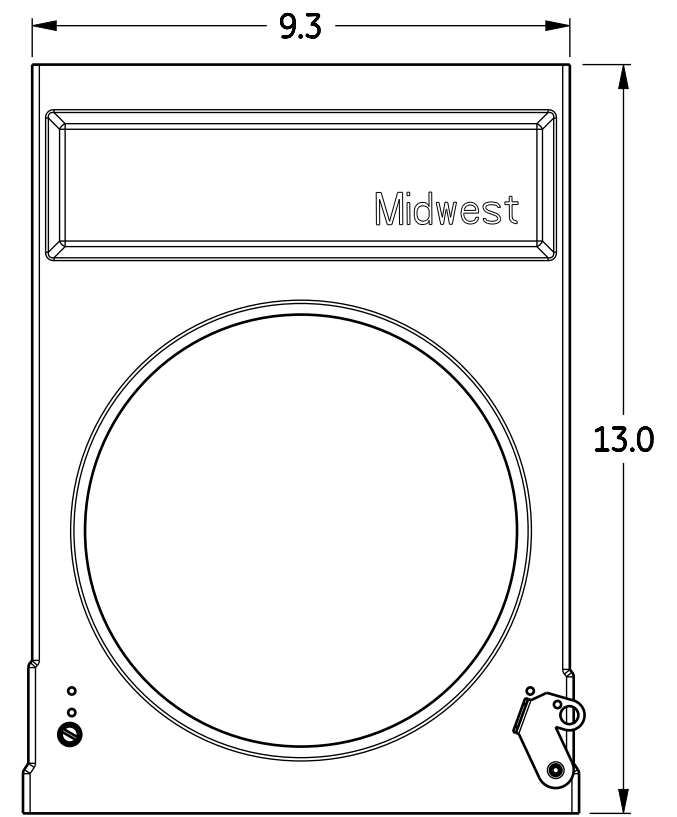
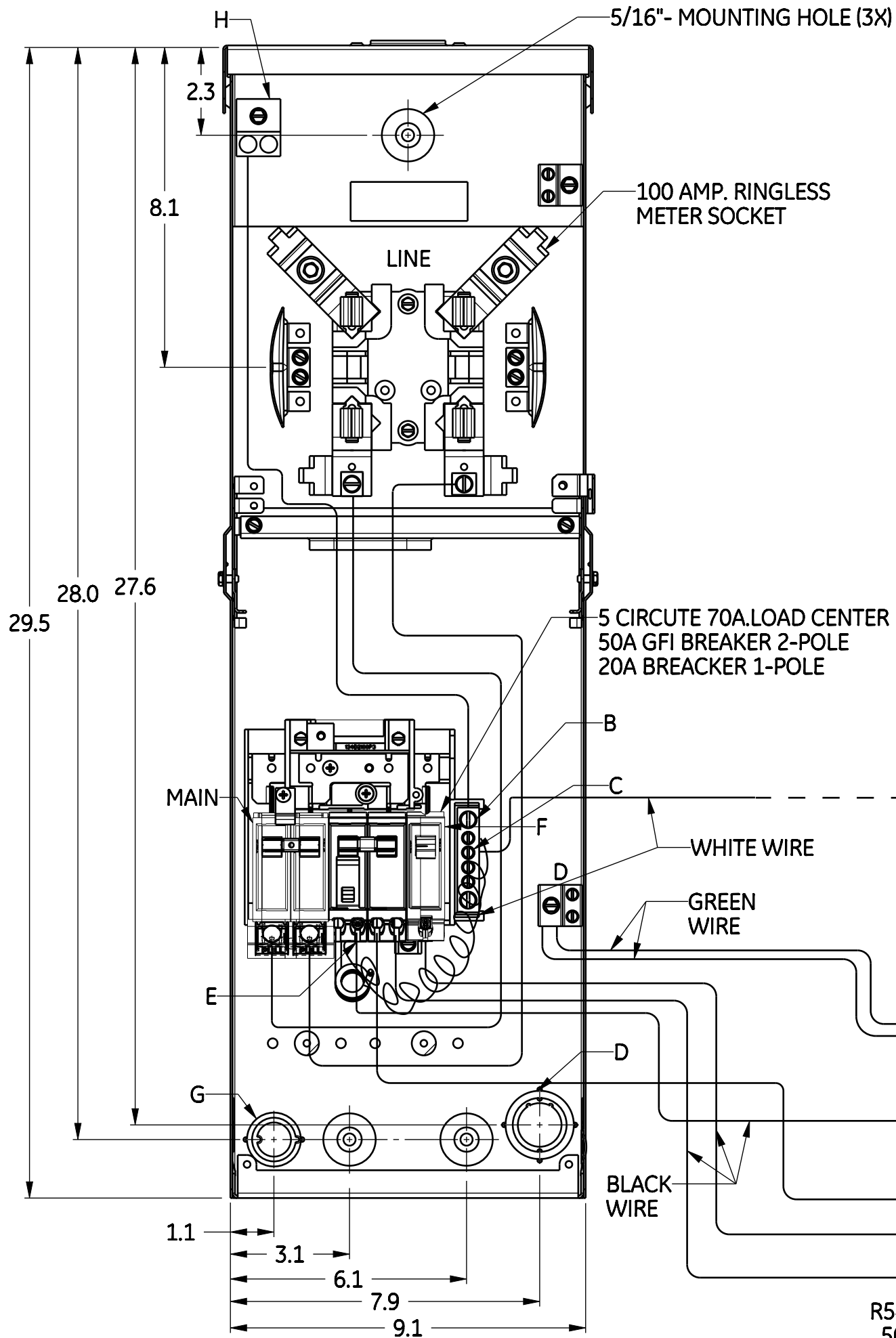
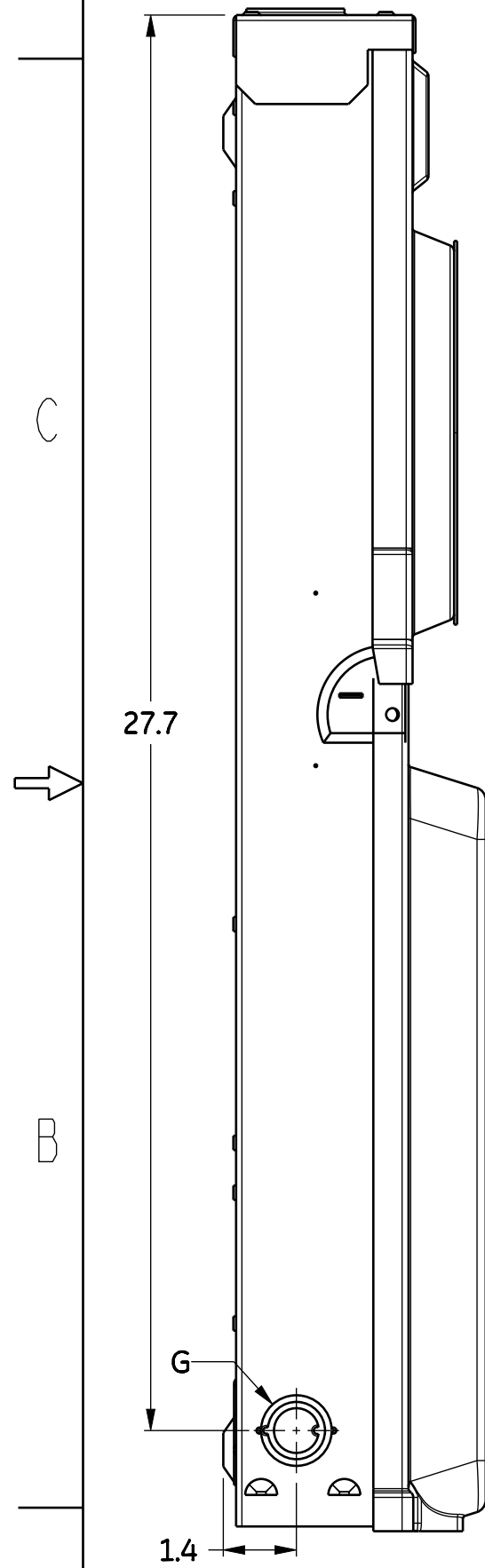
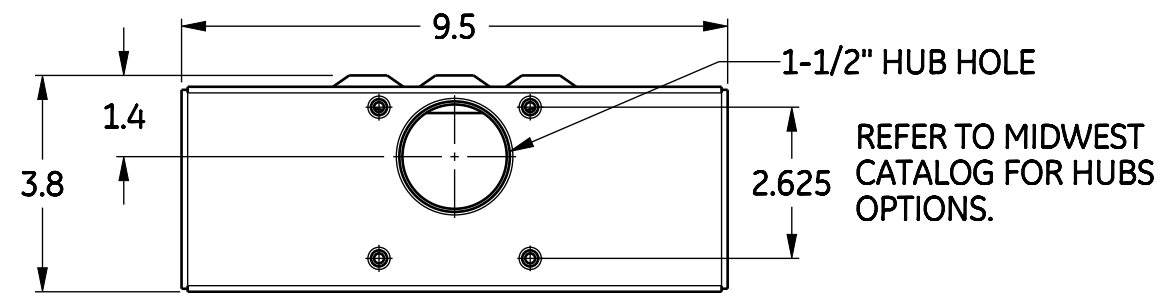
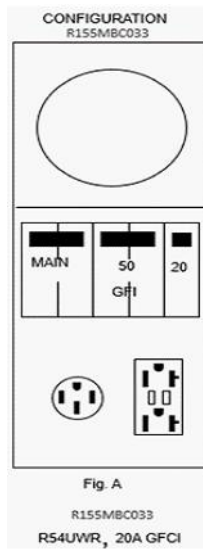
14

13

12

WIRE RANGE TABLE:

CONNECTOR	COPPER		ALUMINIUM	
	SOLID	STRANDED	SOLID	STRANDED
LINE	-	6-350	-	6-350
LOAD "A"	14-10	14-10	-	-
NEUTRAL "B"(END HOLE)	12-8	12-1/0	10-8	10-1/0
NEUTRAL "C"(SIDE HOLE)	14-8	14-4	12-10	12-4
EQUIP. GRND. "D"	12-8	12-2	12-8	12-2
NEUTRAL - "H"	-	14-1/0	-	14-1/0



KNOCKOUT TABLE:-

G = 1/2", 3/4", 1" KO
W = 1", 1 1/4", 1 1/2" KO
D = 3/4", 1", 1-1/4" KO
K = 9/32" KO

	CIRCUIT PROTECTION	NAME	QUANTITY
MAIN (1 & 2)	THQL2170	2P 120/240V 70AMP	1
"E" 3 & 4	THQL2150GFT2	GFCI 2P 50A 120V	1
"F" 5	THQL1120	1 POLE 120/240V 20AMP	1

Midwest Electric Products

TITLE
R155MBC033M01 OUTLINE DRAWING/ 70A 120/240 50/20 W/MAIN BKR

TEMPORARY POWER SERVICE EQUIPMENT

SIZE C	MODEL R155MBC033	REV D
-----------	---------------------	----------

SCALE: 1:10
OUTLINE DRAWING
SHEET 1 OF 1

14

13

12

11