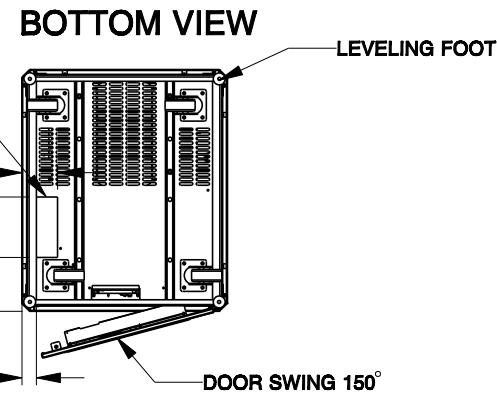
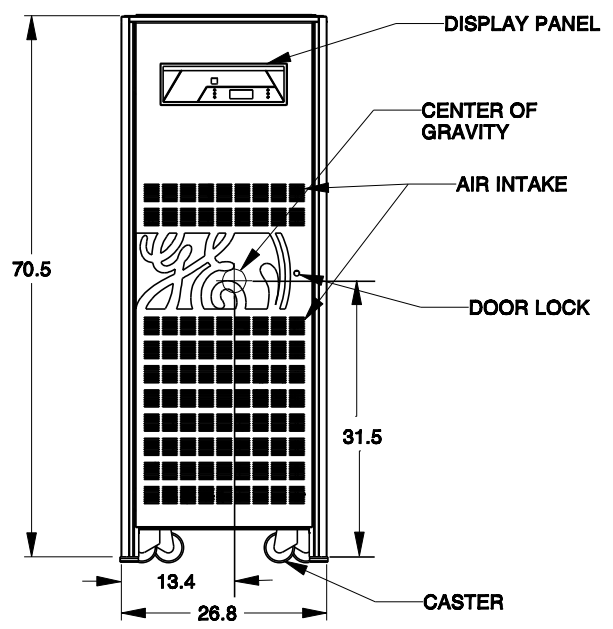


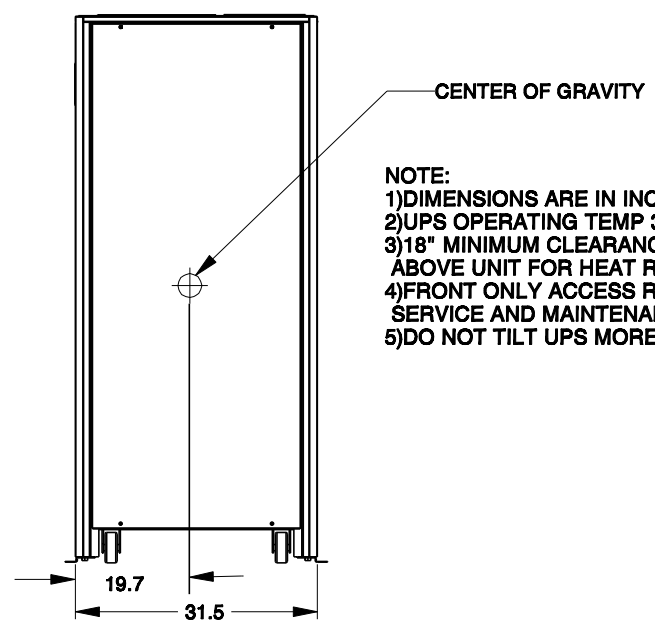
TOP CABLE ENTRY AREA APPROX. 75 sq. in.



FRONT VIEW



SIDE VIEW



NOTE:
 1) DIMENSIONS ARE IN INCHES
 2) UPS OPERATING TEMP 32° F-104° F
 3) 18" MINIMUM CLEARANCE REQUIRED ABOVE UNIT FOR HEAT REJECTION
 4) FRONT ONLY ACCESS REQUIRED FOR SERVICE AND MAINTENANCE
 5) DO NOT TILT UPS MORE THAN 10°



kVA	WEIGHT	HEAT REJECTION	FLOOR LOADING
30	970 lbs	8,104 BTU/hr	166 lbs/sq.ft
40	1147 lbs	10,808 BTU/hr	196 lbs/sq.ft

GE Industrial Systems GENERAL ELECTRIC COMPANY

TITLE: MECHANICAL OUTLINE

DIGITAL ENERGY SG SERIES 30-40 kVA

SIZE: DRAWING A

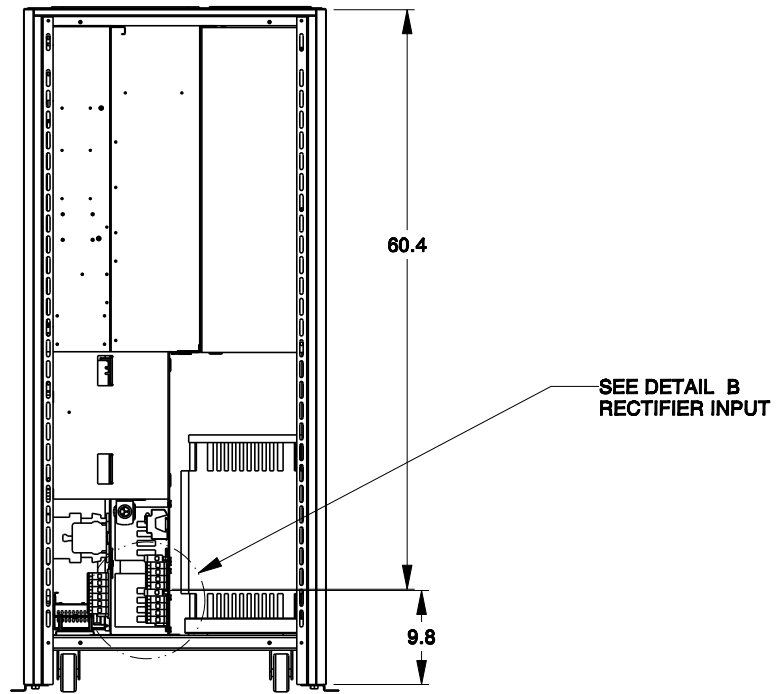
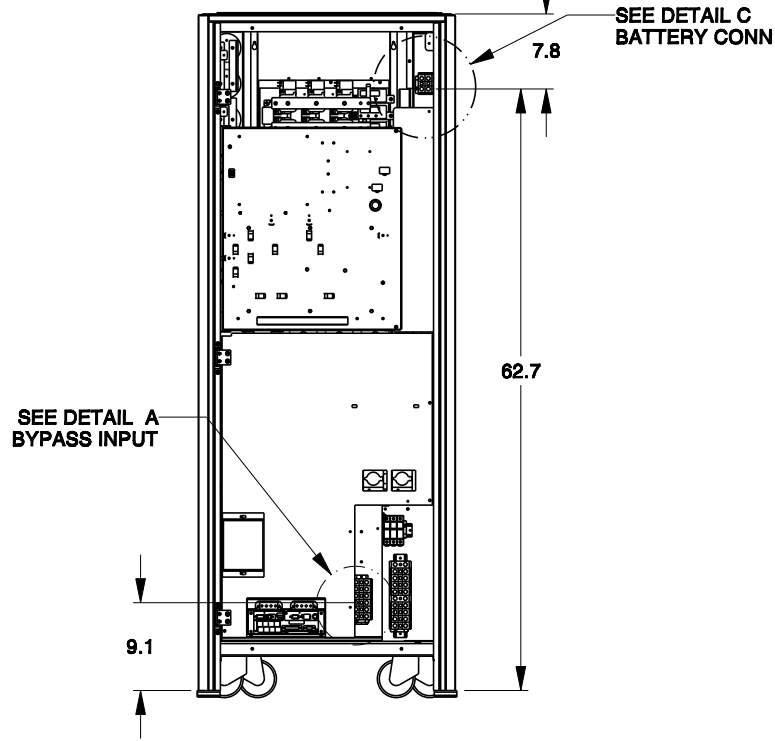
DATE:

2000010001 REV

SHEET 1 OF 1

FRONT VIEW WITH SAFTEY PANELS REMOVED

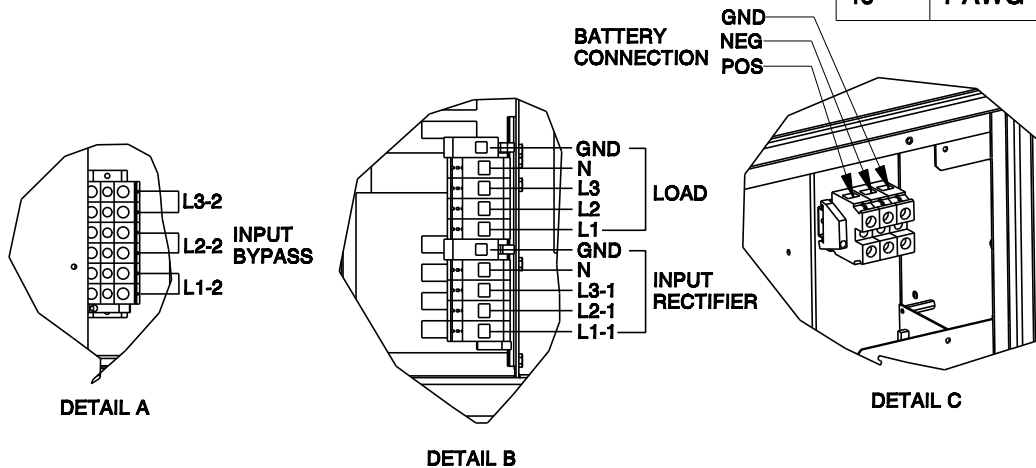
RIGHT SIDE VIEW WITH PANEL REMOVED



MAX CABLE DIA. FOR CABLE LUGS. REFER TO MANUAL FOR TORQUE SPECS

KVA	RECTIFIER INPUT	BYPASS INPUT	DC INPUT	AC OUTPUT	GND
30	1 AWG	1 AWG	1 AWG	1 AWG	1 AWG
40	1 AWG	1 AWG	1 AWG	1 AWG	1 AWG

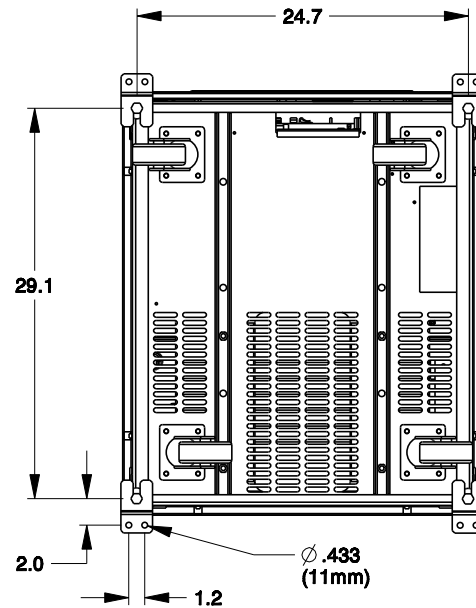
NOTE: DIMENSIONS ARE IN INCHES.



	GE Industrial Systems	GENERAL ELECTRIC COMPANY
	TITLE TERMINAL DETAIL DIGITAL ENERGY SG SERIES 30-40KVA	
SIZE A	DRAWING	2000010101
DATE:	REV	SHEET 1 of 1



BOTTOM VIEW SHOWING ANCHORING PROVISIONS

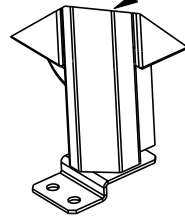
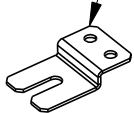
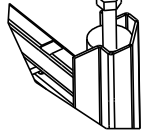


REAR SIDE

LEVELING FOOT

ANCHORING BRACKET
SUPPLIED WITH UNIT

ANCHORING BRACKET
SECURED TO UPS WITH
LEVELING FOOT



DETAIL A

DETAIL B

NOTE:
1) ALL DIMENSIONS ARE IN INCHES



*GE Industrial
Systems*

GENERAL ELECTRIC COMPANY

TITLE

ANCHORING DETAIL

DIGITAL ENERGY SG SERIES 30-40 kVA

SIZE DRAWING

A

2000010201

REV

DATE:

SHEET 1 of 1