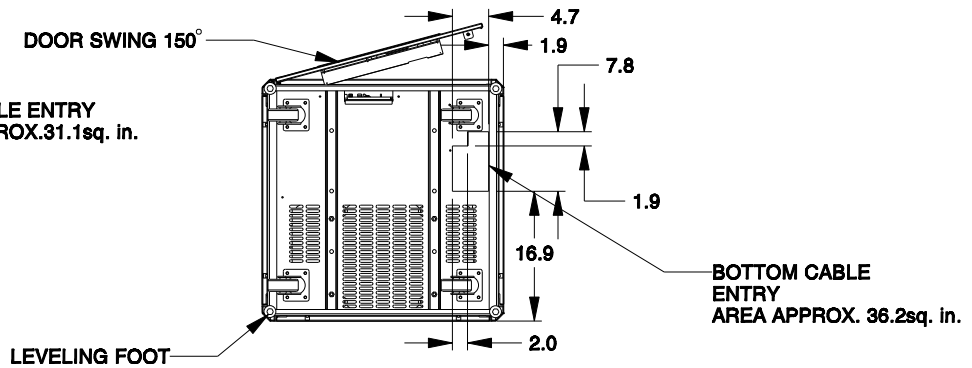
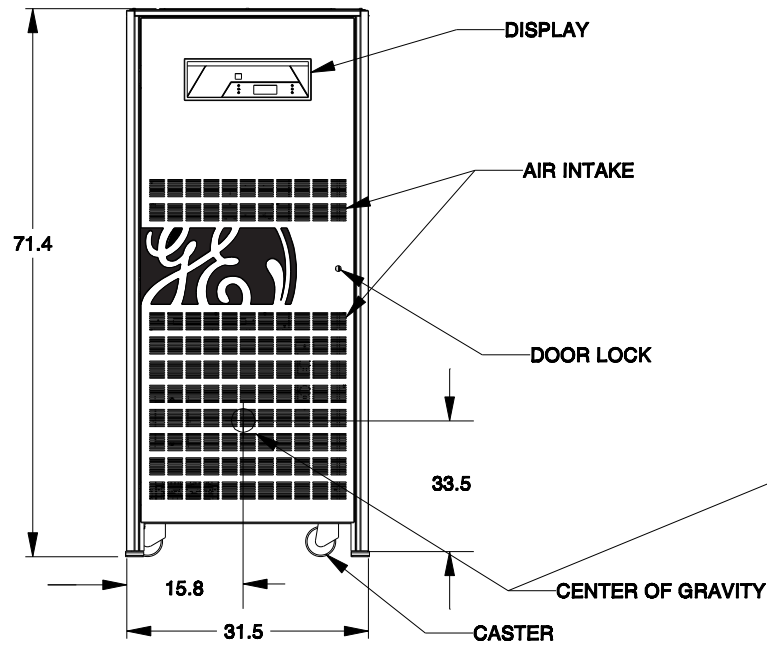


TOP CABLE ENTRY ARE APPROX. 31.1sq. in.

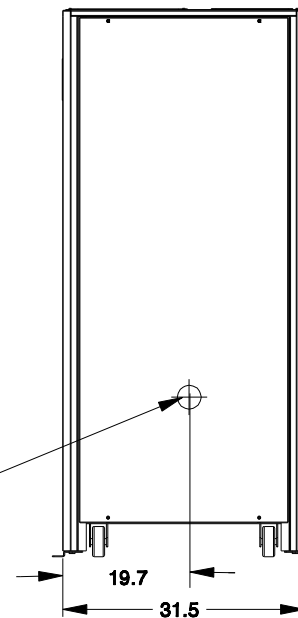
BOTTOM VIEW



FRONT VIEW



SIDE VIEW



- NOTE:**
 1) DIMENSIONS ARE IN INCHES
 2) UPS OPERATING TEMP 32° F - 104° F
 3) 18" MINIMUM CLEARANCE REQUIRED ABOVE UNIT FOR HEAT REJECTION
 4) FRONT ONLY ACCESS REQUIRED FOR SERVICE AND MAINTENANCE
 5) DO NOT TILT UPS MORE THAN 10°

kVA	WEIGHT	HEAT REJECTION	FLOOR LOADING
50	1,306 lbs	12,201 BTU/hr	249 lbs/sq.ft
80	1,491 lbs	19,005 BTU/hr	284 lbs/sq.ft



GE Industrial Systems

GENERAL ELECTRIC COMPANY

TITLE

MECHANICAL OUTLINE

DIGITAL ENERGY SG SERIES 50-80 kVA

SIZE DRAWING

A

2000009001

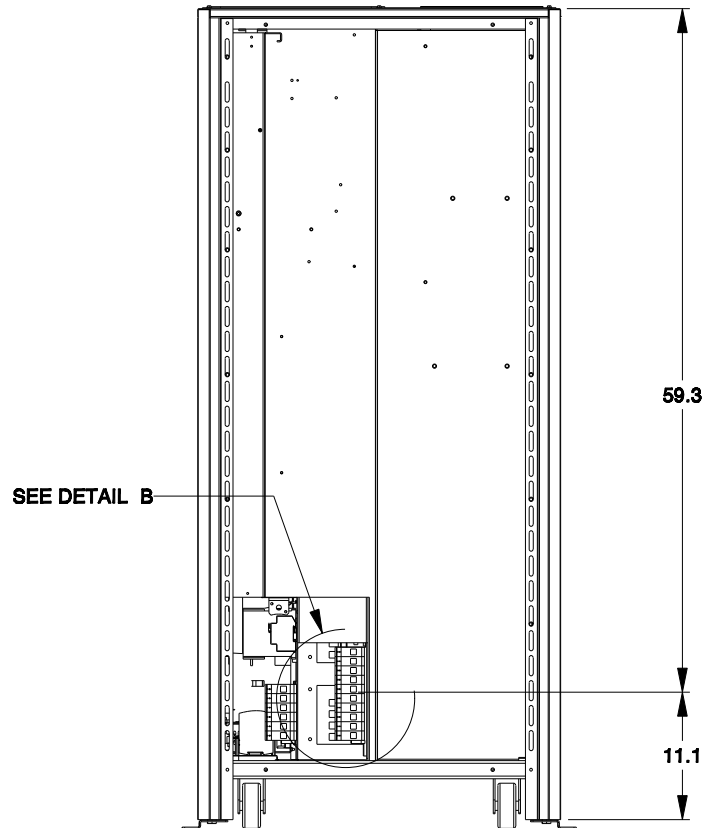
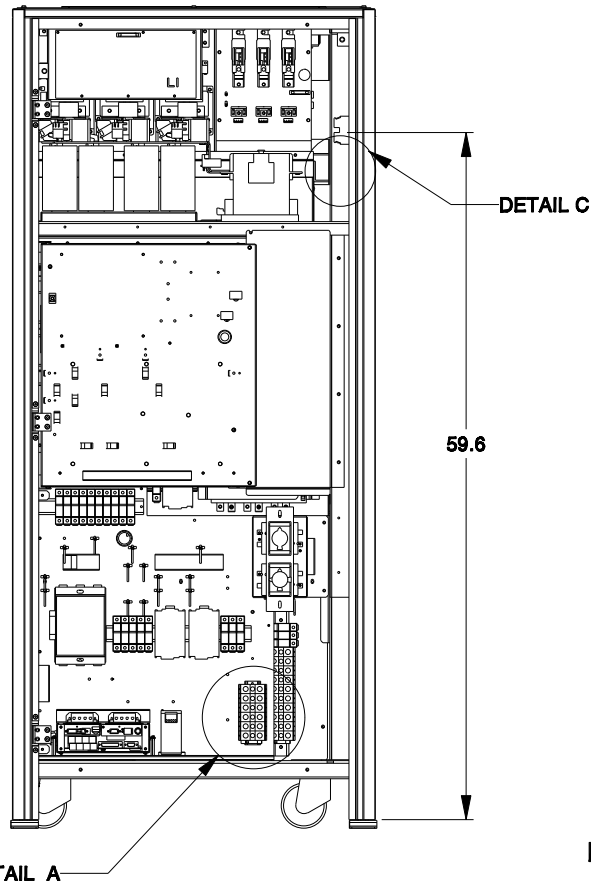
REV

DATE :

SHEET 1 OF 1

FRONT VIEW WITH SAFETY PANELS REMOVED

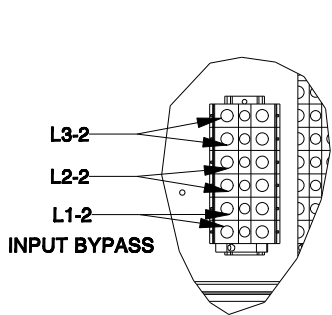
RIGHT SIDE VIEW WITH PANEL REMOVED



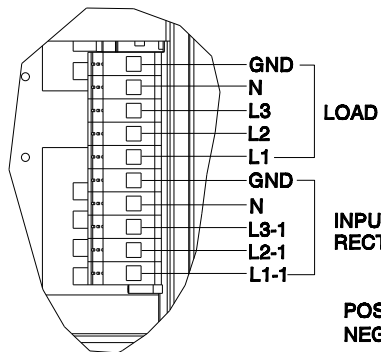
NOTE: DIMENSIONS ARE IN INCHES

MAX CABLE DIA. FOR CABLE LUGS. REFER TO MANUAL FOR TORQUE SPECS

KVA	RECTIFIER INPUT	BYPASS INPUT	DC INPUT	AC OUTPUT	GND
50	4/0 AWG	4/0 AWG	4/0 AWG	4/0 AWG	4/0 AWG
80	4/0 AWG	4/0 AWG	4/0 AWG	4/0 AWG	4/0 AWG



DETAIL A



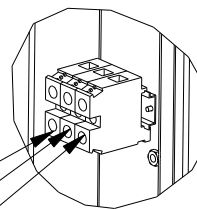
DETAIL B

LOAD

INPUT
RECTIFIER

POS
NEG
GND

BATTERY
CONNECTIONS



DETAIL C



GE Industrial
Systems

GENERAL ELECTRIC COMPANY

TITLE

TERMINAL DETAIL

DIGITAL ENERGY SG SERIES 50-80KVA

SIZE DRAWING

A

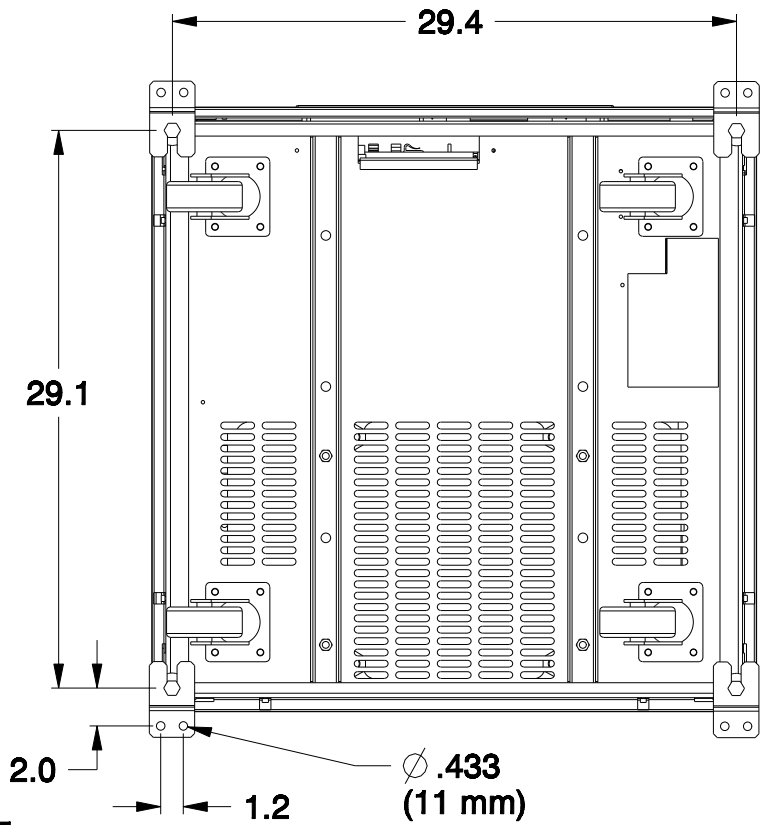
2000009101

REV

DATE :

SHEET 1 OF 1

BOTTOM VIEW SHOWING ANCHORING PROVISIONS

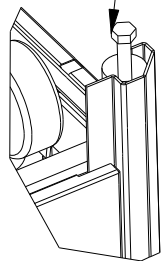


REAR SIDE

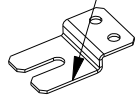
LEVELING FOOT

**ANCHORING BRACKET
SUPPLIED WITH UNIT**

**ANCHORING BRACKET
SECURED TO UPS WITH
LEVELING FOOT**



DETAIL A



DETAIL B

**NOTE:
1) DIMENSIONS ARE IN INCHES**

	<i>GE Industrial Systems</i>	GENERAL ELECTRIC COMPANY
--	----------------------------------	--------------------------

TITLE		ANCHORING DETAIL	
		DIGITAL ENERGY SG SERIES 50-80 kVA	
SIZE	DRAWING	2000009201	REV
A			

DATE :		SHEET 1 of 1
--------	--	--------------