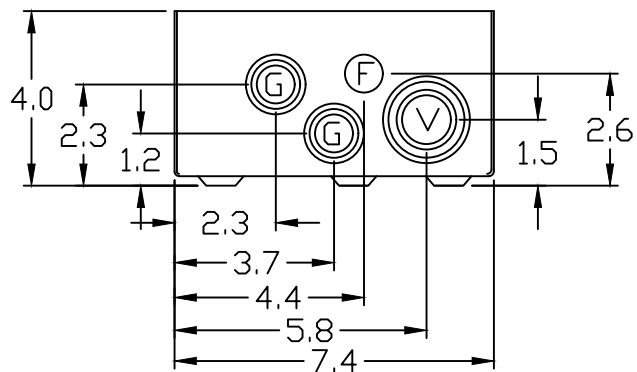
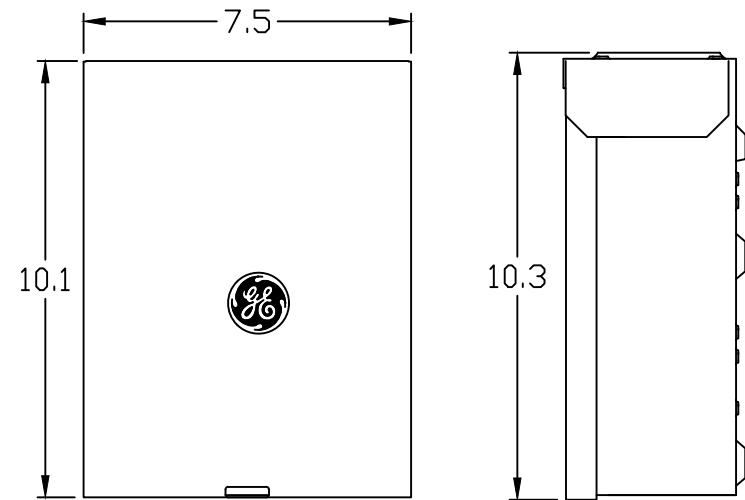
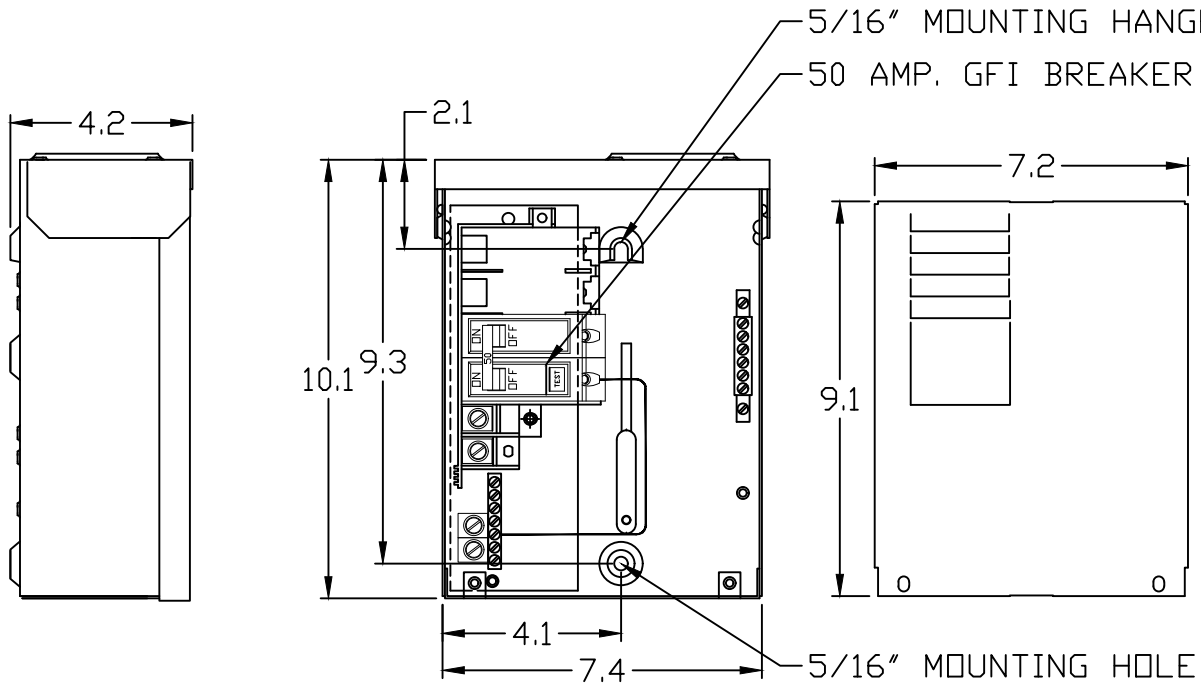



WIRE RANGE:
#6-2/0 AWG CU-AL



KNOCKOUT TABLE:

F = 1/2" KØ
G = 1/2", 3/4", 1" KØ
V = 3/4", 1", 1-1/4", 1-1/2" KØ

 imagination at work

TL412R250GF
OUTLINE DRAWING

DWG NO.	DATE	REV
265A6315SH8	03/13/19	01