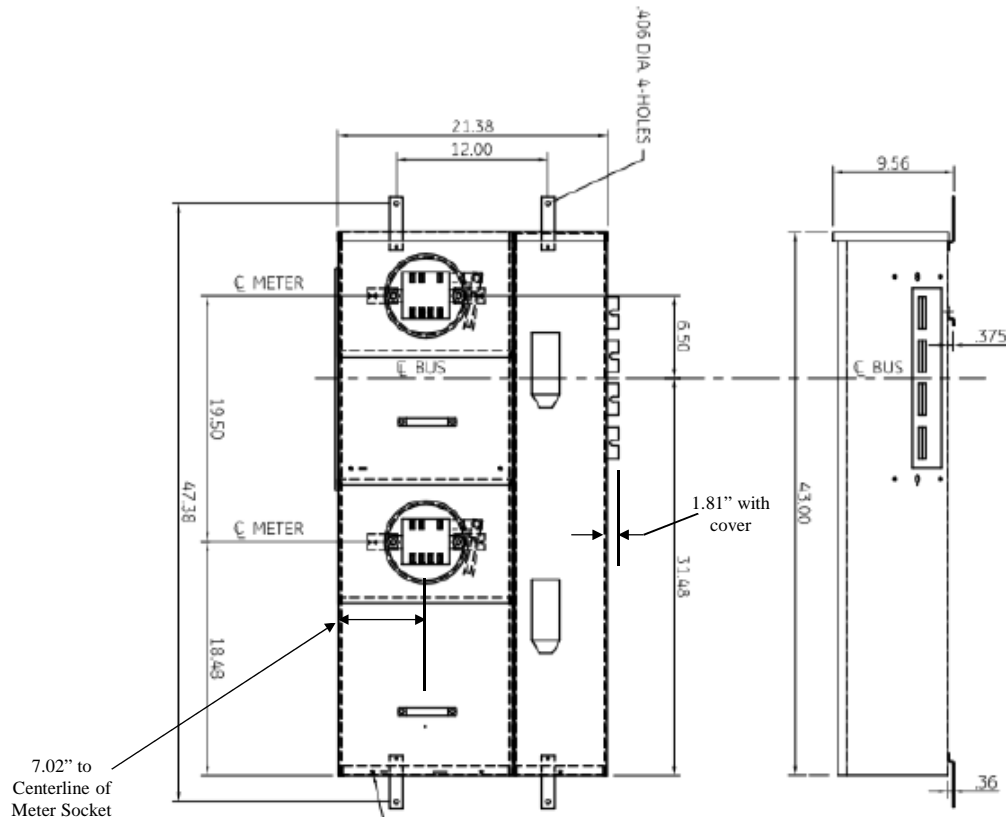


Front View

Side View



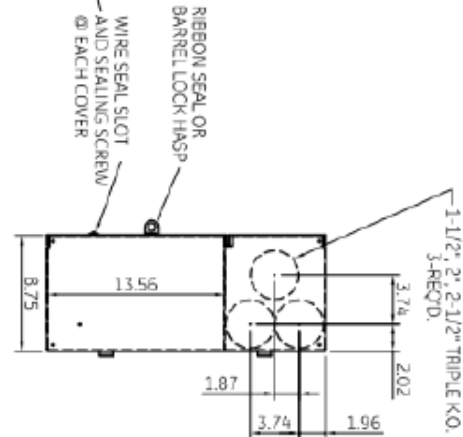
This unit has ring type safety sockets

This unit comes with 5-jaw (5 terminal) metering factory installed (no kit required)

This unit is EUSERC rated

Top view has blank end walls (no knockouts)

Bottom View



imagination at work

METER MOD III-1PH 1200A HORIZONTAL BUSSING N3R ENCL
(2) 200A RING SOCKET PHASED AC - 5 TERMINAL

| REF NO | CAT NO | DWG DATE | REV # |
|---------|---------------|----------|-------|
| 96-3360 | TMP112220RTAC | 1/8/2015 | 01 |