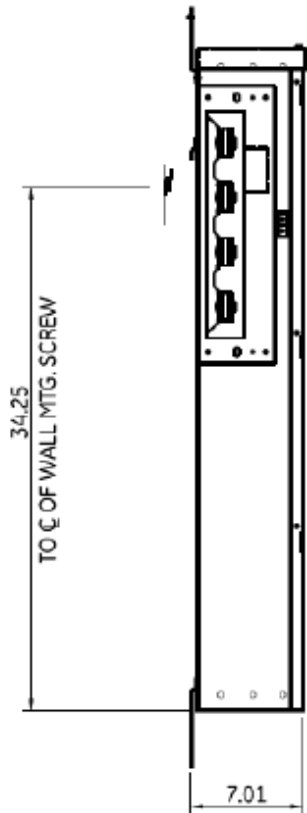
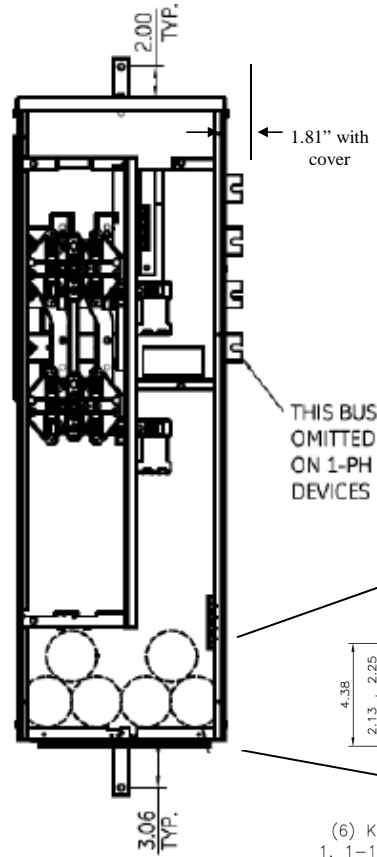


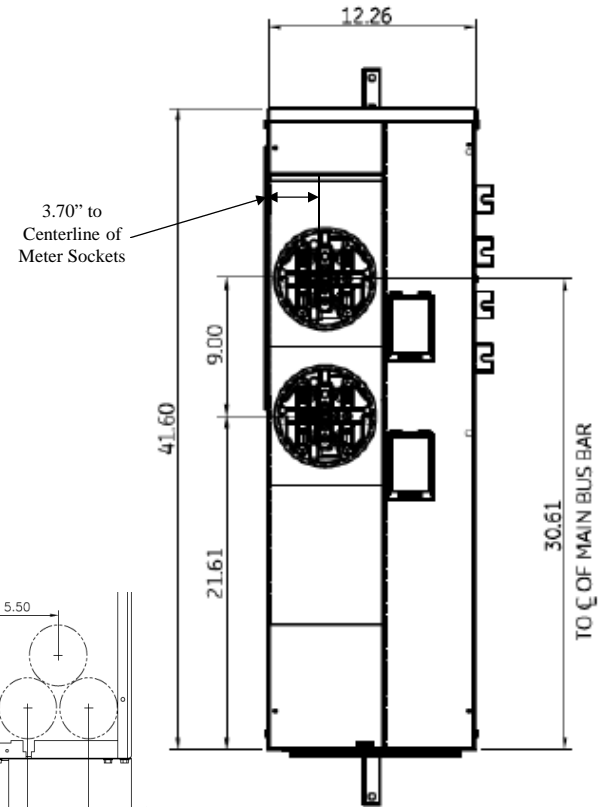
Side View



Front View



Front Layout View

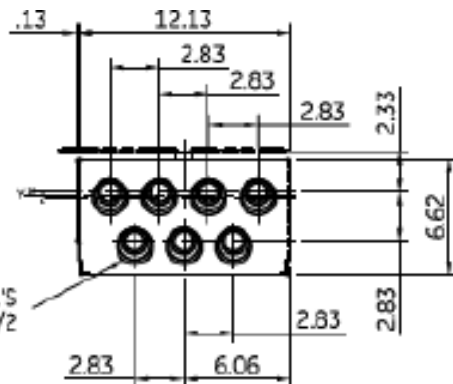


Top view has blank end walls (no knockouts)

Bottom View

Z =  $\phi$  OF 1-1/2" RING  
 Y =  $\phi$  OF 1-1/4" RING  
 X =  $\phi$  OF 3/4" & 1" RING

TANGENTIAL K.O.'S  
 3/4, 1, 1-1/4, 1-1/2



(6) KO FOR  
 1, 1-1/4, 1-1/2  
 CONDUIT



imagination at work

METER MOD III-1PH 1200A HORIZONTAL BUSSING  
 (2) 125A RING SOCKETS - N3R ENCLOSURE

REF NO	CAT NO	DWG DATE	REV #
96-4356	TMP12212R	1/8/2015	01