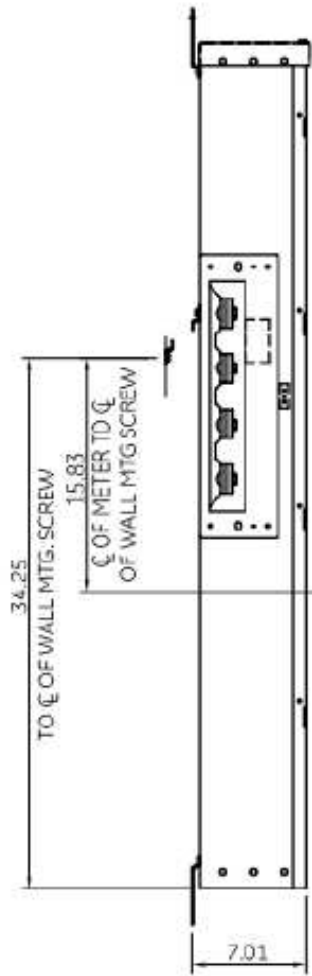
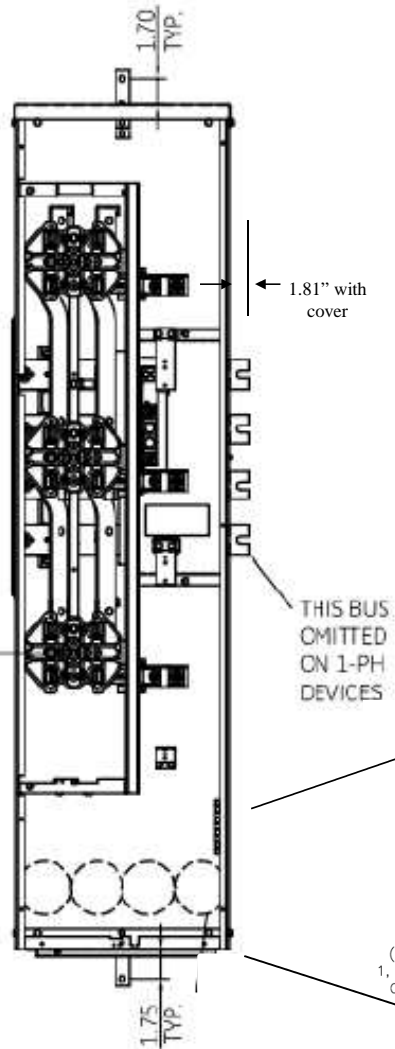


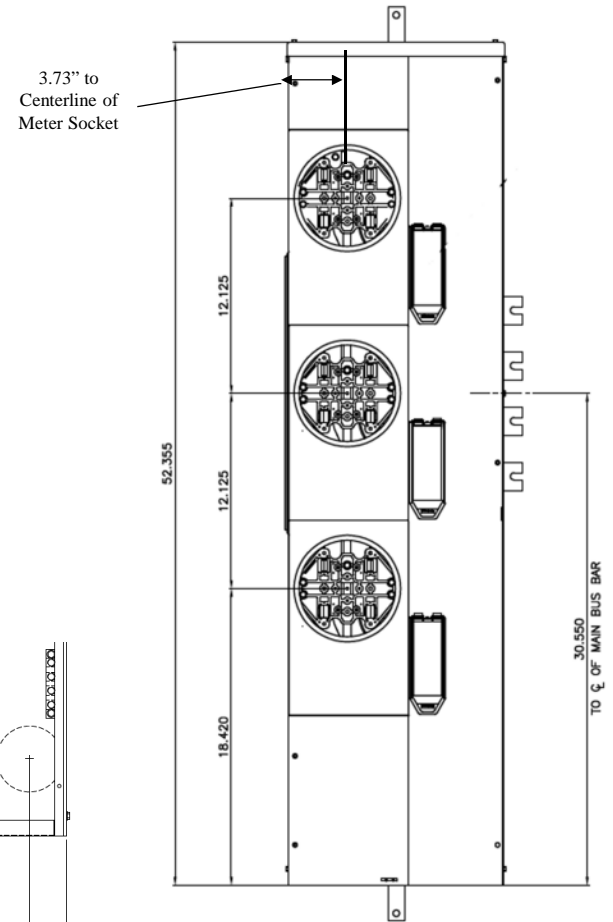
Side View



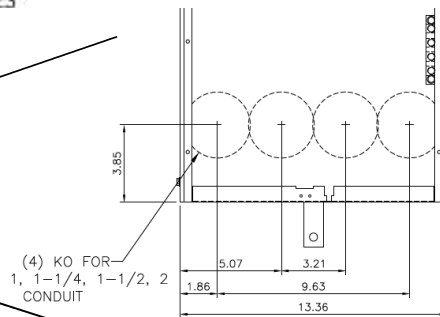
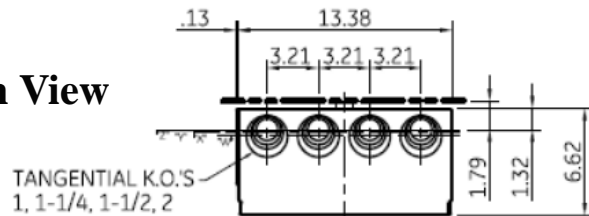
Front View



Front Layout View



Bottom View



"Z" = C OF 1" RING
 "Y" = C OF 1-1/4" RING
 "X" = C OF 1-1/2" RING
 "W" = C OF 2" RING



imagination at work

METER MOD III – 1PH 1200A HORIZONTAL BUSSING
 (3) 200A RING SOCKETS – N3R ENCLOSURE

REF NO	CAT NO	DWG DATE	REV #
96-4357	TMP12320R	1/8/2015	01