

# METER MODULE

Installation and use of this equipment should conform to all local and national electrical codes and regulations.

## Catalog No. TMP312220RT

TYPE 3R ENCLOSURE – RAINPROOF

MAIN BUS – 1200 AMPS. MAX.  
 120/240 VAC 1 PH. – 3W  
 208Y/120 VAC 3 PH. – 4W  
 240/120 VAC 3 PH. – 4W DELTA

Use only GENERAL ELECTRIC Type TQD, THQD, TMQV, TEB, TED, or THED Circuit Breakers.

BRANCH BREAKERS: 225 Amp Max.  
 Meter Socket Rating: 200 Amp Continuous

Use with TMP Main Switch, Main Breaker, Main Lug, or Meter Modules.

### Meets EUSERC

SUITABLE FOR USE AS SERVICE EQUIPMENT WHEN USED WITH TMP MAIN LUG MODULES AND WHEN NOT MORE THAN SIX MAIN DISCONNECTING MEANS ARE PROVIDED.

**TORQUE MAIN BUS JOINT BOLTS 25 LBS-FT. (300 LBS-IN)**

USE 60/75°C AL. OR CU. WIRE

#### LUG SPECIFICATIONS

Function	Wire Size Cu-Al AWG/MCM	Torque Lb.-ins.	
Neutral	(2) 1/0-300	200	
Equipment Ground	(2) {	14-10	35
		8	40
		6-4	45
		3-2/0	50

Torque Breaker Lugs to value specified on breaker.

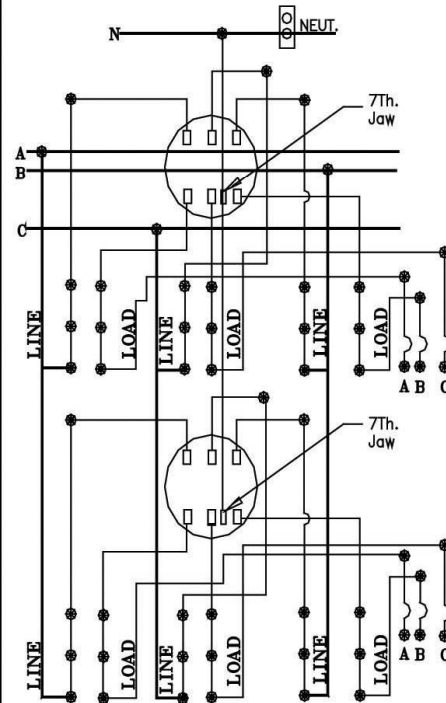
#### RAINTIGHT HUBS

Conduit Size	Catalog No.
1/2	343L647G3
3/4	343L647G4
1	343L647G5
1-1/4	343L647G6
1-1/2	343L647G7
2	343L647G8
2-1/2	343L647G9
3	343L647G10
3-1/2	343L647G11
4	343L647G12

Suitable for Top or Bot. feed. For Top feed order Raintight Hubs from table above.

#### REPLACEMENT PARTS

TENANT BREAKER COVER	TMBC20
BREAKER MOUNTING KIT	TMTQD3
HARDWARE KIT	TMP3SK



"B" IS HIGH LEG (POWER LEG)  
 FOR 3PH.-4W DELTA SYSTEM

EQUIPMENT GROUND

TYPICAL DIAGRAM

GENERAL  ELECTRIC