

METER MODULE

Installation and use of this equipment should conform to all local and national electrical codes and regulations.

Catalog No. TMP312320RT

TYPE 3R ENCLOSURE - RAINPROOF

MAIN BUS - 1200 AMPS. MAX.

120/240 VAC 1 PH. - 3W

208Y/120 VAC 3 PH. - 4W

240/120 VAC 3 PH. - 4W DELTA

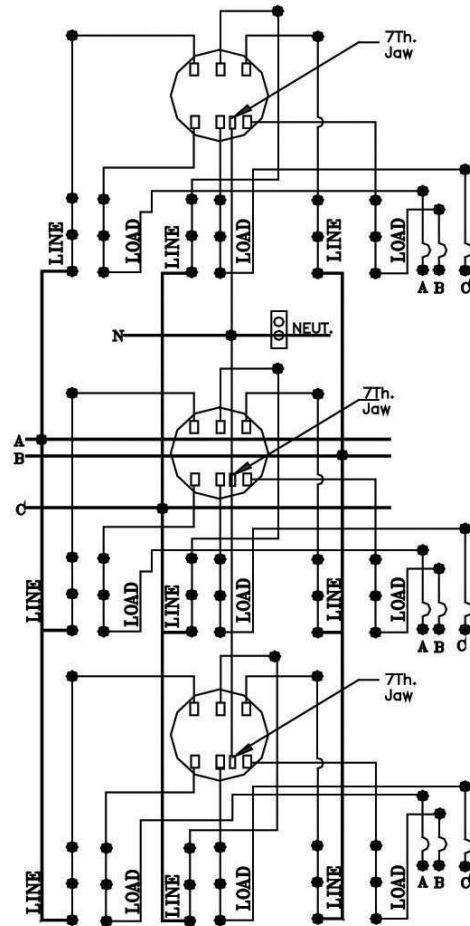
BRANCH BREAKERS: 225 Amp Max.

Meter Socket Rating: 200 Amp Continuous

Use only GENERAL ELECTRIC Type TQD, THQD, TMQV, TEB, TED, or THED Circuit Breakers.

Use with TMP Main Switch, Main Breaker, Main Lug, or Meter Modules.

Meets EUSERC



"B" IS HIGH LEG (POWER LEG)
FOR 3PH.-4W DELTA SYSTEM

EQUIPMENT GROUND

TYPICAL DIAGRAM

SUITABLE FOR USE AS SERVICE EQUIPMENT WHEN USED WITH TMP MAIN LUG MODULES AND WHEN NOT MORE THAN SIX MAIN DISCONNECTING MEANS ARE PROVIDED.

**TORQUE MAIN BUS JOINT
BOLTS 25 LBS-FT. (300 LBS-IN)**

**USE 60/75°C AL. OR CU. WIRE
LUG SPECIFICATIONS**

Function	Wire Size Cu-Al AWG/MCM	Torque Lb.-ins.	
Neutral	(2) 1/0-300	200	
Equipment Ground	(2) {	14-10	35
		8	40
		6-4	45
		3-2/0	50

Torque Breaker Lugs to value specified on breaker.

RAINTIGHT HUBS

Conduit Size	Catalog No.
1/2	343L647G3
3/4	343L647G4
1	343L647G5
1-1/4	343L647G6
1-1/2	343L647G7
2	343L647G8
2-1/2	343L647G9
3	343L647G10
3-1/2	343L647G11
4	343L647G12

Suitable for Top or Bot. feed. For Top feed order Raintight Hubs from table above.

REPLACEMENT PARTS

TENANT BREAKER COVER	TMBC20
BREAKER MOUNTING KIT	TMTQD3
HARDWARE KIT	TMP3SK

GENERAL ELECTRIC

Rev.2

Pub. 22644

MADE IN U.S.A.

E8741