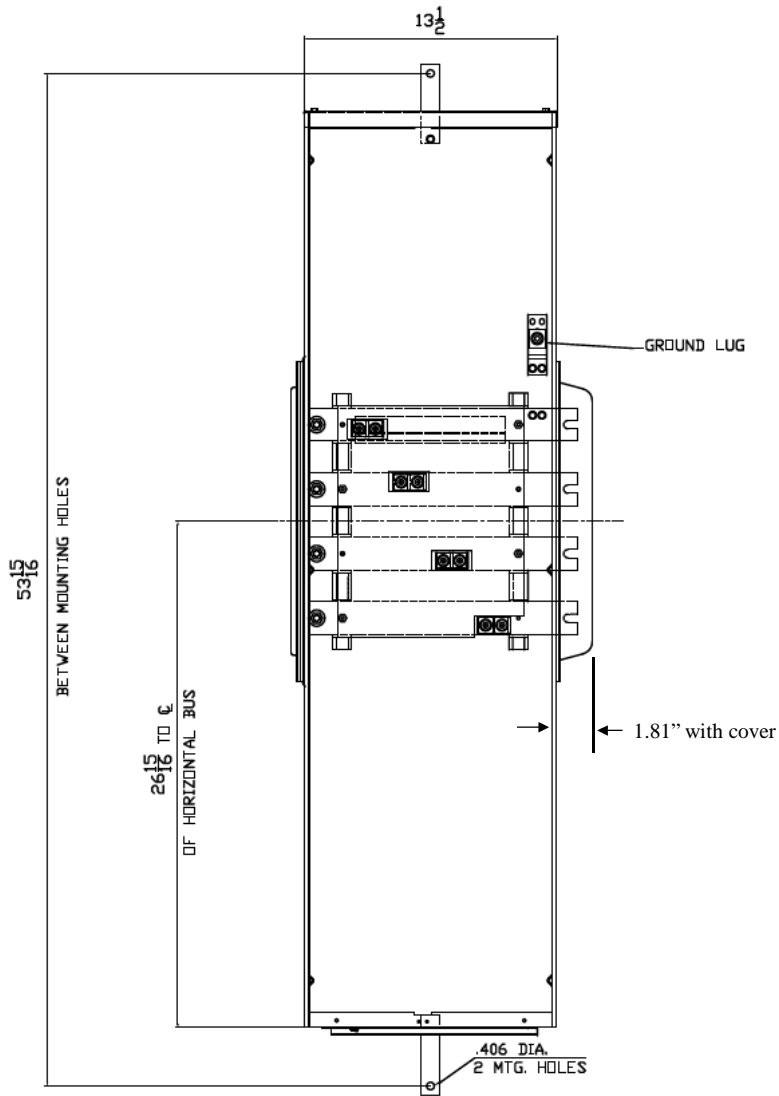
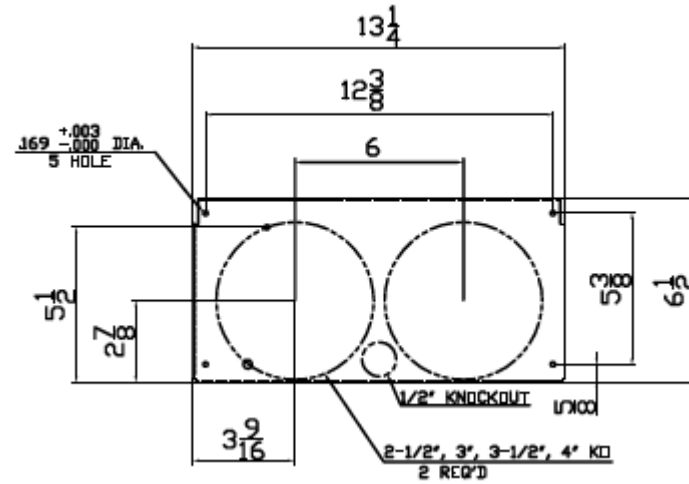


Front View



Bottom View



This unit has copper bussing

Incoming Cable Sizes:

- (1) #6- 600MCM per Ph/Neutral (AL/CU)
- or-
- (2) 1/0-250MCM per Ph/Neutral (AL/CU)



imagination at work

METER MOD III-400A MAIN LUG SECTION N3R ENCL
100KAIC 3PH 4W 208Y/120V TOP/BOTTOM FEED COPPER BUS

REF NO	CAT NO	DWG DATE	REV #
96-5704	TMP3L4RCU	1/8/2015	01