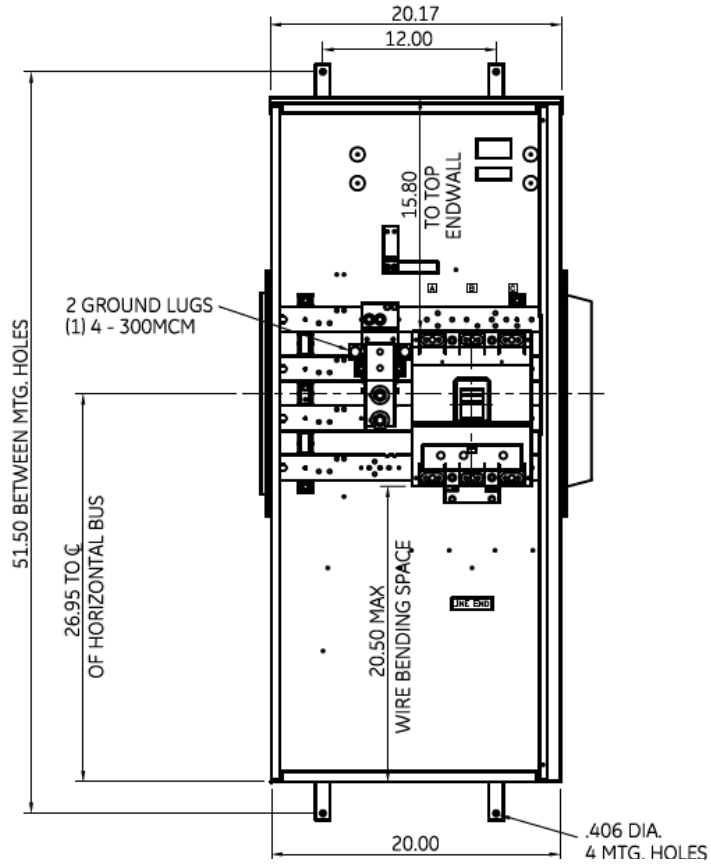
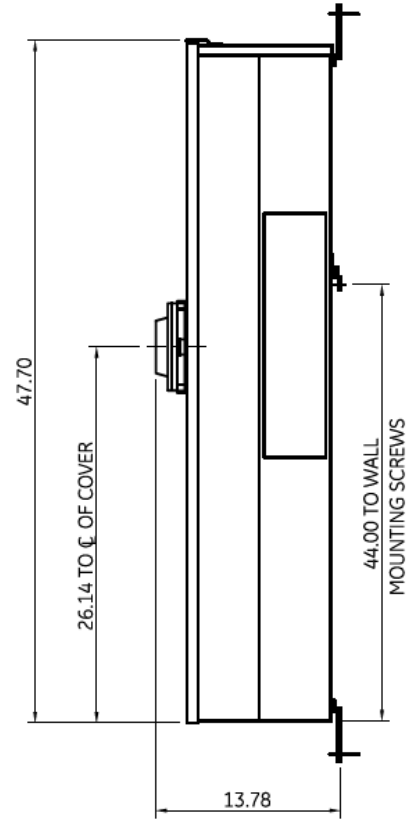


Front View

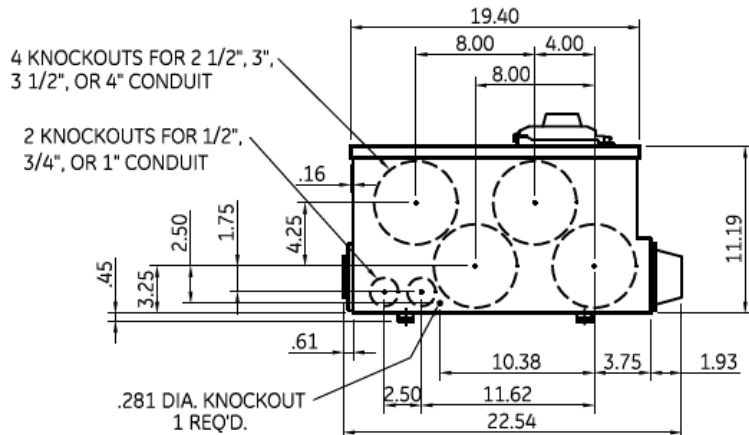


Side View



Incoming Cable Sizes:

- Phase (AL): (2) 2/0-500MCM/ Phase
-or-
(1) #6-600MCM/Phase
- Phase (CU): (2) 2/0-400MCM/Phase
-or-
(1) # 6-600MCM/Phase
- Neutral (AL/CU): (2) #2-600MCM



Bottom View



imagination at work

METER MOD III-400A MAIN BREAKER SECT N3R ENCL
100KAIC 3PH 4W 208Y/120V TOP/BOTTOM FEED

REF NO	CAT NO	DWG DATE	REV #
96-2558	TMP3SHB4R	1/8/2015	01