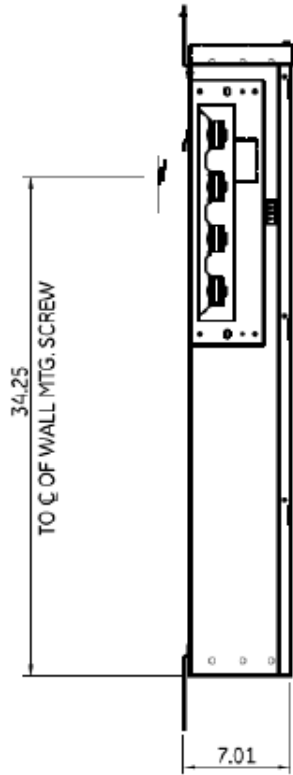
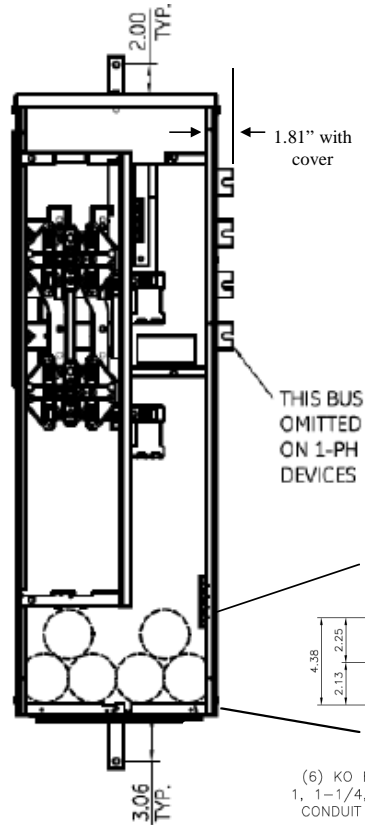


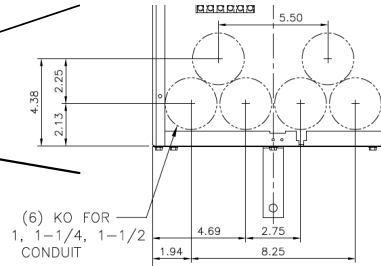
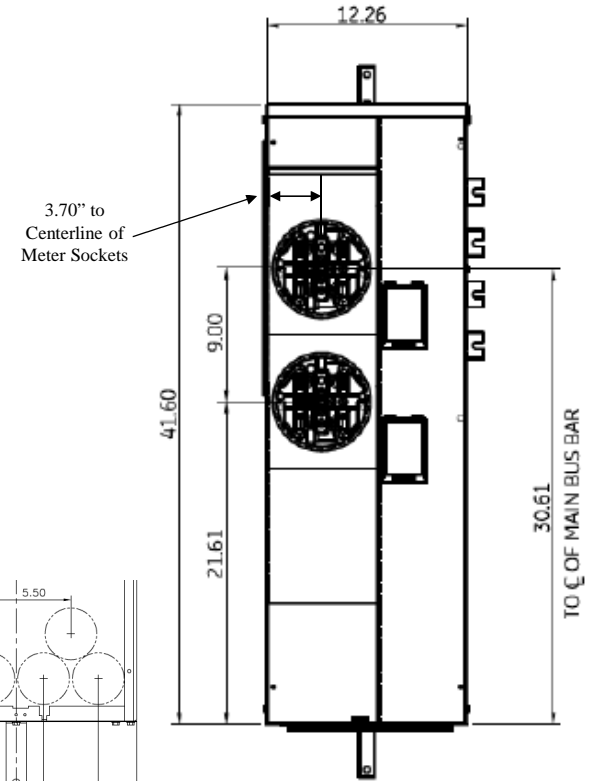
**Side View**



**Front View**



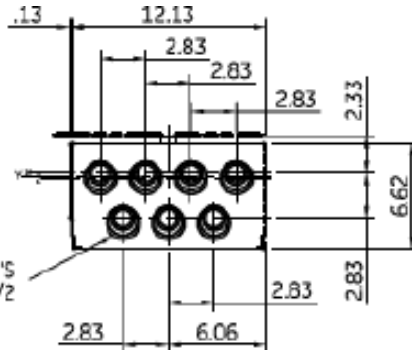
**Front Layout View**



**Bottom View**

Z=C OF 1-1/2" RING  
Y=C OF 1-1/4" RING  
X=C OF 3/4" & 1" RING

TANGENTIAL K.O.'S  
3/4, 1, 1-1/4, 1-1/2



**Notes:**

These are MEG approved units have an additional cotter pin that keeps the meter socket from detaching from the base

Top view has blank end walls (no knockouts)



imagination at work

METER MOD III – 1PH 800A HORIZONTAL BUSSING  
(2)125A RING SOCKETS–N3R ENCLOSURE-MEG APPROVED

REF NO	CAT NO	DWG DATE	REV #
96-4356	TMP8212RF	1/8/2015	01