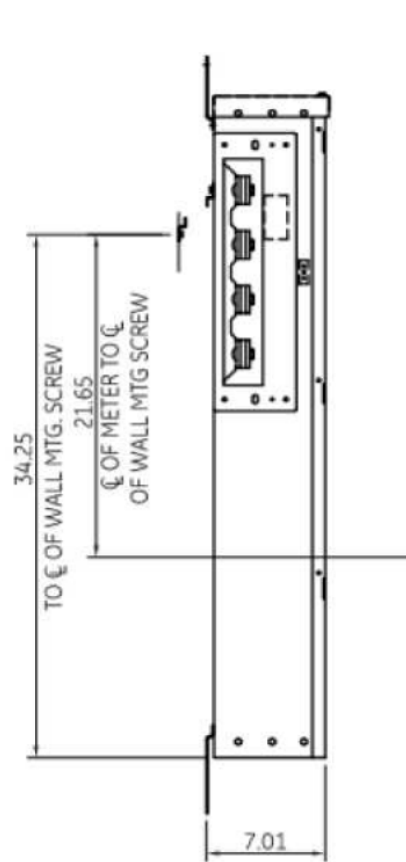
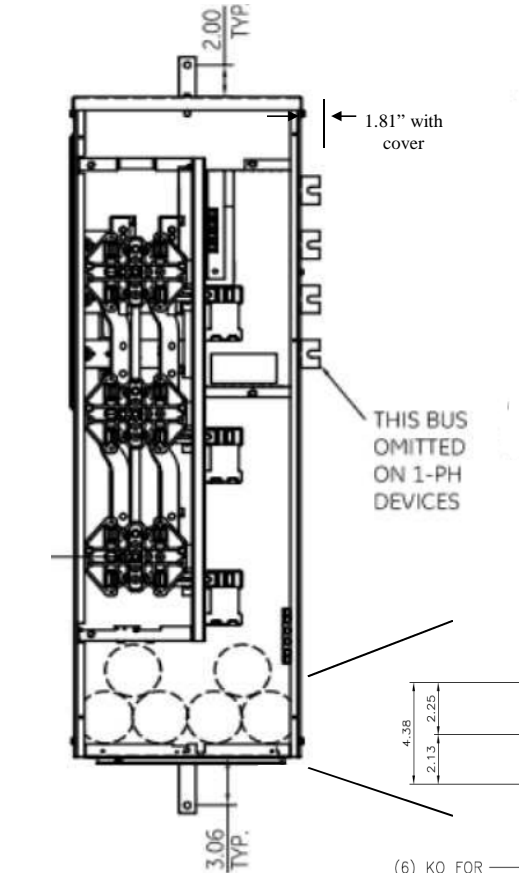


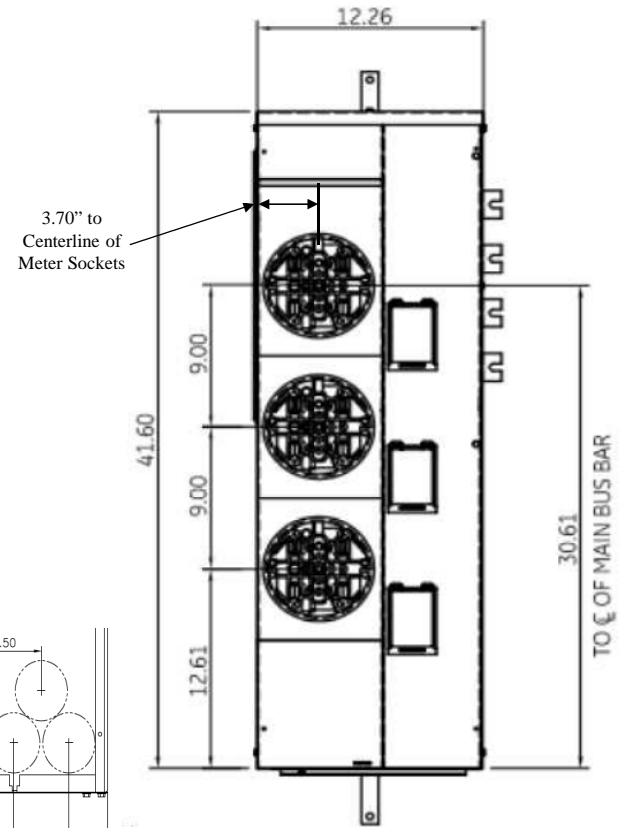
**Side View**



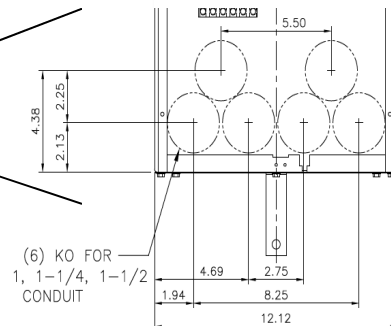
**Front View**



**Front Layout View**



Top view has blank end walls (no knockouts)

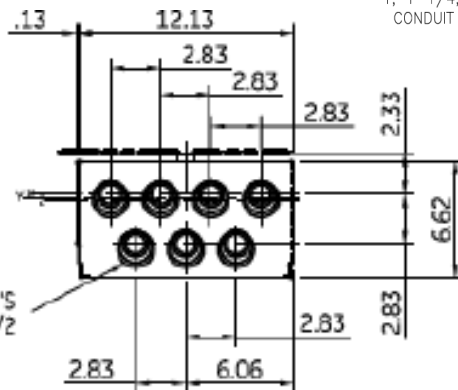


(6) KO FOR  
1, 1-1/4, 1-1/2  
CONDUIT

**Bottom View**

Z = C OF 1-1/2" RING  
Y = C OF 1-1/4" RING  
X = C OF 3/4" & 1" RING

TANGENTIAL K.O.'S  
3/4, 1, 1-1/4, 1-1/2



imagination at work

METER MOD III – 1PH 800A HORIZONTAL BUSSING  
(3) 125A RING SOCKETS – N3R ENCLOSURE

REF NO	CAT NO	DWG DATE	REV #
96-4356	TMP8312R	1/8/2015	01