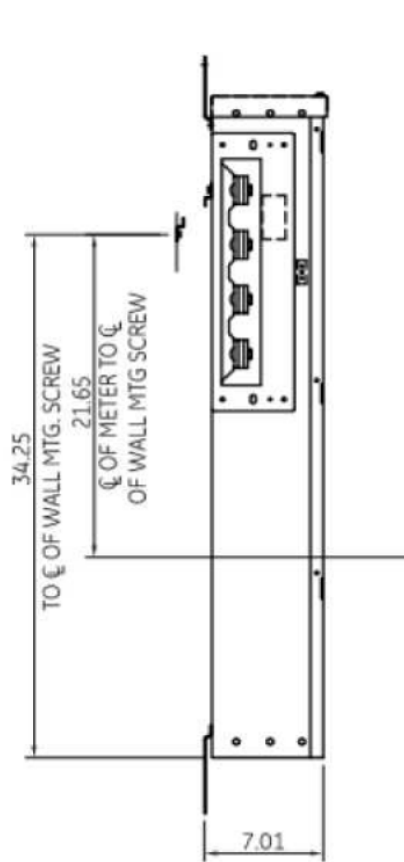
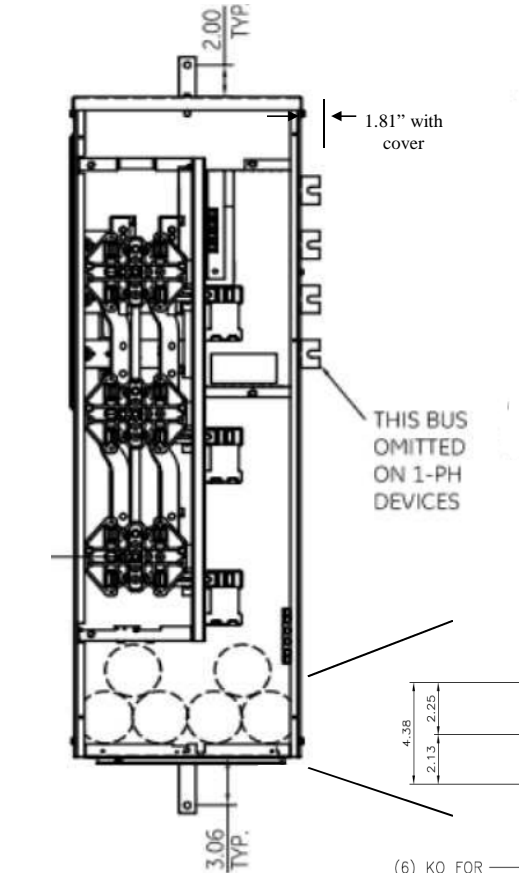


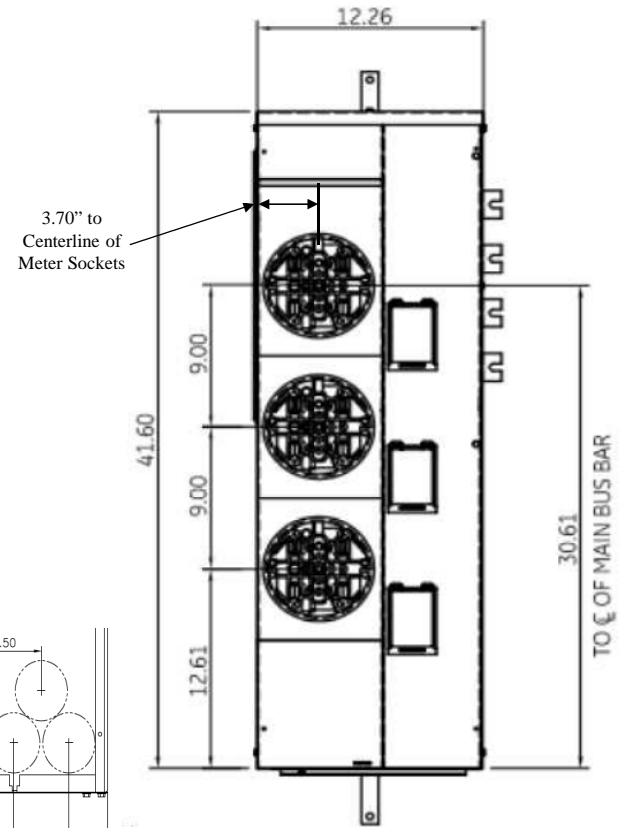
Side View



Front View



Front Layout View

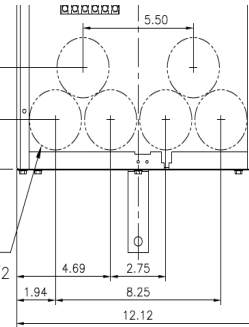


**Notes:**

These are MEG approved units have an additional cotter pin that keeps the meter socket from detaching from the base

Top view has blank end walls (no knockouts)

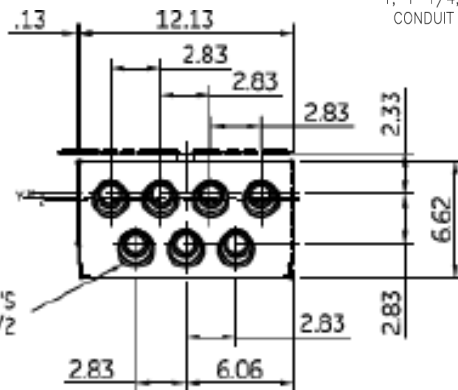
(6) KO FOR  
1, 1-1/4, 1-1/2  
CONDUIT



Bottom View

Z =  $\bar{C}$  OF 1-1/2" RING  
Y =  $\bar{C}$  OF 1-1/4" RING  
X =  $\bar{C}$  OF 3/4" & 1" RING

TANGENTIAL K.O.'S  
3/4, 1, 1-1/4, 1-1/2



imagination at work

METER MOD III - 1PH 800A HORIZONTAL BUSSING  
(3)125A RING SOCKETS-N3R ENCLOSURE-MEG APPROVED

REF NO	CAT NO	DWG DATE	REV #
96-4356	TMP8312RF	1/8/2015	01