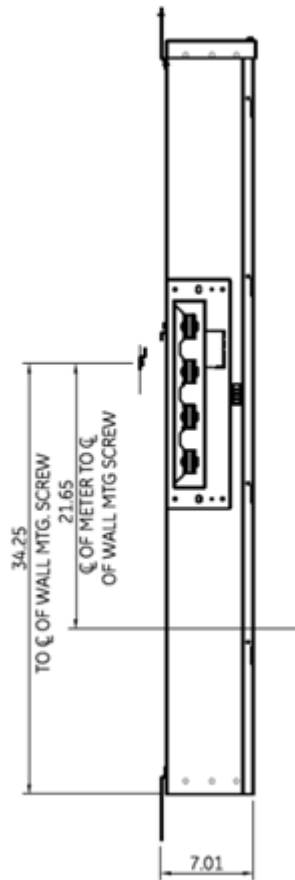
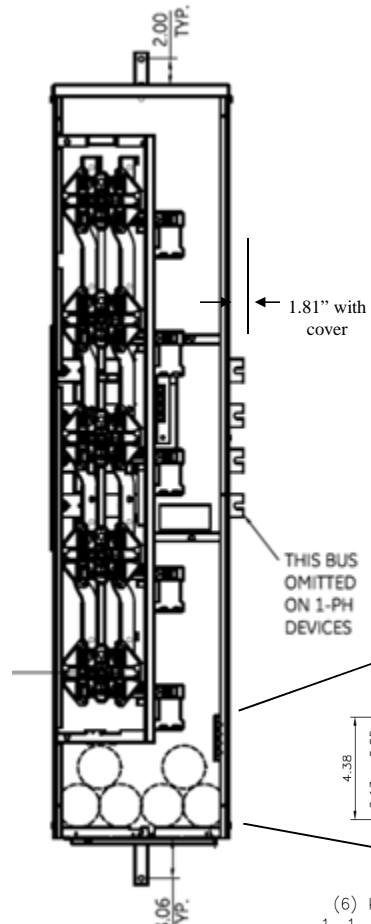


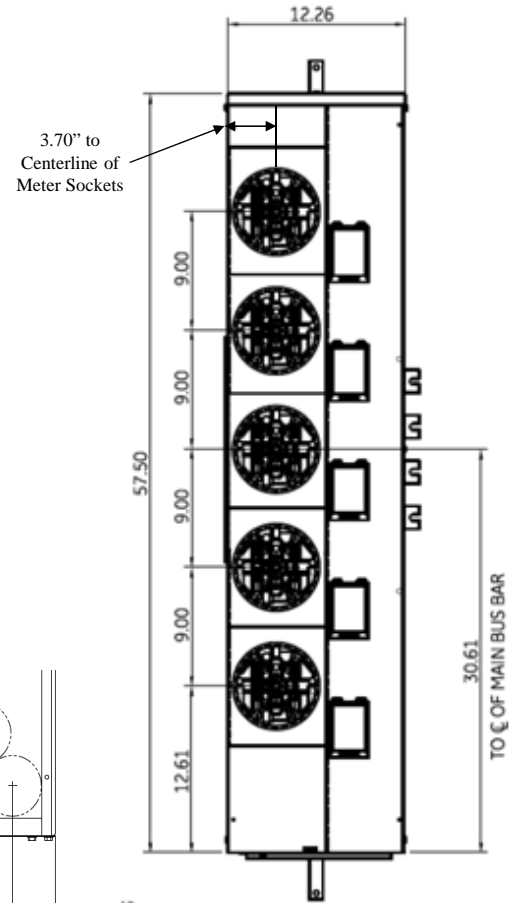
Side View



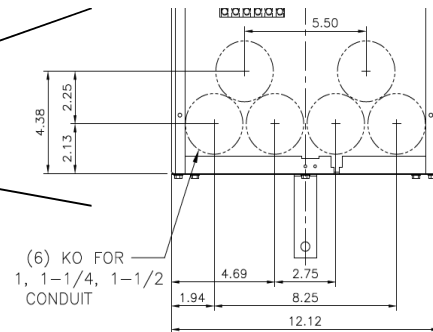
Front View



Front Layout View



Top view has blank end walls (no knockouts)

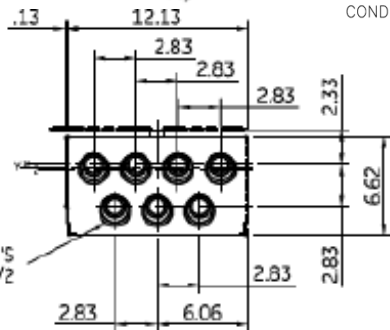


(6) KO FOR 1, 1-1/4, 1-1/2 CONDUIT

Bottom View

Z=C OF 1-1/2" RING  
Y=C OF 1-1/4" RING  
X=C OF 3/4" & 1" RING

TANGENTIAL K.O.'S 3/4, 1, 1-1/4, 1-1/2



imagination at work

METER MOD III – 1PH 800A HORIZONTAL BUSSING  
(5) 125A RING SOCKETS – N3R ENCLOSURE

REF NO	CAT NO	DWG DATE	REV #
96-4356	TMP8512R	1/8/2015	01