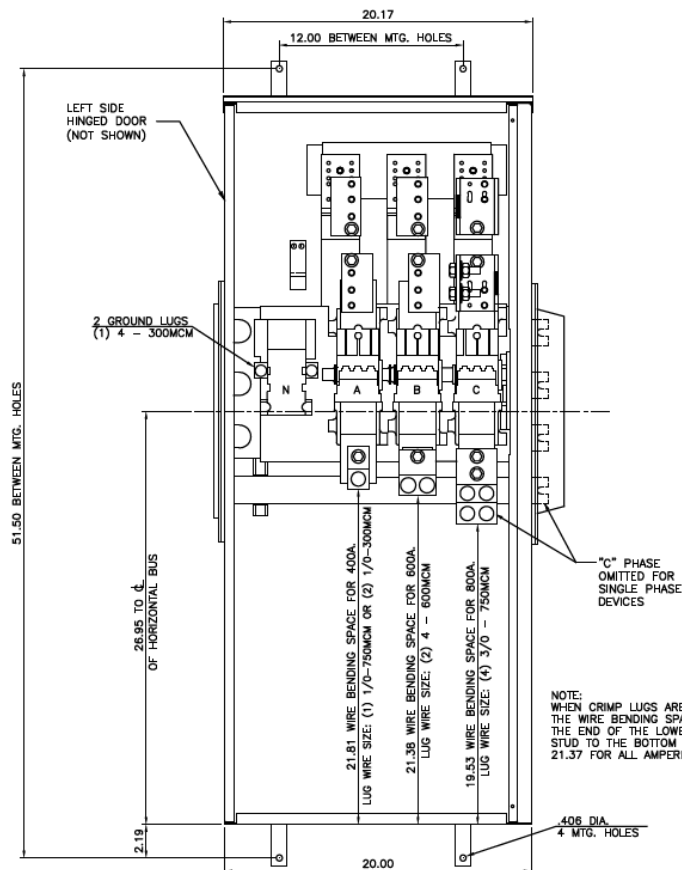
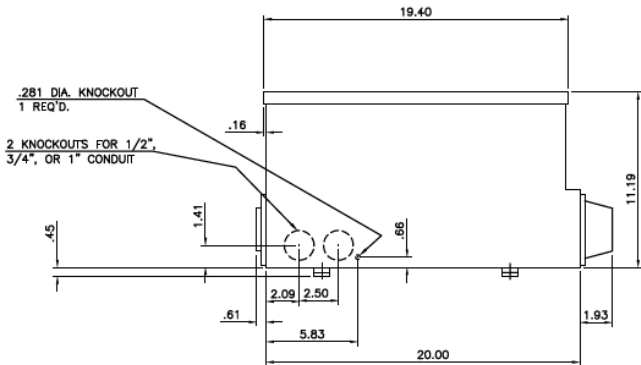
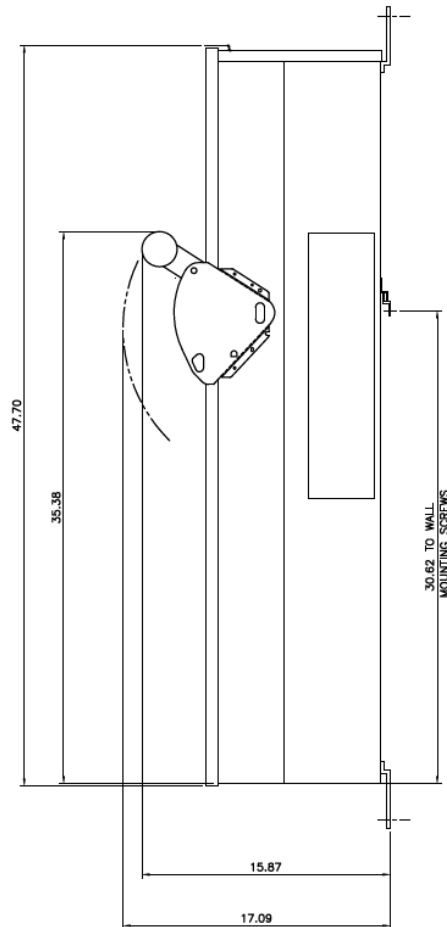


Front View



This unit uses only Class T fuses

Side View



Incoming Cable Sizes:

- (1) 1/0-750MCM per Ph/Neutral (AL/CU)
- or-
- (2) 1/0-300MCM per Ph/Neutral (AL/CU)

Bottom View



imagination at work

METER MOD III-400A MAIN FUSIBLE SWITCH N3R ENCL
100KAIC 1PH 3W 120/240V BOTTOM ONLY FEED

REF NO	CAT NO	DWG DATE	REV #
96-2504	TMPFB4R	1/8/2015	01