

METER MODULE

CATALOG NO. TMPR12122R

TYPE 3R ENCLOSURE — RAINPROOF

MAIN BUS — 1200 AMPS MAX
120/240 VAC 1 PH — 3W
208Y/120 VAC 3 PH — 4W

BRANCH BREAKERS:
TYPE TMQV — 225 AMPS MAX.
TYPE THQD — 200 AMPS MAX.
TYPE TQD — 200 AMPS MAX.

METER SOCKET RATING:
200 AMPS CONTINUOUS

USE WITH TMP MAIN SWITCH,
MAIN BREAKER, MAIN LUG,
OR METER MODULES

USE ONLY GENERAL ELECTRIC
TYPE TQD, THQD, TMQD, TEB, TED,
OR THED CIRCUIT BREAKERS.

SUITABLE FOR USE AS SERVICE
EQUIPMENT WHEN USED WITH
TMP MAIN LUG MODULES AND
WHEN NOT MORE THAN SIX
MAIN DISCONNECTING MEANS
ARE PROVIDED.

**TORQUE MAIN BUS JOINT BOLTS
TO 300 LB-IN**

RAINTIGHT HUBS

CONDUIT SIZE	CATALOG NUMBER	CONDUIT SIZE	CATALOG NUMBER
1/2	343L647G3	2	343L647G8
3/4	343L647G4	2-1/2	343L647G9
1	343L647G5	3	343L647G10
1-1/4	343L647G6	3-1/2	343L647G11
1-1/2	343L647G7	4	343L647G12

SUITABLE FOR TOP OR BOTTOM FEED. FOR TOP
FEED, USE RRAINTIGHT HUBS PER TABLE ABOVE.

USE 60/75°C AL-CU WIRE

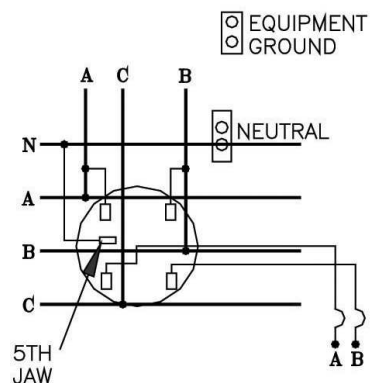
LUG SPECIFICATIONS

FUNCTION	WIRE SIZE AL-CU AWG/MCM	TORQUE LB-IN
NEUTRAL	(2) 1/0-300	200
EQUIPMENT GROUND	(2) $\left\{ \begin{array}{l} 6-4 \\ 3-2/0 \end{array} \right.$	$\left\{ \begin{array}{l} 45 \\ 50 \end{array} \right.$

TORQUE BREAKER LUGS TO THE VALUE
SPECIFIED ON BREAKERS.

REPLACEMENT PARTS

METER SOCKET	TMSR22
METER SOCKET COVER	TMCR322
TENANT BREAKER COVER	TMBC20
WIREWAY COVER	TMWC3122
DRIP HOOD	TMDH3
KO PLATE — BACK	TMKPB322
KO PLATE — TOP/BOTTOM	TMKPT322
BREAKER MOUNTING KIT	TMTQD3
HARDWARE KIT	TMP3SK



TYPICAL DIAGRAM

GENERAL  ELECTRIC