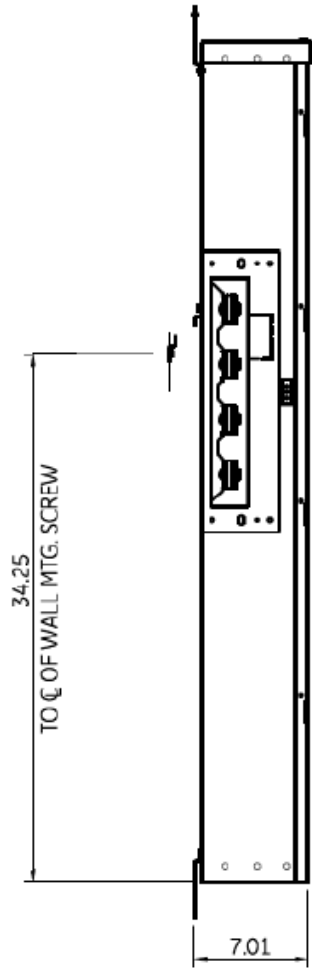
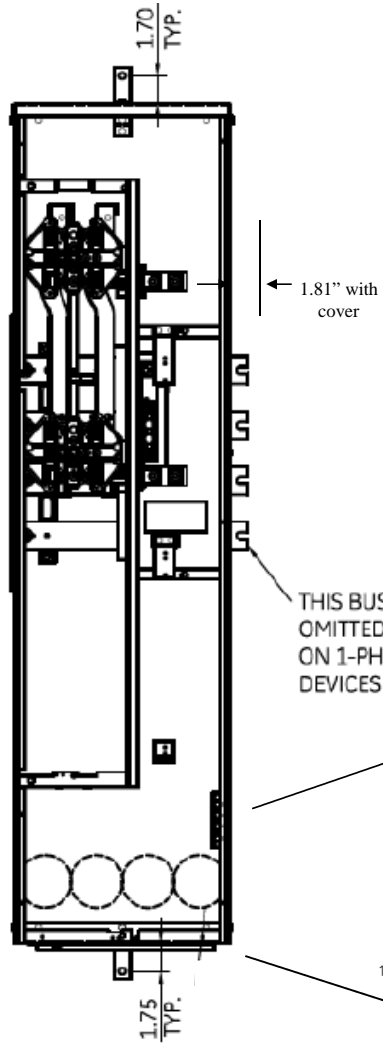


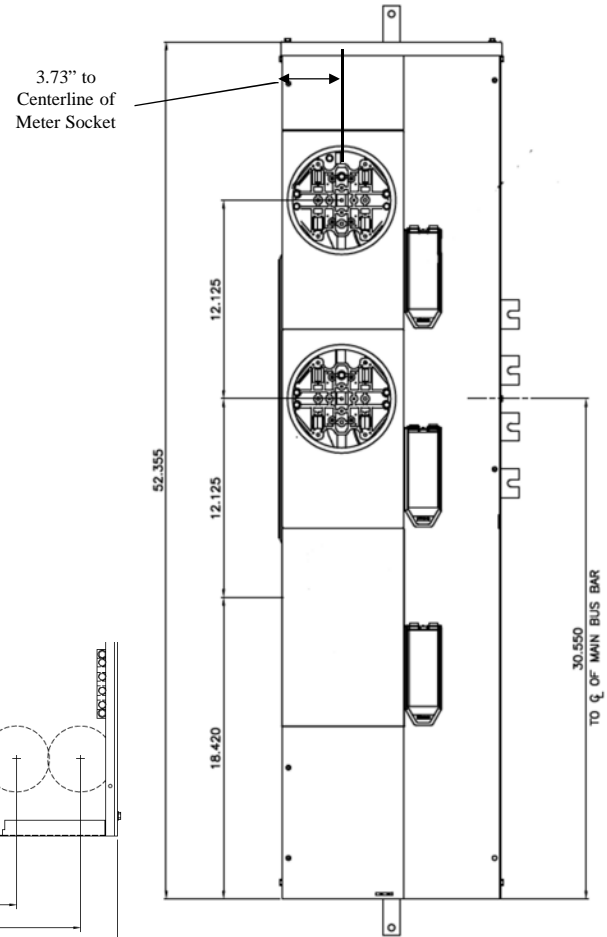
Side View



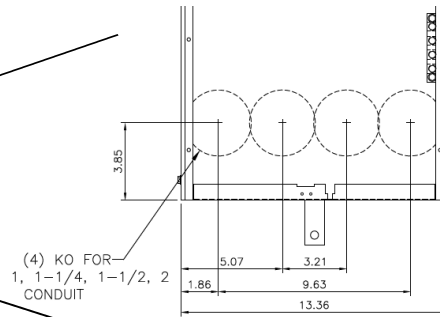
Front View



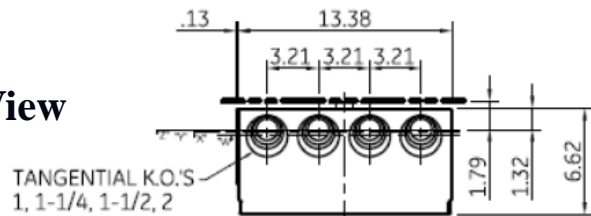
Front Layout View



Top view has blank end walls (no knockouts)



Bottom View



"Z" = C OF 1" RING
 "Y" = C OF 1-1/4" RING
 "X" = C OF 1-1/2" RING
 "W" = C OF 2" RING



imagination at work

METER MOD III – 1PH 1200A HORIZONTAL BUSSING
 (2) 200A RINGLESS SOCKETS – N3R ENCLOSURE

REF NO	CAT NO	DWG DATE	REV #
96-4357	TMPR12220R	1/8/2015	01