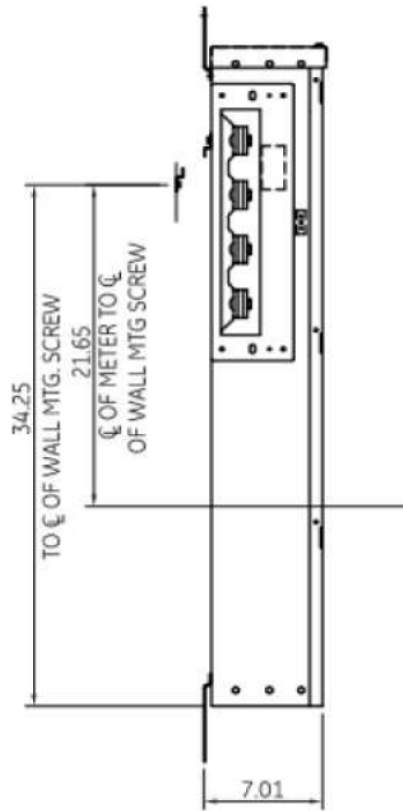
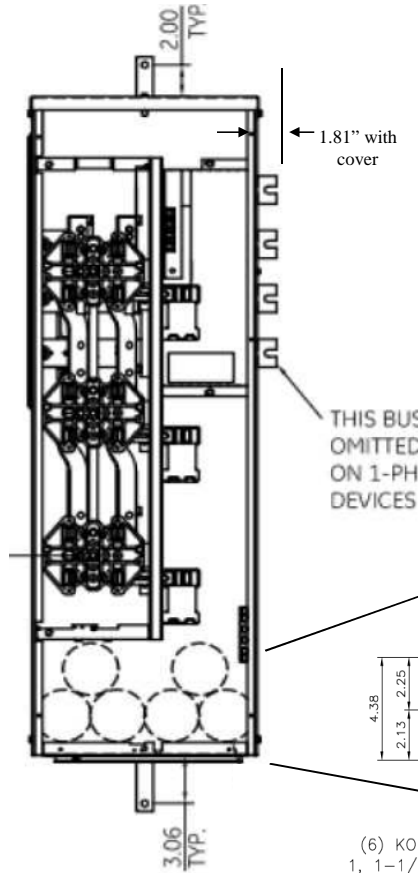


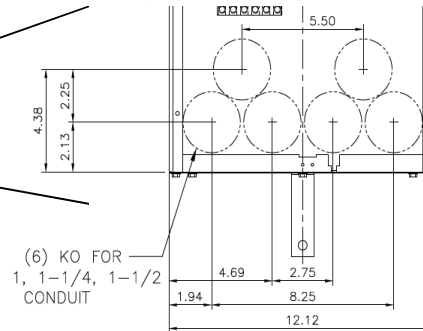
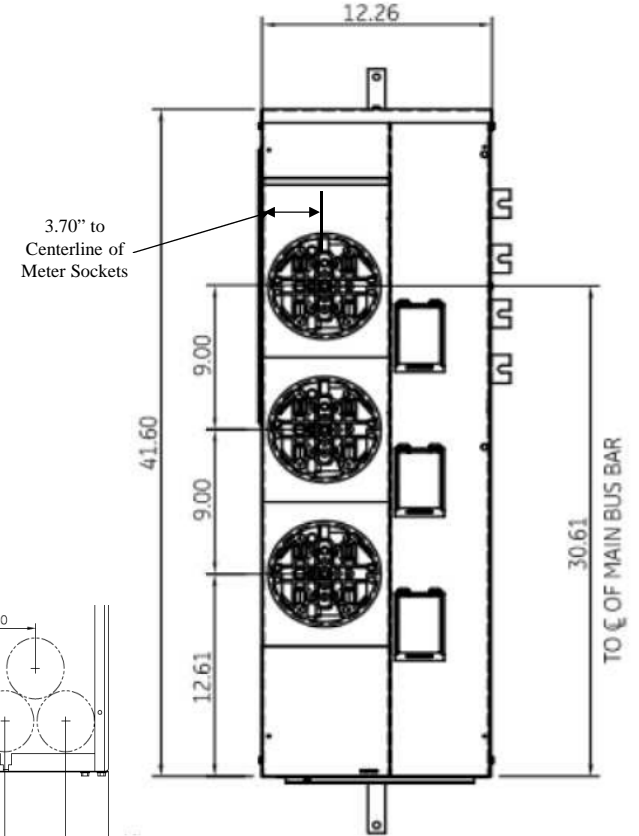
**Side View**



**Front View**



**Front Layout View**

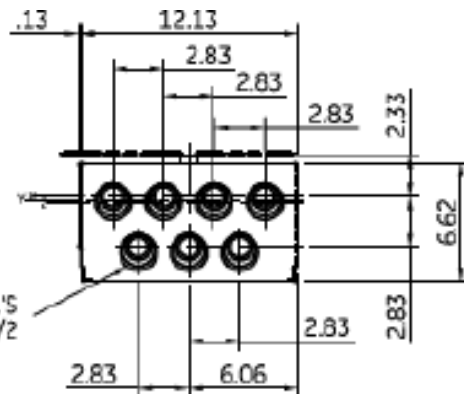


Top view has blank end walls (no knockouts)

**Bottom View**

"Z"=C OF 1-1/2" RING  
 "Y"=C OF 1-1/4" RING  
 "X"=C OF 3/4" & 1" RING

TANGENTIAL K.O.'S  
 3/4, 1, 1-1/4, 1-1/2



imagination at work

METER MOD III-1PH 1200A HORIZONTAL BUSSING  
 (3) 125A RINGLESS SOCKETS - N3R ENCLOSURE

REF NO	CAT NO	DWG DATE	REV #
96-4356	TMPR12312R	1/8/2015	01